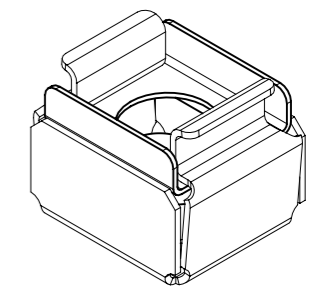
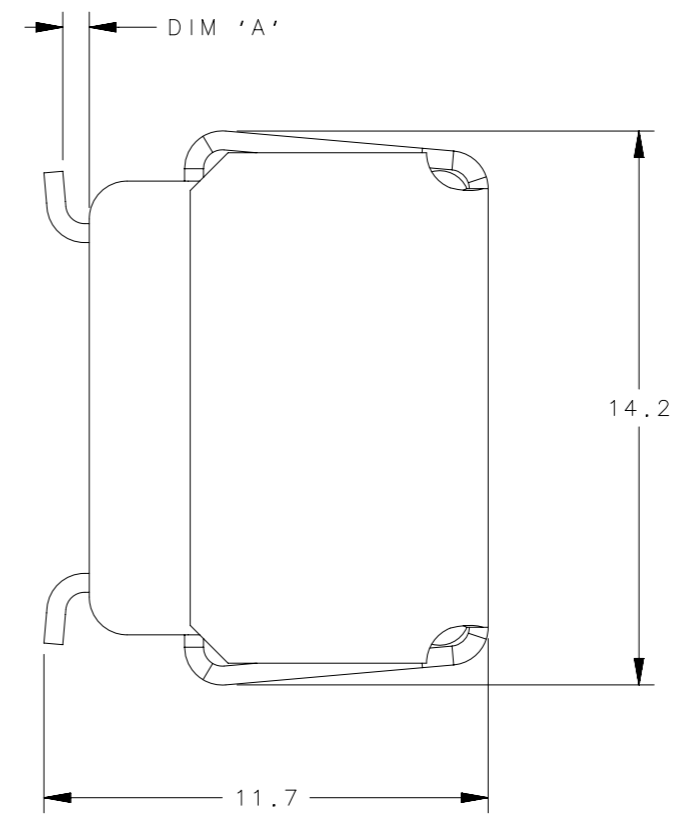
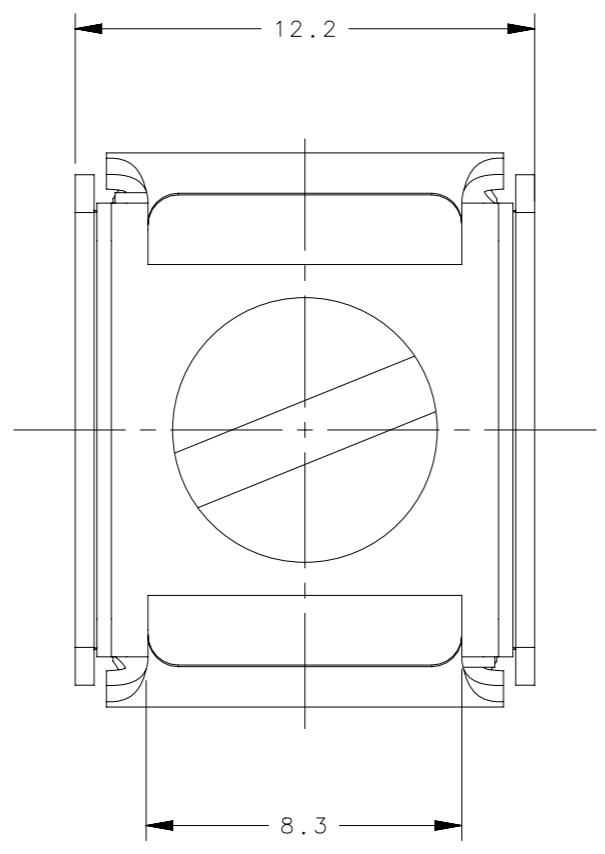
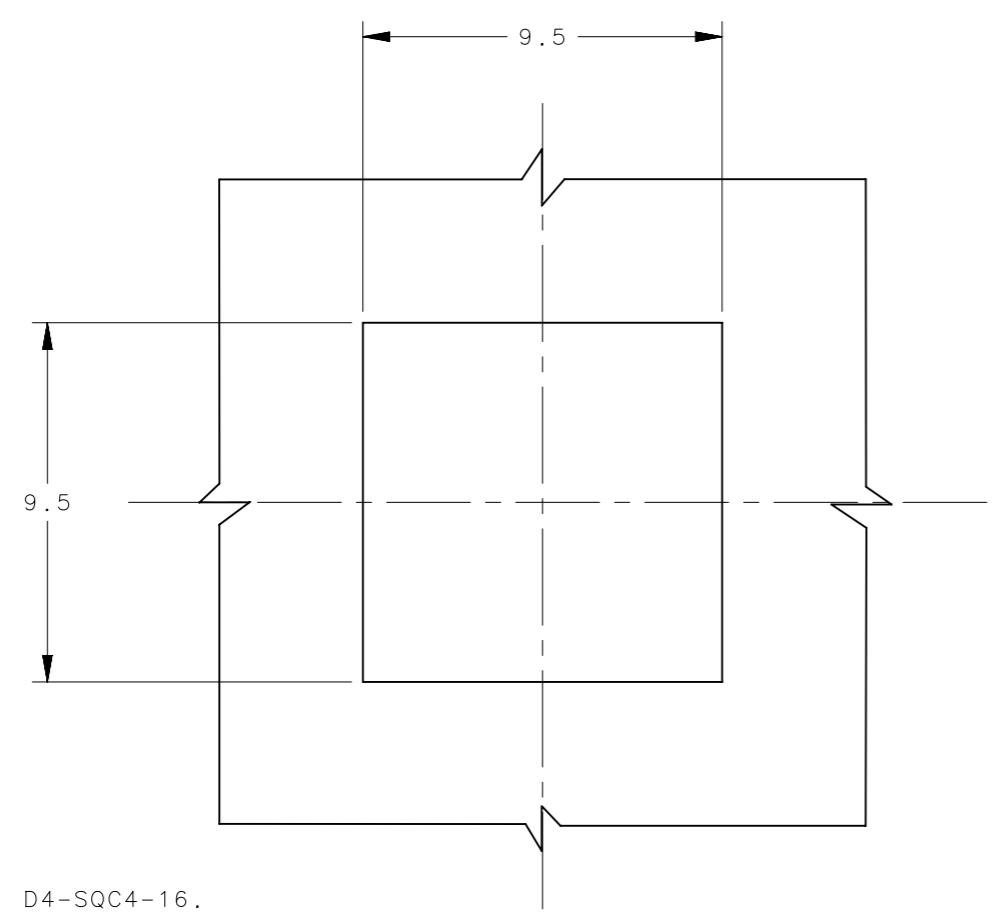


REVISION HISTORY			
REV	DATE	BY	DESCRIPTION
C	18JAN2018	CB1/VK	PRN: P2018-0176



SCALE 2:1



PANEL PREPARATION

D4-SQC4-30	2.29	2.51 - 3.18
D4-SQC4-25	1.70	2.00 - 2.50
D4-SQC4-20	1.24	1.44 - 1.98
D4-SQC4-16	0.64	0.78 - 1.42
PART NUMBER	DIM 'A'	SUPPORT RANGE

NOTE: -
1. PART NUMBER SHOWN: D4-SQC4-16.

D4-SQC4-XXDBS	CAGE	STEEL	ZINC ORGANIC
	SPRING	STEEL WIRE	ZINC ORGANIC
	PLATE	STEEL	ZINC ORGANIC
D4-SQC4-XX	CAGE	STEEL	ZINC PLATE
	SPRING	STEEL WIRE	ZINC PLATE
	PLATE	STEEL	ZINC PLATE
PART NUMBER	COMPONENT	MATERIAL	FINISH

THIRD ANGLE PROJECTION		 CONNECT • CREATE • INNOVATE	
MILLIMETERS [IN]			
TOLERANCES UNLESS OTHERWISE NOTED		DESCRIPTION RECEPTACLE - SQC4	
ALL DIMENSIONS WITHOUT TOLERANCES ARE FOR REFERENCE ONLY.		SIZE A3	SYSTEM NX
PER ASME Y14.5M-1994		DWG NO. J-D4-SQC4-XX	DATE 17NOV2006
DRAWN BY MJW		SCALE 5:1	SHEET 1 OF 1

PROPRIETARY ITEM
EXCEPT FOR USES EXPRESSLY GRANTED
IN WRITING, INFORMATION DISCLOSED
HEREON IS CONFIDENTIAL AND ALL
RIGHTS, PATENT AND OTHERWISE,
ARE RESERVED BY SOUTHCO, INC.