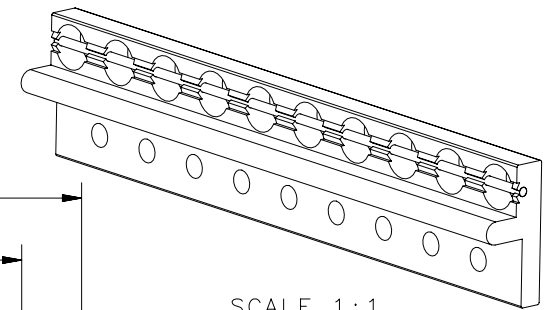


PART NUMBER TABLE

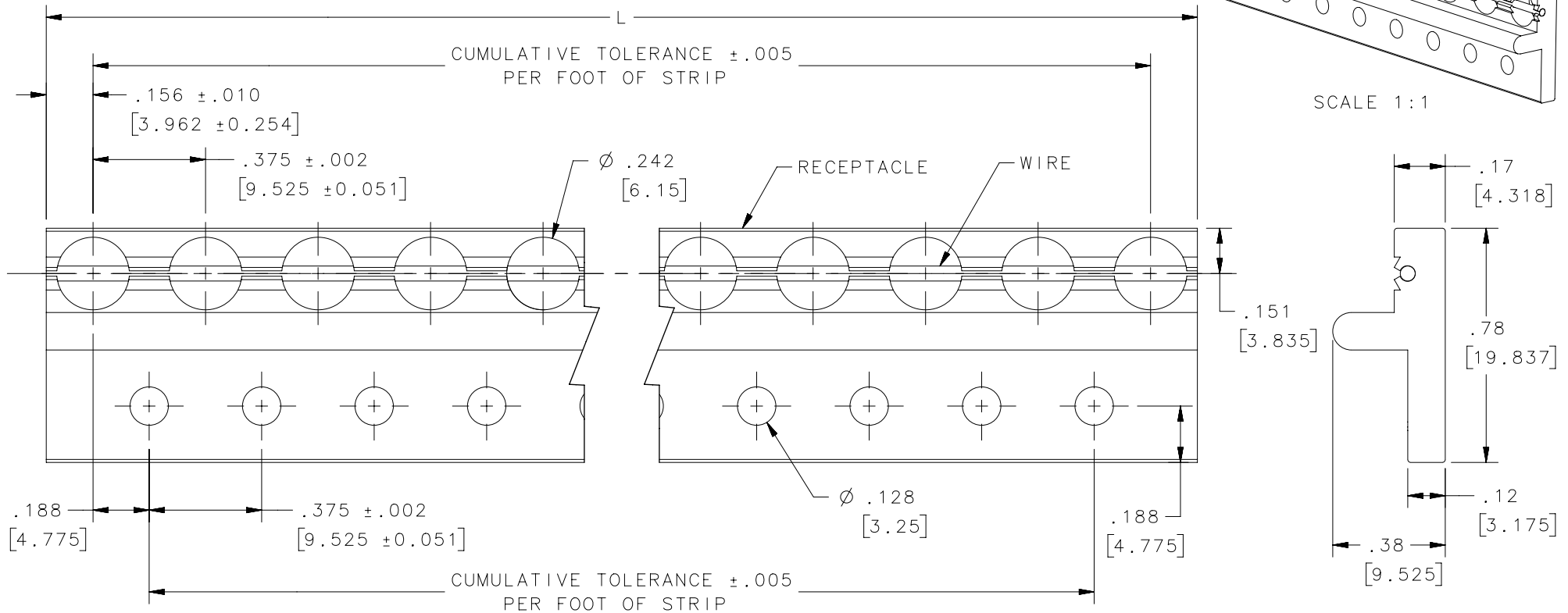
PART NUMBER AEROSPACE CERTIFIED	PART NUMBER	L +.000 -.125 IN	NUMBER OF HOLES
D5-PR35-1QA	D5-PR35-1	10ft/ 3046.4mm	320
D5-PR35-1S9QA	D5-PR35-1S9	9ft/ 2741.6mm	288
D5-PR35-1S7QA	D5-PR35-1S7	7ft/ 2132mm	224
D5-PR35-1S5QA	D5-PR35-1S5	5ft/ 1522.4mm	160
D5-PR35-1S3QA	D5-PR35-1S3	3ft/912.8mm	96

REVISION HISTORY

REV	DATE	BY	DESCRIPTION
E	20JUL2023	PSP/DMS	PRN: P2023-1338



SCALE 1:1



2	-	WIRE	302 STAINLESS STEEL	NATURAL
1	-	STRIP	6061 ALUMINIUM	NATURAL
-	SEE TABLE	ASSEMBLY	-	-
SR. NO	PART NUMBER	TYPE OF COMPONENT	MATERIAL	FINISH

CPB NUMBER	THIRD ANGLE PROJECTION	 CONNECT • CREATE • INNOVATE		
	INCHES [MM]			
SURFACE AREA	TOLERANCES UNLESS OTHERWISE NOTED	DESCRIPTION D5 FLAT RECEPTACLE STRIP		
VOLUME	ALL DIMENSIONS WITHOUT TOLERANCES ARE FOR REFERENCE ONLY.	SIZE A	SYSTEM NX	DWG NO. J-D5-PR35-1
PROPRIETARY ITEM EXCEPT FOR USES EXPRESSLY GRANTED IN WRITING, INFORMATION DISCLOSED HEREON IS CONFIDENTIAL AND ALL RIGHTS, PATENT AND OTHERWISE, ARE RESERVED BY SOUTHCO, INC.	PER ASME Y14.5M-1994	DRAWN BY MJS/JSS	DATE 30JUL2005	SCALE 2:1 SHEET 1 OF 1