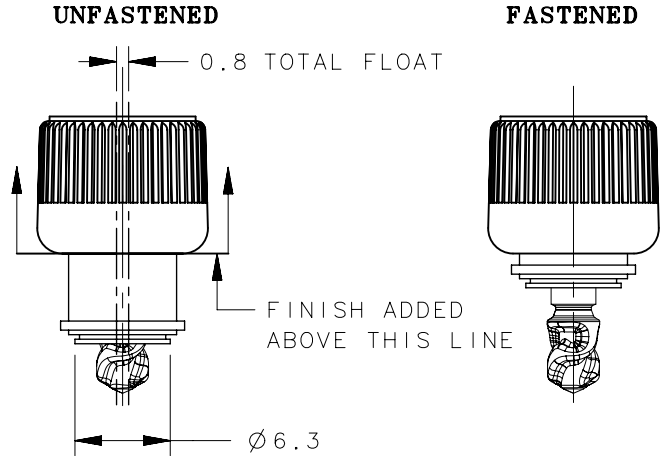


REVISION HISTORY			
REV	DATE	BY	DESCRIPTION
F	05AUG2021	KSH/HPD	PRN: P2021-1574

MATERIAL AND FINISH: RoHS COMPLIANT
 STUD AND FERRULE: STEEL, HARDENED,
 ZINC PLATE PLUS SEALER
 SPRING: MUSIC WIRE, ZINC PLATE
 KNOB: 6000 SERIES ALUMINUM, NATURAL
 OR WITH POWDER COAT

ASSEMBLY PART NUMBER

D9-47-130A₄-KEEE

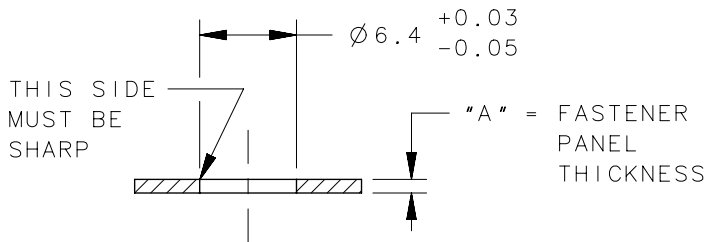


- A₁ - INSTALL**
1 = 0.9 MIN PANEL THICKNESS ("A")
- A₂ - STUD OD**
3 = \varnothing 3.5 STUD OD
- A₃ - RECESS**
0 = NO RECESS
- A₄ - STUD LENGTH**
1
2
3
4

K - KNOB STYLE
K = KNURLED

EEE - KNOB COLOR
BLANK = METAL,
BRIGHT
SEE J-47-0-3 FOR
ADDITIONAL SUFFIXES

FASTENER PANEL PREPARATION



TO INSTALL FASTENER:

1. PUNCH HOLE IN PANEL PER PANEL PREPARATION VIEW.
2. INSERT FASTENER AND PRESS INTO PANEL USING A BACK UP TOOL WITH CLEARANCE HOLE OF \varnothing 3.8 \pm 0.2 FOR THE STUD END.

4	-	1	FERRULE
3	-	1	STUD
2	-	1	SPRING
1	-	1	KNOB
-	D9-47-130A-KEEE	-	ASSEMBLY
NO.	PART NUMBER	QTY	TYPE OF COMPONENT

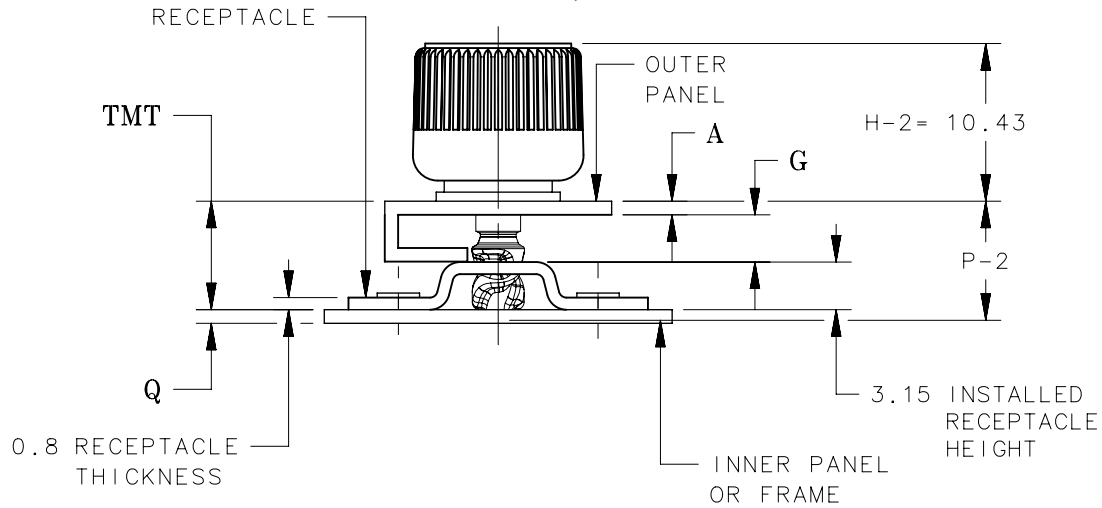
THIRD ANGLE PROJECTION		 CONNECT • CREATE • INNOVATE	
MILLIMETERS [IN]			
TOLERANCES UNLESS OTHERWISE NOTED		DESCRIPTION	
ALL DIMENSIONS WITHOUT TOLERANCES ARE FOR REFERENCE ONLY.		QUICK ACCESS FASTENER D9-47 PRESS-IN STYLE, 3.5 STUD SIZE	
PROPRIETARY ITEM EXCEPT FOR USES EXPRESSLY GRANTED IN WRITING, INFORMATION DISCLOSED HEREON IS CONFIDENTIAL AND ALL RIGHTS, PATENT AND OTHERWISE, ARE RESERVED BY SOUTHCO, INC.	PER ASME Y14.5M-1994	SIZE A4	SYSTEM NX
		DWG NO. J-D9-47-130-K	
		DRAWN BY IR/	DATE 10 DEC 15
		SCALE DNS	SHEET 1 OF 3

STUD LENGTH 2 SHOWN IN ALL VIEWS.

REVISION HISTORY			
REV	DATE	BY	DESCRIPTION
F	05AUG2021	KSH/HPD	PRN: P2021-1574

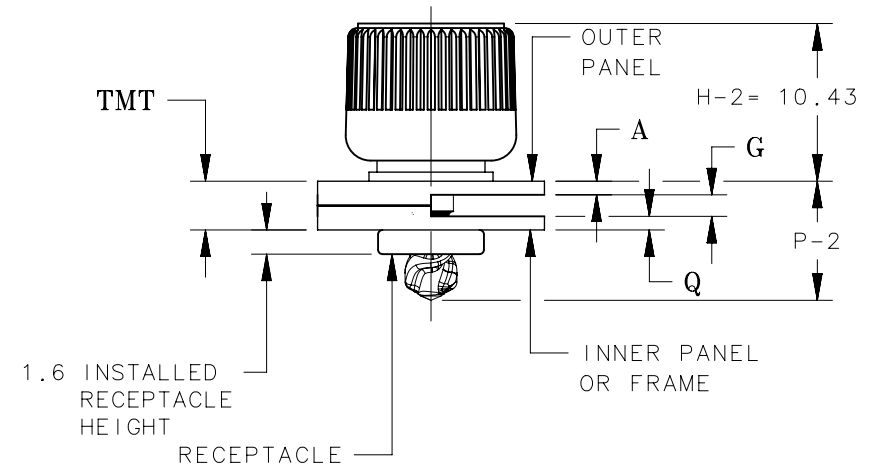
**WITH SADDLE RECEPTACLE D9-62-11
(ORDER SEPARATELY)**

$TMT = A + G + 3.15$



**WITH PRESS-IN RECEPTACLE D9-63-11
(ORDER SEPARATELY)**

$TMT = A + G + Q$



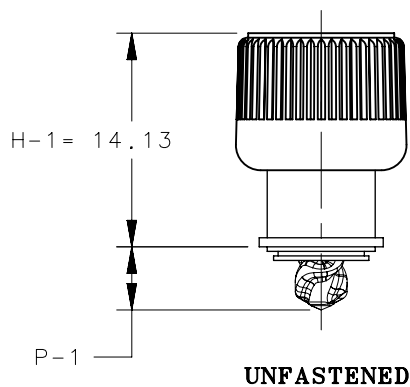
SADDLE STYLE RECEPTACLE						
STUD ASSEMBLY PART NUMBER	STUD LENGTH	P-1 MAX	P-2 MAX	TMT RANGE		
				MIN.	NOMINAL	MAX.
D9-47-1301-K	1	4.6	8.3	5.3	6.0	6.2
D9-47-1302-K	2	5.6	9.3	6.3	7.0	7.2
D9-47-1303-K	3	6.6	10.3	7.3	8.0	8.2
D9-47-1304-K	4	7.6	11.3	8.3	9.0	9.2

SEE J-D9-62 FOR SADDLE RECEPTACLE INFORMATION

PRESS-IN STYLE RECEPTACLE						
STUD ASSEMBLY PART NUMBER	STUD LENGTH	P-1 MAX	P-2 MAX	TMT RANGE		
				MIN.	NOMINAL	MAX.
D9-47-1301-K	1	4.6	8.3	1.4	2.1	2.3
D9-47-1302-K	2	5.6	9.3	2.4	3.1	3.3
D9-47-1303-K	3	6.6	10.3	3.4	4.1	4.3
D9-47-1304-K	4	7.6	11.3	4.4	5.1	5.3

SEE J-D9-63 FOR PRESS-IN RECEPTACLE INFORMATION

- TMT = TOTAL MATERIAL THICKNESS
- A = 0.9 MIN PANEL THICKNESS
- G = GAP
- Q = 0.9 MIN FRAME THICKNESS



<p>THIRD ANGLE PROJECTION</p>	<p>MILLIMETERS [IN]</p>		<p>DESCRIPTION QUICK ACCESS FASTENER D9-47 PRESS-IN STYLE, 3.5 STUD SIZE</p>		
					<p>TOLERANCES UNLESS OTHERWISE NOTED</p>
	<p>ALL DIMENSIONS WITHOUT TOLERANCES ARE FOR REFERENCE ONLY.</p>		<p>SIZE A4</p>	<p>SYSTEM NX</p>	<p>DWG NO. J-D9-47-130-K</p>
	<p>PER ASME Y14.5M-1994</p>		<p>DRAWN BY IR/</p>	<p>DATE 10 DEC 15</p>	<p>SCALE DNS</p>

PROPRIETARY ITEM
EXCEPT FOR USES EXPRESSLY GRANTED IN WRITING, INFORMATION DISCLOSED HEREON IS CONFIDENTIAL AND ALL RIGHTS, PATENT AND OTHERWISE, ARE RESERVED BY SOUTHCO, INC.

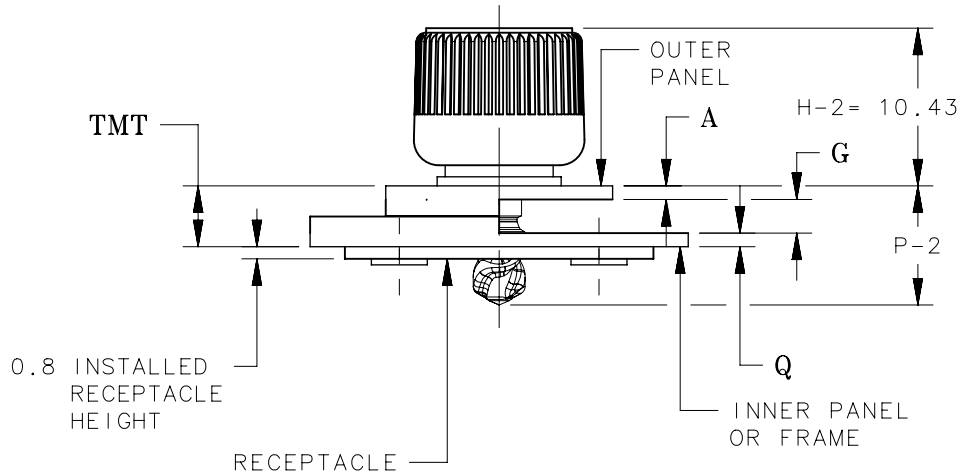
southco[®]
CONNECT • CREATE • INNOVATE

STUD LENGTH 2 SHOWN IN ALL VIEWS.

REVISION HISTORY			
REV	DATE	BY	DESCRIPTION
F	05AUG2021	KSH/HPD	PRN: P2021-1574

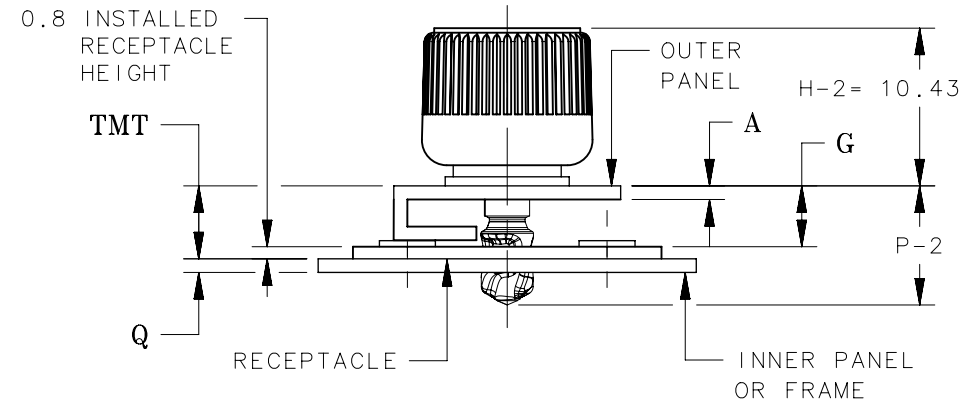
**WITH FLAT RECEPTACLE D9-61-11
MOUNTED BELOW PANEL
(ORDER SEPARATELY)**

$TMT = A+G+Q$



**WITH FLAT RECEPTACLE D9-61-11
MOUNTED ABOVE PANEL
(ORDER SEPARATELY)**

$TMT = A+G+0.8$



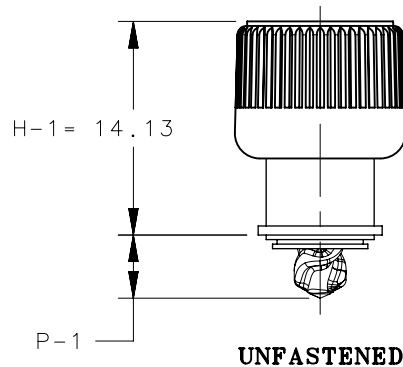
FLAT STYLE RECEPTACLE MOUNTED BELOW PANEL						
STUD ASSEMBLY PART NUMBER	STUD LENGTH	P-1 MAX	P-2 MAX	TMT RANGE		
				MIN.	NOMINAL	MAX.
D9-47-1301-K	1	4.6	8.3	2.1	2.8	3.0
D9-47-1302-K	2	5.6	9.3	3.1	3.8	4.0
D9-47-1303-K	3	6.6	10.3	4.1	4.8	5.0
D9-47-1304-K	4	7.6	11.3	5.1	5.8	6.0

SEE J-D9-61 FOR FLAT RECEPTACLE INFORMATION

FLAT STYLE RECEPTACLE MOUNTED ABOVE PANEL						
STUD ASSEMBLY PART NUMBER	STUD LENGTH	P-1 MAX	P-2 MAX	TMT RANGE		
				MIN.	NOMINAL	MAX.
D9-47-1301-K	1	4.6	8.3	2.9	3.6	3.8
D9-47-1302-K	2	5.6	9.3	3.9	4.6	4.8
D9-47-1303-K	3	6.6	10.3	4.9	5.6	5.8
D9-47-1304-K	4	7.6	11.3	5.9	6.6	6.8

SEE J-D9-61 FOR FLAT RECEPTACLE INFORMATION

TMT = TOTAL MATERIAL THICKNESS
 A = 0.9 MIN PANEL THICKNESS
 G = GAP
 Q = 0.9 MIN FRAME THICKNESS



PROPRIETARY ITEM <small>EXCEPT FOR USES EXPRESSLY GRANTED IN WRITING, INFORMATION DISCLOSED HEREON IS CONFIDENTIAL AND ALL RIGHTS, PATENT AND OTHERWISE, ARE RESERVED BY SOUTHCO, INC.</small>	THIRD ANGLE PROJECTION				
	MILLIMETERS [IN]				
	TOLERANCES UNLESS OTHERWISE NOTED	DESCRIPTION	QUICK ACCESS FASTENER		
	ALL DIMENSIONS WITHOUT TOLERANCES ARE FOR REFERENCE ONLY.	D9-47 PRESS-IN STYLE, 3.5 STUD SIZE			
	SIZE	SYSTEM	DWG NO.		
	A4	NX	J-D9-47-130-K		
PER ASME Y14.5M-1994	DRAWN BY	DATE	SCALE	SHEET	
	IR/	10 DEC 15	DNS	3 OF 3	