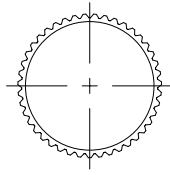
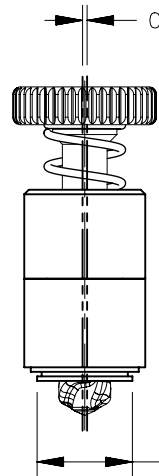


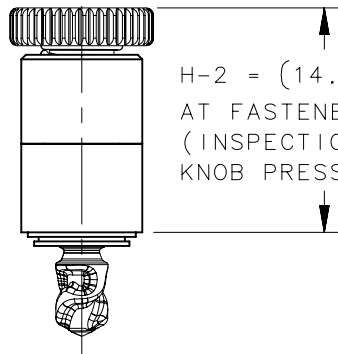
Ø 9.5
No. 2 PHILLIPS RECESS



NO RECESS



UNFASTENED

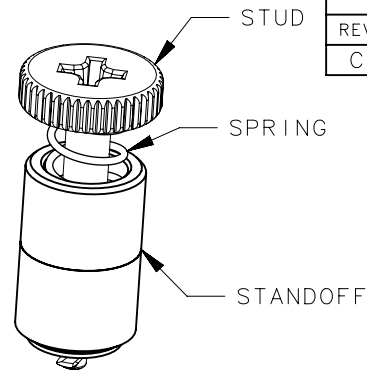


FASTENED

0.3 TOTAL FLOAT OF
STUD IN STANDOFF

H-2 = (14.8)
AT FASTENED POSITION
(INSPECTION HEIGHT = 14.2
KNOB PRESSED TO END)

Ø 6.3

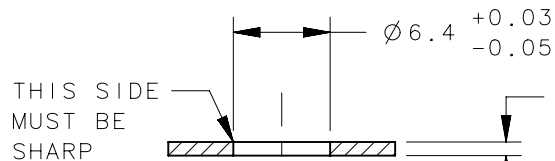


MATERIALS AND FINISH: RoHS COMPLIANT
STUD AND STANDOFF: STEEL, HARDENED
ZINC PLATE PLUS SEALER
SPRING: MUSIC WIRE, ZINC PLATE

ASSEMBLY PART NUMBER

D9-52-13A₃B-K

- A₁ - INSTALL
 - 1 = 0.9 - 1.2 PANEL ("A")
- A₂ - STUD OD
 - 3 = Ø 3.5 STUD OD
- A₃ - RECESS
 - 0 = NO RECESS
 - 1 = No. 2 PHILLIPS
- B - STUD LENGTH
 - 1
 - 2
 - 3
 - 4
- K - KNOB STYLE
 - K = KNURLED



FASTENER PANEL PREPARATION

TO INSTALL FASTENER:

1. PUNCH HOLE IN PANEL PER PANEL PREPARATION VIEW.
2. INSERT FASTENER AND PRESS INTO PANEL USING A BACK UP TOOL WITH CLEARANCE HOLE OF Ø 3.8±0.2 FOR THE STUD END.

	THIRD ANGLE PROJECTION	
	MILLIMETERS [IN]	
	TOLERANCES UNLESS OTHERWISE NOTED	
	ALL DIMENSIONS WITHOUT TOLERANCES ARE FOR REFERENCE ONLY.	
PROPRIETARY ITEM		
EXCEPT FOR USES EXPRESSLY GRANTED IN WRITING, INFORMATION DISCLOSED HEREON IS CONFIDENTIAL AND ALL RIGHTS, PATENT AND OTHERWISE, ARE RESERVED BY SOUTHCO, INC.		
	PER ASME Y14.5M-1994	

D9-52-13AB-K		FASTENER ASSEMBLY	
PART NUMBER		TYPE OF COMPONENT	
southco [®]			
CONNECT • CREATE • INNOVATE			
DESCRIPTION			
QUICK ACCESS FASTENER			
D9-52 PRESS-IN STYLE, 3.5 STUD SIZE			
SIZE	SYSTEM	DWG NO.	
A4	NX	J-D9-52-13-K	
DRAWN BY	DATE	SCALE	SHEET
ER/LC	15JAN2019	2:1	1 OF 3

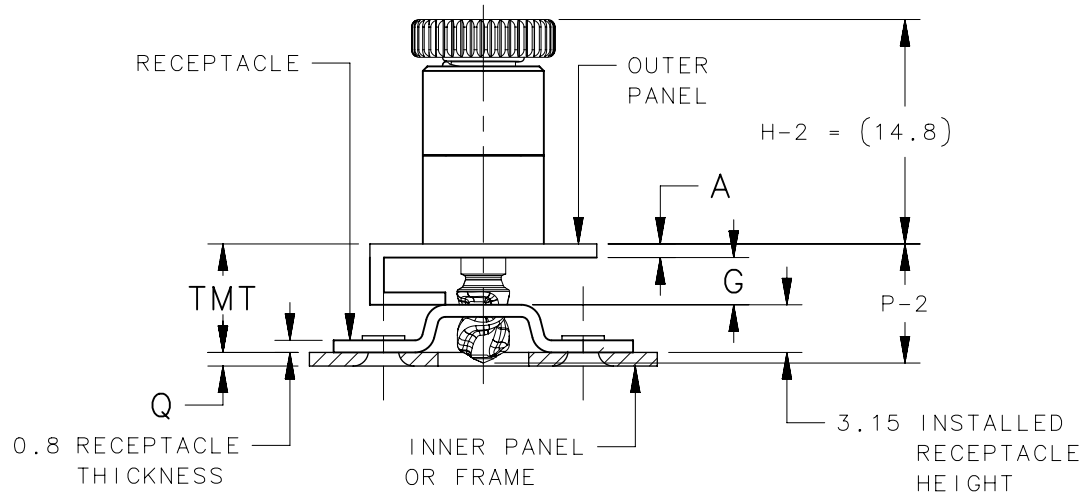
REVISION HISTORY			
REV	DATE	BY	DESCRIPTION
C	20NOV2019	ER/LC	PRN: P2019-2850

LENGTH 2 STUD SHOWN IN ALL VIEWS

REVISION HISTORY			
REV	DATE	BY	DESCRIPTION
C	20NOV2019	ER/LC	PRN: P2019-2850

WITH SADDLE RECEPTACLE D9-62-11
(ORDER SEPARATELY)

$TMT = A+G+3.15$

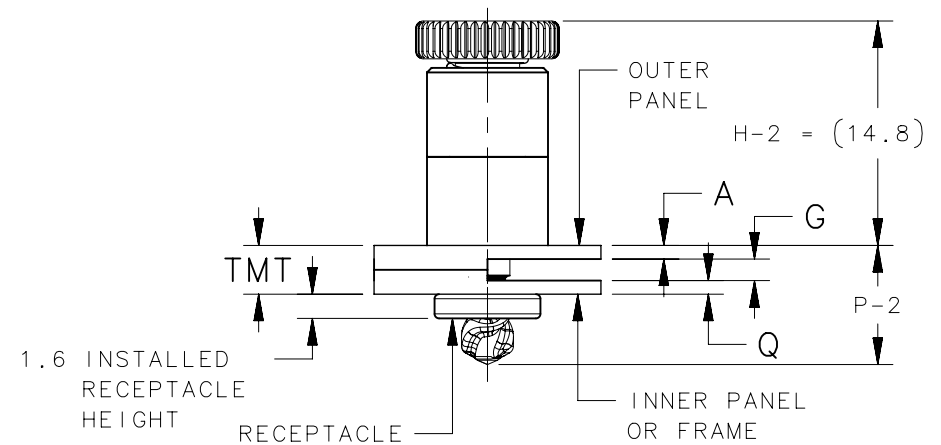


SADDLE STYLE RECEPTACLE						
STUD ASSEMBLY PART NUMBER	STUD LENGTH	(H-1)	P-2 MAX	TMT RANGE		
				MIN.	NOMINAL	MAX.
D9-52-13A1-K	1	18.5	8.3	5.3	6	6.2
D9-52-13A2-K	2	19.5	9.3	6.3	7	7.2
D9-52-13A3-K	3	20.5	10.3	7.3	8	8.2
D9-52-13A4-K	4	21.5	11.3	8.3	9	9.2

SEE J-D9-62 FOR SADDLE RECEPTACLE INFORMATION

WITH PRESS-IN RECEPTACLE D9-63-11
(ORDER SEPARATELY)

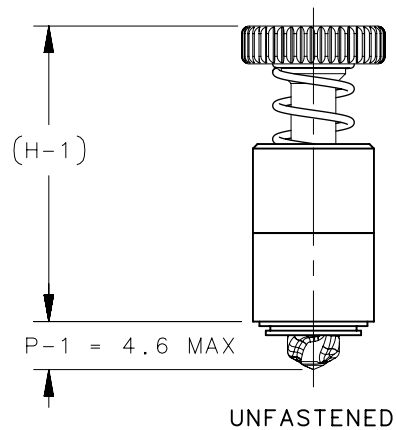
$TMT = A+G+Q$



PRESS-IN STYLE RECEPTACLE						
STUD ASSEMBLY PART NUMBER	STUD LENGTH	(H-1)	P-2 MAX	TMT RANGE		
				MIN.	NOMINAL	MAX.
D9-52-13A1-K	1	18.5	8.3	1.4	2.1	2.3
D9-52-13A2-K	2	19.5	9.3	2.4	3.1	3.3
D9-52-13A3-K	3	20.5	10.3	3.4	4.1	4.3
D9-52-13A4-K	4	21.5	11.3	4.4	5.1	5.3

SEE J-D9-63 FOR PRESS-IN RECEPTACLE INFORMATION

TMT = TOTAL MATERIAL THICKNESS
A = 0.9 MIN. PANEL THICKNESS
G = GAP
Q = 0.9 MIN. FRAME THICKNESS

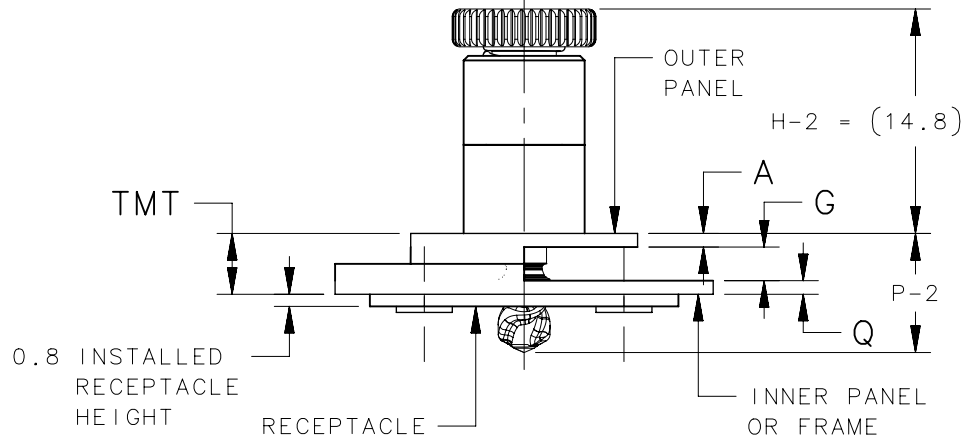


	THIRD ANGLE PROJECTION			southco [®] CONNECT • CREATE • INNOVATE	
	MILLIMETERS [IN]				
	TOLERANCES UNLESS OTHERWISE NOTED	DESCRIPTION			
	ALL DIMENSIONS WITHOUT TOLERANCES ARE FOR REFERENCE ONLY.	QUICK ACCESS FASTENER D9-52 PRESS-IN STYLE, 3.5 STUD SIZE			
	PROPRIETARY ITEM	SIZE	SYSTEM	DWG NO.	
	EXCEPT FOR USES EXPRESSLY GRANTED IN WRITING, INFORMATION DISCLOSED HEREON IS CONFIDENTIAL AND ALL RIGHTS, PATENT AND OTHERWISE, ARE RESERVED BY SOUTHCO, INC.	A4	NX	J-D9-52-13-K	
	PER ASME Y14.5M-1994	DRAWN BY	DATE	SCALE	SHEET
		ER	17JAN2019	2:1	2 OF 3

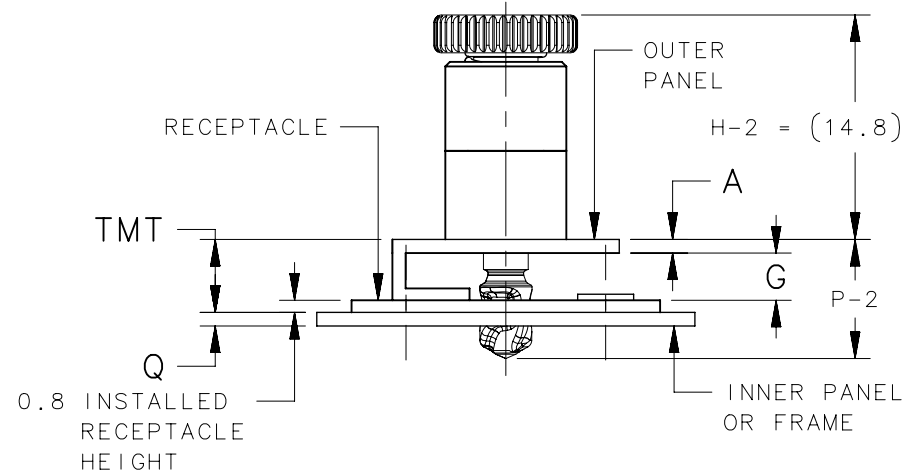
LENGTH 2 STUD SHOWN IN ALL VIEWS.

REVISION HISTORY			
REV	DATE	BY	DESCRIPTION
C	20NOV2019	ER/LC	PRN: P2019-2850

WITH FLAT RECEPTACLE D9-61-11
MOUNTED BELOW PANEL
(ORDER SEPARATELY)
TMT = A+G+Q



WITH FLAT RECEPTACLE D9-61-11
MOUNTED ABOVE PANEL
(ORDER SEPARATELY)
TMT = A+G+0.8



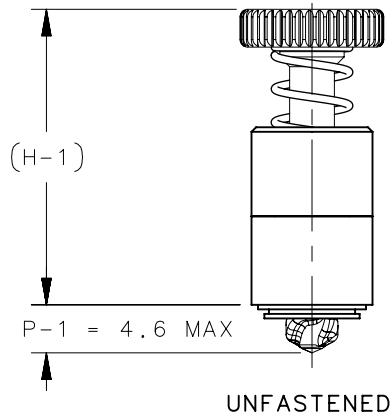
FLAT STYLE RECEPTACLE MOUNTED BELOW PANEL						
STUD ASSEMBLY PART NUMBER	STUD LENGTH	(H-1)	P-2 MAX	TMT RANGE		
				MIN.	NOMINAL	MAX.
D9-52-13A1-K	1	18.5	8.3	2.1	2.8	3
D9-52-13A2-K	2	19.5	9.3	3.1	3.8	4
D9-52-13A3-K	3	20.5	10.3	4.1	4.8	5
D9-52-13A4-K	4	21.5	11.3	5.1	5.8	6

SEE J-D9-61 FOR FLAT RECEPTACLE INFORMATION

FLAT STYLE RECEPTACLE MOUNTED ABOVE PANEL						
STUD ASSEMBLY PART NUMBER	STUD LENGTH	(H-1)	P-2 MAX	TMT RANGE		
				MIN.	NOMINAL	MAX.
D9-52-13A1-K	1	18.5	8.3	2.9	3.6	3.8
D9-52-13A2-K	2	19.5	9.3	3.9	4.6	4.8
D9-52-13A3-K	3	20.5	10.3	4.9	5.6	5.8
D9-52-13A4-K	4	21.5	11.3	5.9	6.6	6.8

SEE J-D9-61 FOR FLAT RECEPTACLE INFORMATION

TMT = TOTAL MATERIAL THICKNESS
A = 0.9 MIN. PANEL THICKNESS
G = GAP
Q = 0.9 MIN. FRAME THICKNESS



	THIRD ANGLE PROJECTION			 CONNECT • CREATE • INNOVATE	
	MILLIMETERS [IN]				
	TOLERANCES UNLESS OTHERWISE NOTED	DESCRIPTION			
	ALL DIMENSIONS WITHOUT TOLERANCES ARE FOR REFERENCE ONLY.	QUICK ACCESS FASTENER D9-52 PRESS-IN STYLE, 3.5 STUD SIZE			
	PROPRIETARY ITEM	SIZE	SYSTEM	DWG NO.	
	EXCEPT FOR USES EXPRESSLY GRANTED IN WRITING, INFORMATION DISCLOSED HEREON IS CONFIDENTIAL AND ALL RIGHTS, PATENT AND OTHERWISE, ARE RESERVED BY SOUTHCO, INC.	A4	NX	J-D9-52-13-K	
	PER ASME Y14.5M-1994	DRAWN BY	DATE	SCALE	SHEET
		ER	17JAN2019	1:1	3 OF 3