

southco

PROPRIETARY ITEM - EXCEPT FOR USES EXPRESSLY GRANTED IN WRITING INFORMATION DISCLOSED HEREON IS CONFIDENTIAL AND ALL RIGHTS PATENT AND OTHERWISE ARE RESERVED BY SOUTHCO, INC.

No. E3 PAWL - BENT DOWN POSITION

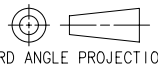
DATE	DRAWN	CHKD	SCALE
12MAY2009	MJS		1.5:1

DRAWING NUMBER
J-E3-28-7-2

REV	DATE	DRAWN/CHKD	DESCRIPTION	PART NUMBER	MATERIAL	FINISH
A	12MAY2009	MJS/MJS	INITIAL DRAWING RELEASE	E3-28-7XX-24	STAINLESS STEEL	PASSIVATED
				E3-28-7XX-20	STAINLESS STEEL	NATURAL

MILLIMETERS

ALL DIMENSIONS WITHOUT TOLERANCES ARE FOR REFERENCE ONLY.

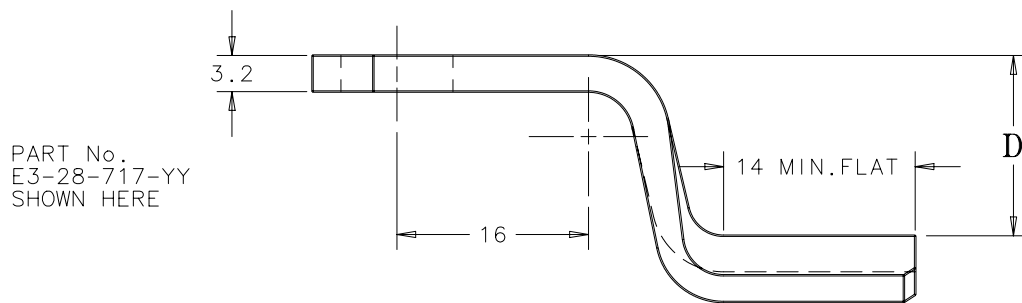
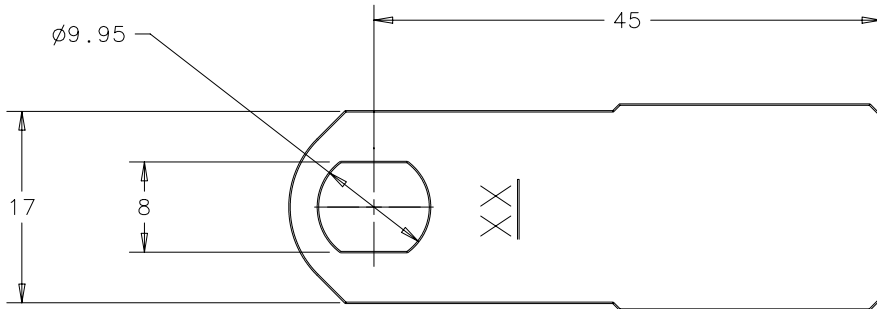


THIRD ANGLE PROJECTION

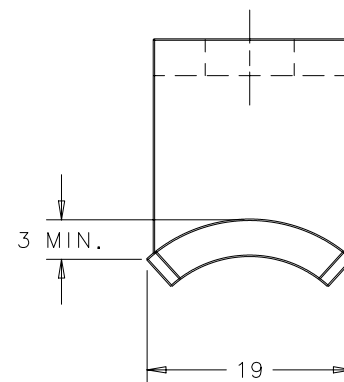
A3 PAPER SIZE

NOTES:

A. ALL DIMENSIONS SHOWN IN THIS SECTION OF THE DRAWING ARE TYPICAL OF ALL PAWLS.



PART No. E3-28-717-YY SHOWN HERE



DIMENSION D PAWL BEND DETAILS

