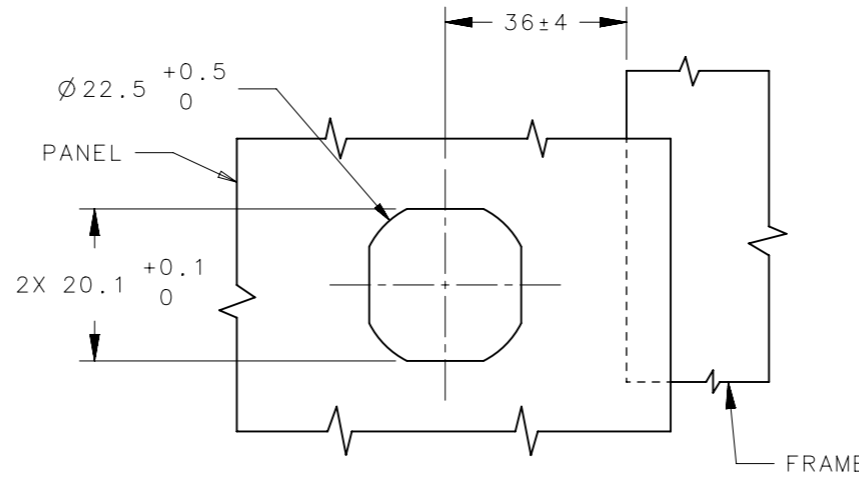
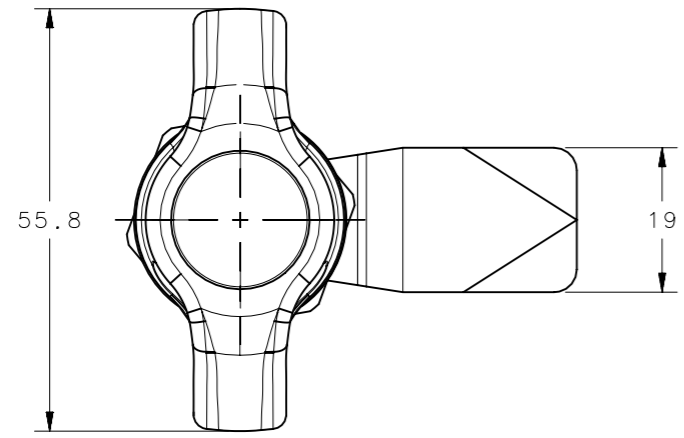


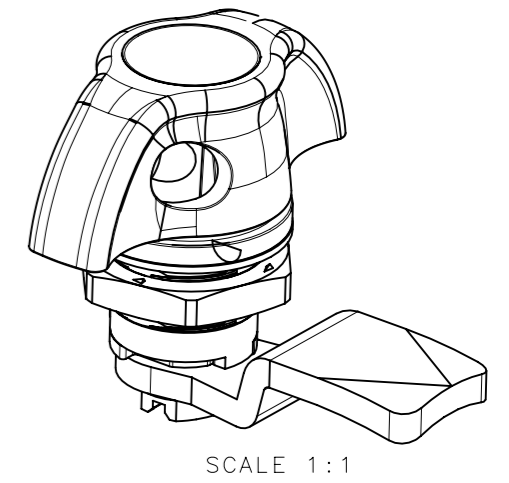
| REVISION HISTORY | | | |
|------------------|-----------|-------|-----------------|
| REV | DATE | BY | DESCRIPTION |
| A | 11MAY2017 | CJ/JQ | PRN: P2017-1135 |



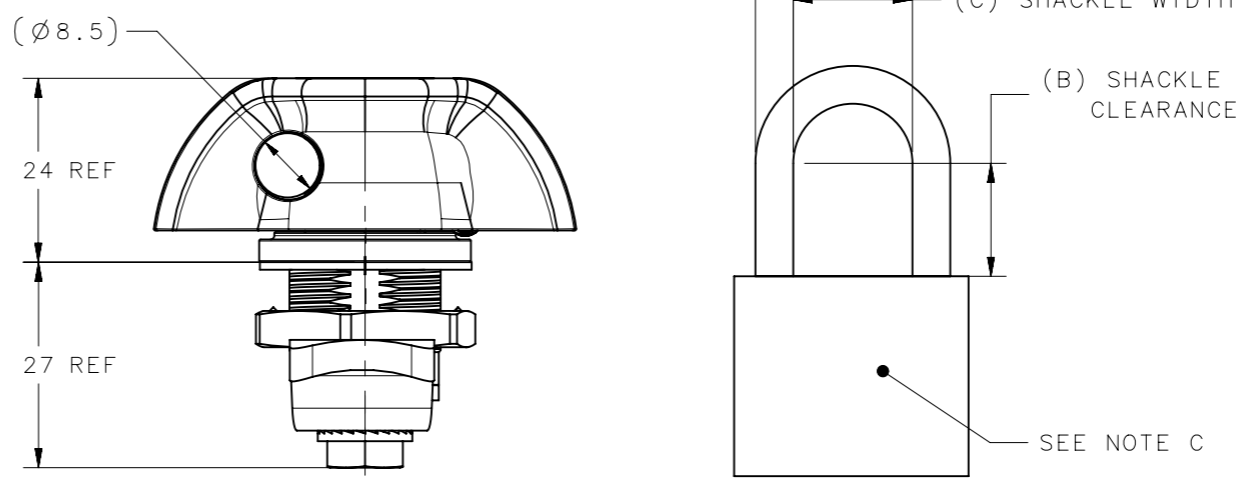
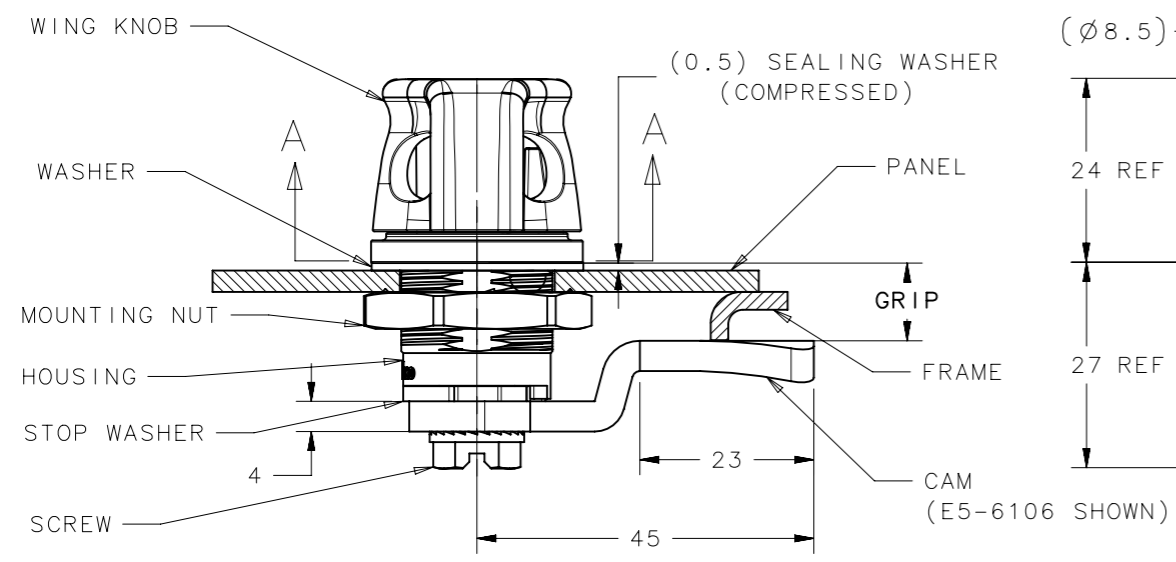
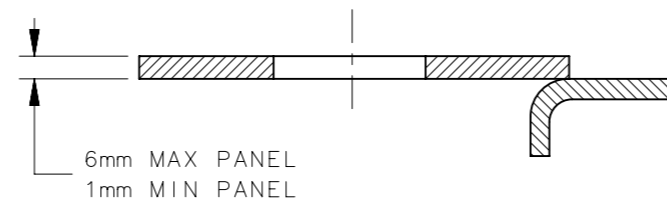
PART NUMBER
E5-9-5RF-YY1

R=ROTATION
1-CLOCKWISE TO LATCH
2-COUNTER-CLOCKWISE TO LATCH

F=FINISH
2-CHROME PLATED
5-BLACK POWDER COATED



LATCH SHOWN IN CLOCKWISE ORIENTATION



| GRIP TABLE | | |
|----------------|------------|---------|
| CAM STYLE "YY" | TOTAL GRIP | CAM |
| 03 | 4 | E5-6103 |
| 04 | 6 | E5-6104 |
| 05 | 8 | E5-6105 |
| 06 | 10 | E5-6106 |
| 07 | 12 | E5-6107 |
| 08 | 14 | E5-6108 |
| 09 | 16 | E5-6109 |
| 10 | 18 | E5-6110 |
| 11 | 20 | E5-6111 |
| 12 | 22 | E5-6112 |
| 13 | 24 | E5-6113 |
| 14 | 26 | E5-6114 |
| 15 | 28 | E5-6115 |
| 16 | 30 | E5-6116 |
| 17 | 32 | E5-6117 |
| 18 | 34 | E5-6118 |
| 19 | 36 | E5-6119 |
| 20 | 38 | E5-6120 |
| 21 | 40 | E5-6121 |
| 22 | 42 | E5-6122 |
| UU | NO CAM | |

NOTES:

- A. COSMETIC SPECIFICATION: ALL SURFACES ABOVE A-A CONFORM TO CLASS C PER SOUTHCO COSMETIC SPEC S-121. OTHERS WILL CONFORM TO CLASS D.
- B. FOR LATCH WITHOUT CAM(UU), CAM CAN BE ORDERED SEPERATELY. SEE CAM TABLE FOR PART NUMBERS.
- C. RECOMMENDED SHACKLE SPECIFICATIONS:
(A) SHACKLE DIAMETER: 8mm MAX
(B) SHACKLE CLEARANCE: 14mm MIN
(C) SHACKLE WIDTH: 13mm MIN
- D. STOP WASHER COLORATION DENOTES OPERATION. SILVER(ZINC PLATED) FOR CLOCKWISE TO LATCH, BLACK FOR COUNTER-CLOCKWISE TO LATCH.

INSTALLATION INSTRUCTIONS:

1. PLACE SEALING WASHER ONTO HOUSING AND PLACE THROUGH MOUNTING HOLE.ENSURE HOUSING IS IN THE REQUIRED ORIENTATION FOR PADLOCK OPERATION.
3. INSTALL MOUNTING NUT AND TIGHTEN TO 10N-m MAX.
4. ATTACH CAM TO LATCH ASSEMBLY.ENSURE CAM IS IN THE REQUIRED ORIENTATION FOR PADLOCK OPERATION.
5. INSTALL SCREW. TIGHTEN TO 5N-m MAX.

| NO. | DESCRIPTION | QTY | MATERIAL | FINISH |
|-----|----------------|-----|---------------------|---------------------------------|
| 11 | BEARING | 1 | STAINLESS STEEL | NATURAL |
| 10 | KNOB | 1 | DIE CAST ZINC | BLACK POWDER COAT/CHROME PLATED |
| 9 | SEALING WASHER | 1 | POLYURETHANE, BLACK | NATURAL |
| 8 | SCREW | 1 | STEEL | ZINC PLATED |
| 7 | NUT | 1 | DIE CAST ZINC | ZINC PLATE, CHROME PLATED |
| 6 | STOP WASHER | 1 | STEEL | ZINC PLATED/BLACK ZINC PLATED |
| 5 | CAM | 1 | STEEL | ZINC PLATED |
| 4 | SMALL O-RING | 1 | NITRILE, BLACK | NATURAL |
| 3 | BIG O-RING | 1 | NITRILE, BLACK | NATURAL |
| 2 | HOUSING | 1 | DIE CAST ZINC | BLACK POWDER COAT/CHROME PLATED |
| 1 | SPRING | 1 | STAINLESS STEEL | PASSIVATE |

| | | | | | |
|-----------------------------------|--|-------------------------------------------------------|--------|----------|--|
| THIRD ANGLE PROJECTION | | | | | |
| | | | | | |
| MILLIMETERS [IN] | | DESCRIPTION | | | |
| TOLERANCES UNLESS OTHERWISE NOTED | | E5 WING KNOB LATCH | | | |
| UP TO 0.5 ±0.1 | | PADLOCKABLE | | | |
| OVER 0.5 UP TO 6 ±0.2 | | SIZE | SYSTEM | DWG NO. | |
| OVER 6 UP TO 30 ±0.4 | | A3 | NX | J-E5-9-5 | |
| OVER 30 ±0.6 | | DRAWN BY MAL/JQ DATE 24MAY2016 SCALE 1:1 SHEET 1 OF 1 | | | |
| ANGLES ±5° | | PER ASME Y14.5M-1994 | | | |

PROPRIETARY ITEM
EXCEPT FOR USES EXPRESSLY GRANTED IN WRITING, INFORMATION DISCLOSED HEREON IS CONFIDENTIAL AND ALL RIGHTS, PATENT AND OTHERWISE, ARE RESERVED BY SOUTHCO, INC.