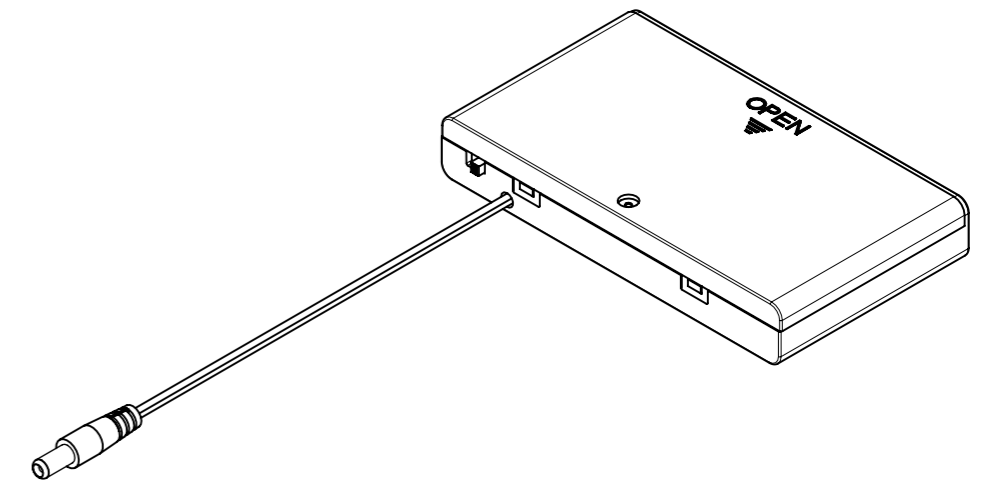
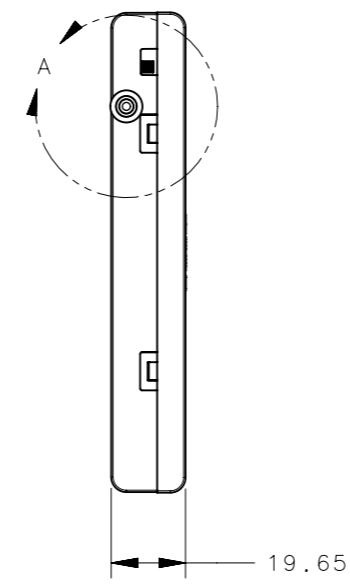
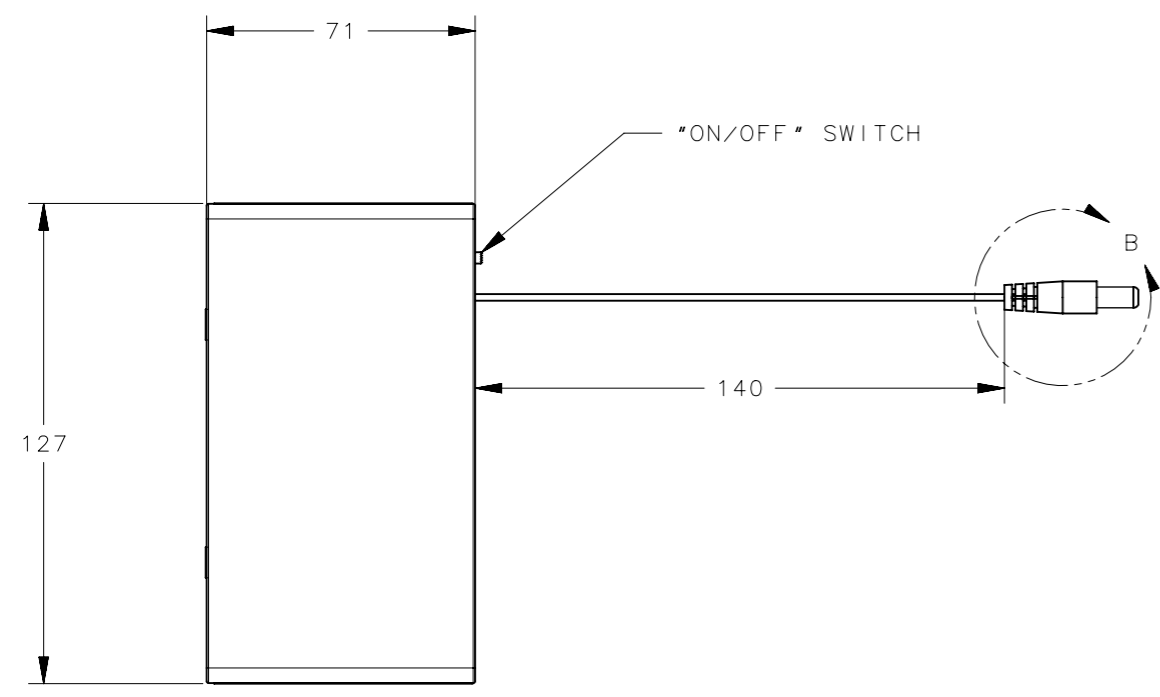
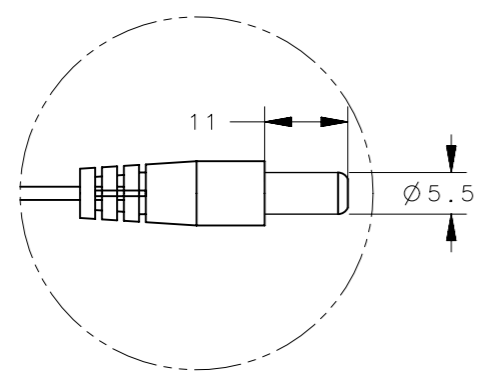


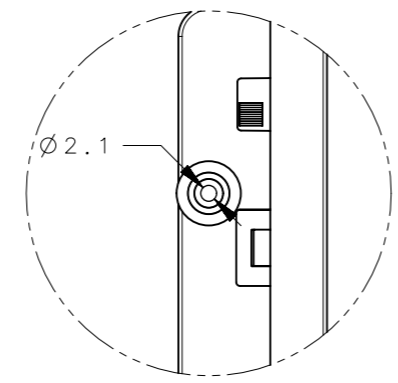
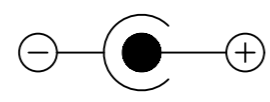
REVISION HISTORY			
REV	DATE	BY	DESCRIPTION
A	11DEC2014	MMS/KAM	IPN: IP-2015-0615



NOTES
 A) EIGHT CELL "AA" BATTERY BOX WITH REMOVABLE BATTERY COVER. BATTERIES NOT INCLUDED
 B) NOMINAL VOLTAGE: 12V



DETAIL B
SCALE 1:1



DETAIL A
SCALE 1:1

OUTPUT CONNECTOR

PROPRIETARY ITEM <small>EXCEPT FOR USES EXPRESSLY GRANTED IN WRITING, INFORMATION DISCLOSED HEREON IS CONFIDENTIAL AND ALL RIGHTS, PATENT AND OTHERWISE, ARE RESERVED BY SOUTHCO, INC.</small>	THIRD ANGLE PROJECTION	 CONNECT • CREATE • INNOVATE			
	MILLIMETERS [IN]				
	TOLERANCES UNLESS OTHERWISE NOTED	DESCRIPTION	8X AA BATTERY BOX		
	ALL DIMENSIONS WITHOUT TOLERANCES ARE FOR REFERENCE ONLY.	SIZE	SYSTEM	DWG NO.	
PER ASME Y14.5M-1994	A3	NX	J-EA-A05-002		
	DRAWN BY	DATE	SCALE	SHEET	
	MMS/KAM	11DEC2014	1:2	1 OF 1	