


**TABLE I: APPLICABLE TO ALL RECEPTACLES EXCEPT AS NOTED**

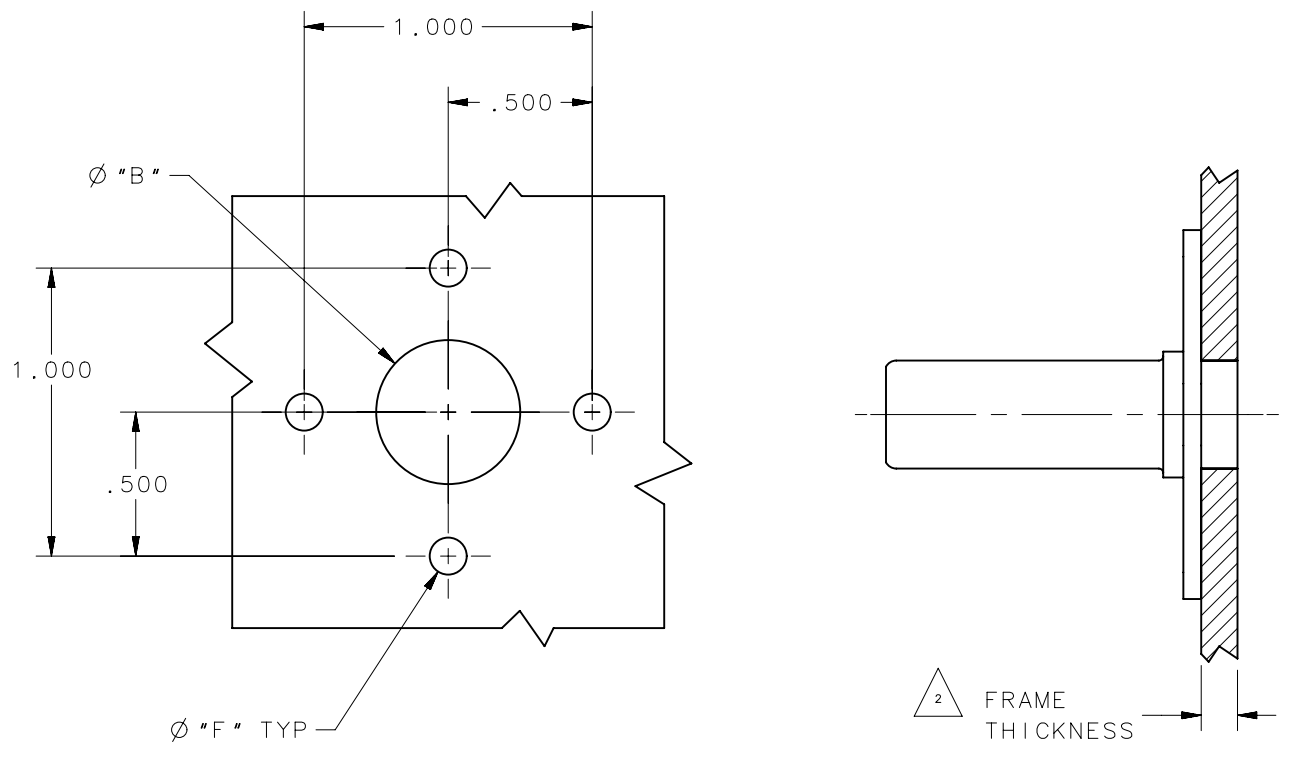
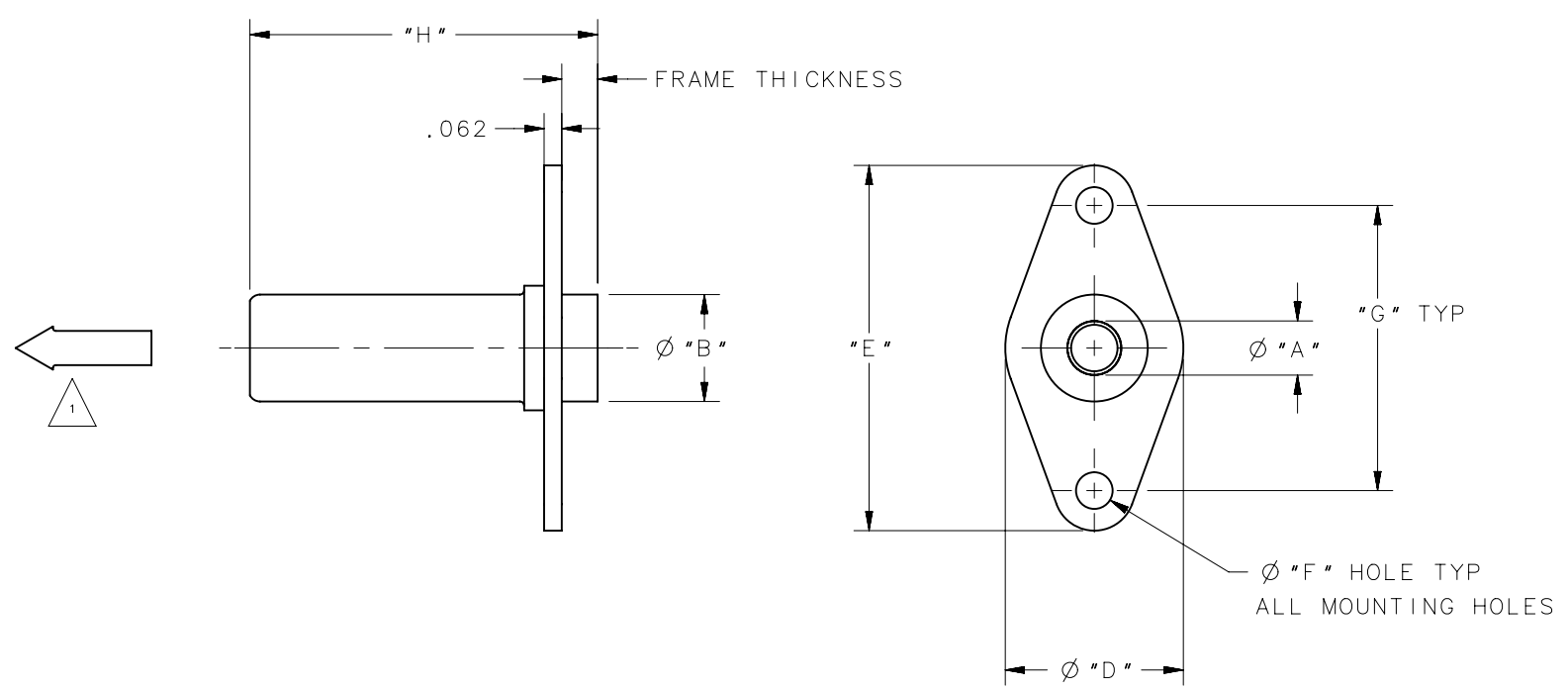
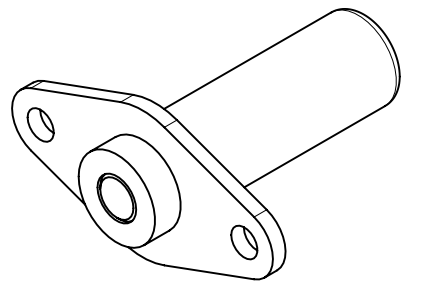
PART No.	A DIA +.002 -.000	B DIA +.001 -.004	D	E DIA	F DIA +.002 -.000	G	H
LW-1764-3...	.190	.375	.625	.1281	#30 (.1285)	1.000	1.25
LW-1764-4...	.250	.375	.625	.1281	#30 (.1285)	1.000	1.25
LW-1764-5...	.312	.500	.625	1.281	#30 (.1285)	1.000	1.25
LW-1764-6...	.375	.625	.750	1.406	#30 (.1285)	1.125	1.31
LW-1764A3...	.190	.375	.625	1.570	#19 (.1660)	1.250	1.25
LW-1764A4...	.250	.375	.625	1.570	#19 (.1660)	1.250	1.25
LW-1764A5...	.312	.500	.625	1.570	#19 (.1660)	1.250	1.25

**TABLE II**



PART No. CALLOUT	PULL-OUT LOAD (LBS) 
LW-1764-(X)-(1)-(Z)	200
LW-1764-(X)C(1)-(Z)	400
LW-1764-(X)S(1)-(Z)	400

**REVISION HISTORY**

REV	DATE	BY	DESCRIPTION
A	03MAY2010	ACH	PRN: P2010-0425



**NOTES:** UNLESS OTHERWISE SPECIFIED

-  RECEPTACLES SHALL WITHSTAND PUSH-OUT LOAD SHOWN IN TABLE II, APPLIED IN DIRECTION SHOWN.
-  RECEPTACLES MAY BE SPECIFIED FOR FRAME THICKNESS OF .032 THRU .500.

PART NUMBER INFO: LW-1764 - X Y 1 - ZZZ

BASIC PART NUMBER: LW-1764

MFG. HOLE DESIGNATION: " - " - #30(.1285) DIA  
"A" - #19 (.1660) DIA

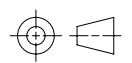
RECEPTACLE SIZE (DIA) IN SIXTEENTHS OF AN INCH (SEE TABLE I.)

FRAME THICKNESS IN THOUSANDTHS OF AN INCH

MOUNTING FLANGE DESIGNATION

MATERIAL DESIGNATION: " - " - ALUMINUM  
"C" - CRES  
"S" - STEEL

NO.	SOUTHCO PART NUMBER	QTY	TYPE OF COMPONENT	MATERIAL	FINISH	GENERAL NOTES
5	LW-1764-XY1-ZZZ	1	ASSEMBLY	SEE PART NUMBER INFO	SEE PART NUMBER INFO	
4	-	1	SPRING	SEE PART NUMBER INFO	SEE PART NUMBER INFO	
3	-	1	HOUSING ASSY	SEE PART NUMBER INFO	SEE PART NUMBER INFO	
2	-	1	PLUNGER	SEE PART NUMBER INFO	SEE PART NUMBER INFO	
1	-	1	RETAINING DISC	SEE PART NUMBER INFO	SEE PART NUMBER INFO	

THIRD ANGLE PROJECTION 		<b>southco</b> <sup>®</sup> CONNECT • CREATE • INNOVATE		
INCHES [MM]				
SURFACE AREA XXXXXmm <sup>2</sup>		DESCRIPTION LW TWO HOLE RECEPTACLE LOCKWELL PIN		
VOLUME XXXXXmm <sup>3</sup>				
PROPRIETARY ITEM <small>EXCEPT FOR USES EXPRESSLY GRANTED IN WRITING, INFORMATION DISCLOSED HEREON IS CONFIDENTIAL AND ALL RIGHTS, PATENT AND OTHERWISE, ARE RESERVED BY SOUTHCO, INC.</small>		SIZE B	SYSTEM NX	DWG NO. J-LW-1764-1
PER ASME Y14.5M-1994		DRAWN BY ACH	DATE 07MAY2010	SCALE 1.5:1
				SHEET 1 OF 1