

<b>southco</b>	REV	DATE	DRAWN/CHKD	DESCRIPTION	COMPACT LONG ISLAND	DATE	DRAWN	CHKD	SCALE	DRAWING NUMBER
	A	080CT2009	MF/HJ	RELEASED FOR PRODUCTION		J-MC-01-120-YY	080CT2009	MF	HJ	-
PROPRIETARY ITEM - EXCEPT FOR USES EXPRESSLY GRANTED IN WRITING INFORMATION DISCLOSED HEREON IS CONFIDENTIAL AND ALL RIGHTS PATENT AND OTHERWISE ARE RESERVED BY SOUTHCO, INC.										
ALL DIMENSIONS WITHOUT TOLERANCES ARE FOR REFERENCE ONLY.										
MILLIMETERS										
THIRD ANGLE PROJECTION										
A3 PAPER SIZE										

MATERIAL AND FINISH

LATCH MODULE  
 - LOCK ENGINE; BRASS  
 - DEAD BOLT; BRASS, NICKEL PLATED  
 - INTERNAL COMPONENTS; BRASS, ABS  
 - SPRINGS; 304 STAINLESS STEEL  
 FOREND; BRASS, NICKEL PLATED  
 SCREWS; 316 STAINLESS STEEL  
 HANDLES; BRASS, FINISH SEE TABLE  
 ESCUTCHEONS AND ACCENTS; BRASS, SEE TABLE FOR FINISH  
 PRIVACY KNOB; BRASS, SEE TABLE FOR FINISH  
 PRIVACY KNOB COVER; ABS  
 ESCUTCHEON HOLDER; ABS  
 DRIVEBAR; BRASS  
 WASHERS; PA6, WHITE  
 SET SCREWS 10/32"; 316 STAINLESS STEEL

NOTES

1. DOOR THICKNESS RANGE "C": 19 - 32mm [3/4" - 1-14"]
2. FOR PANEL PREPARATION INSTRUCTIONS. SEE DRAWING NUMBER J-MC-01-120-YY-2
3. FOR AVAILABLE STRIKERS SEE: H-MC-90-2XX-YY, H-MC-90-3XX-YY AND H-MC-9590
5. SEE SOUTHCO MARINE HANDBOOK FOR MORE DETAILED INSTALLATION INSTRUCTIONS

PART NUMBER SYSTEM

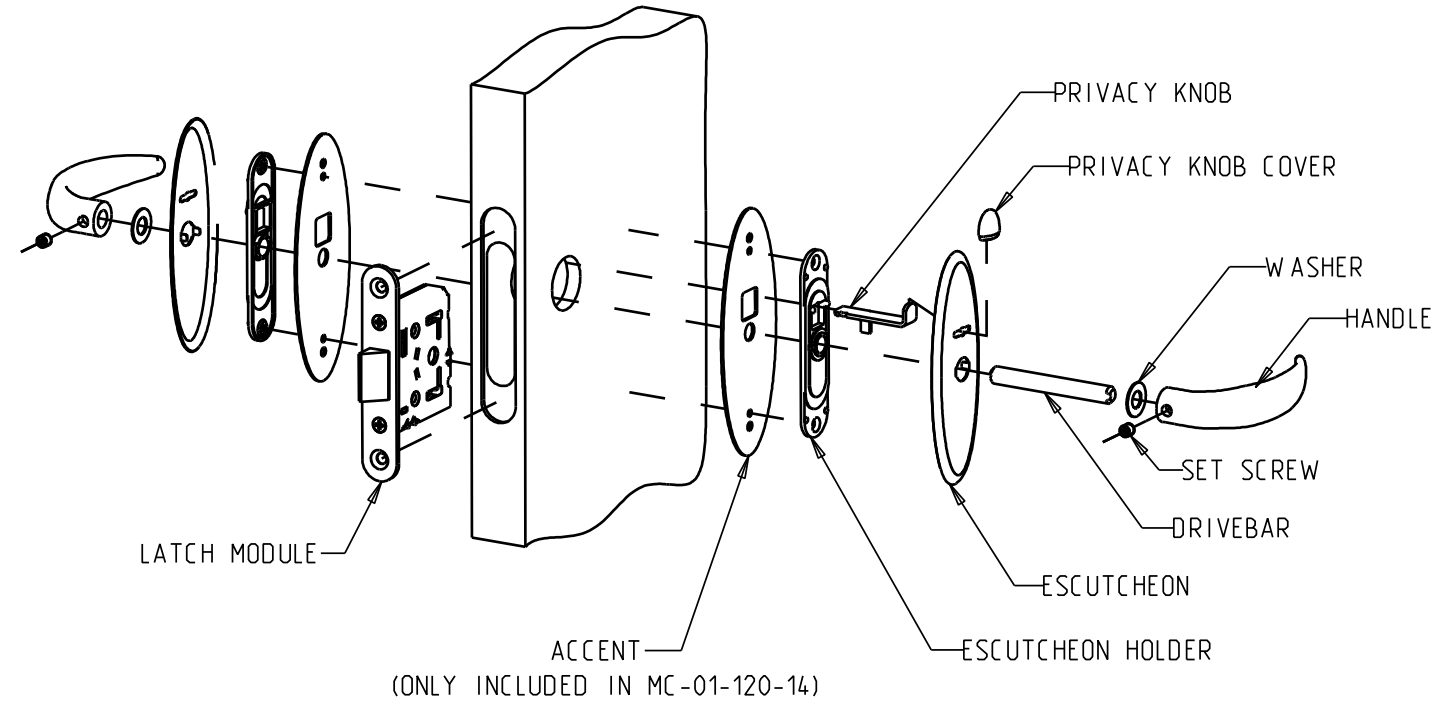
MC-01-120-YY

FINISH

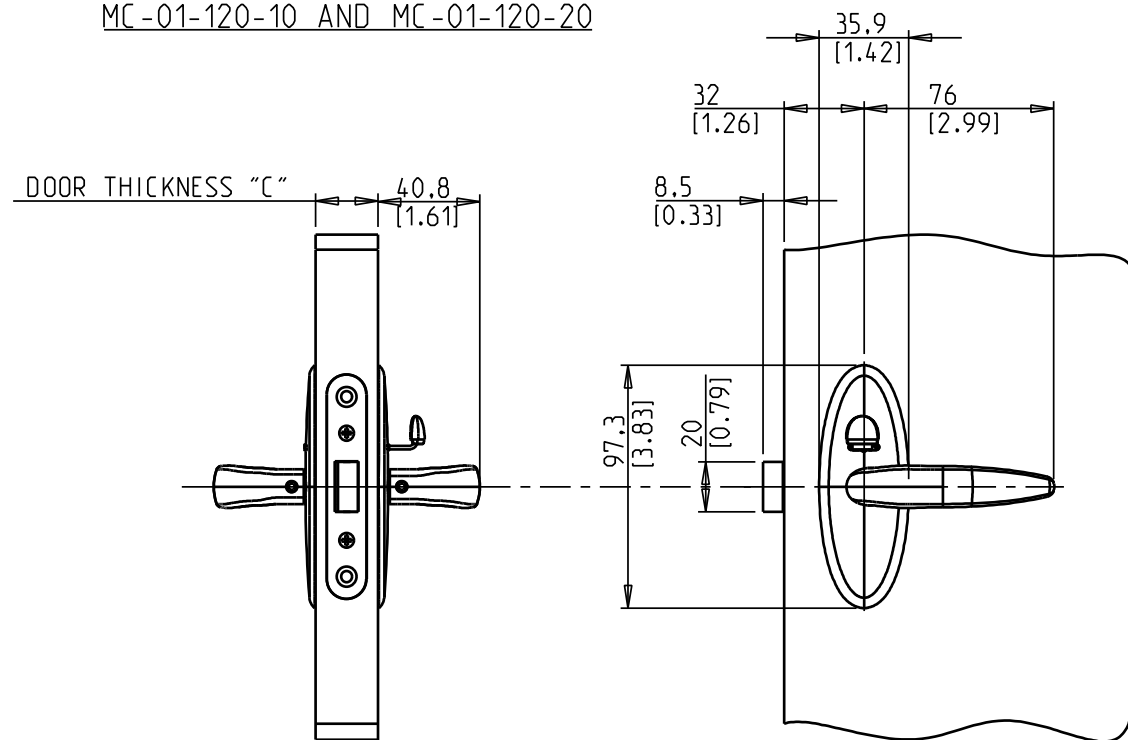
FINISH FOR HANDLES, PRIVACY KNOB, ESCUTCHEONS AND ACCENTS (YY)

- 10 - CHROME
- 14 - BRIGHT CHROME WITH BRASS ACCENT
- 20 - SATIN CHROME

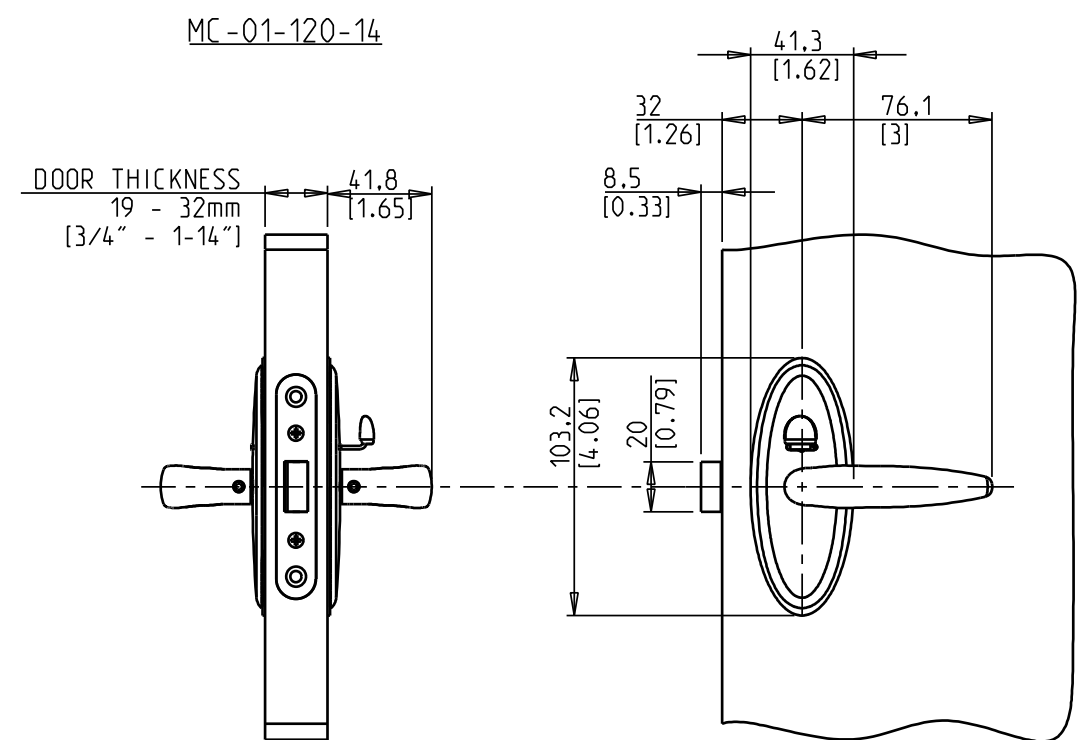
MILLIMETER [INCH]  
 MILLIMETER [INCH]



MC-01-120-10 AND MC-01-120-20



MC-01-120-14



**southco**

PROPRIETARY ITEM - EXCEPT FOR USES EXPRESSLY GRANTED IN WRITING INFORMATION DISCLOSED HEREON IS CONFIDENTIAL AND ALL RIGHTS PATENT AND OTHERWISE ARE RESERVED BY SOUTHCO, INC.

COMPACT LONG ISLAND - PANEL PREPARATION

DRAWING NUMBER

J-MC-01-120-YY-2

REV DATE

A 080CT2009

DRAWN/CHKD

MF/HJ

DESCRIPTION

RELEASED FOR PRODUCTION

DATE

080CT2009

DRAWN

MF

CHKD

HJ

SCALE

1:2

MILLIMETERS

ALL DIMENSIONS WITHOUT TOLERANCES ARE FOR REFERENCE ONLY.



THIRD ANGLE PROJECTION

A3

PAPER SIZE

MILLIMETER [INCH]  
MILLIMETER [INCH]

NOTES

PANEL PREPERATION FOR ASSEMBLIES MC-01-120-YY

