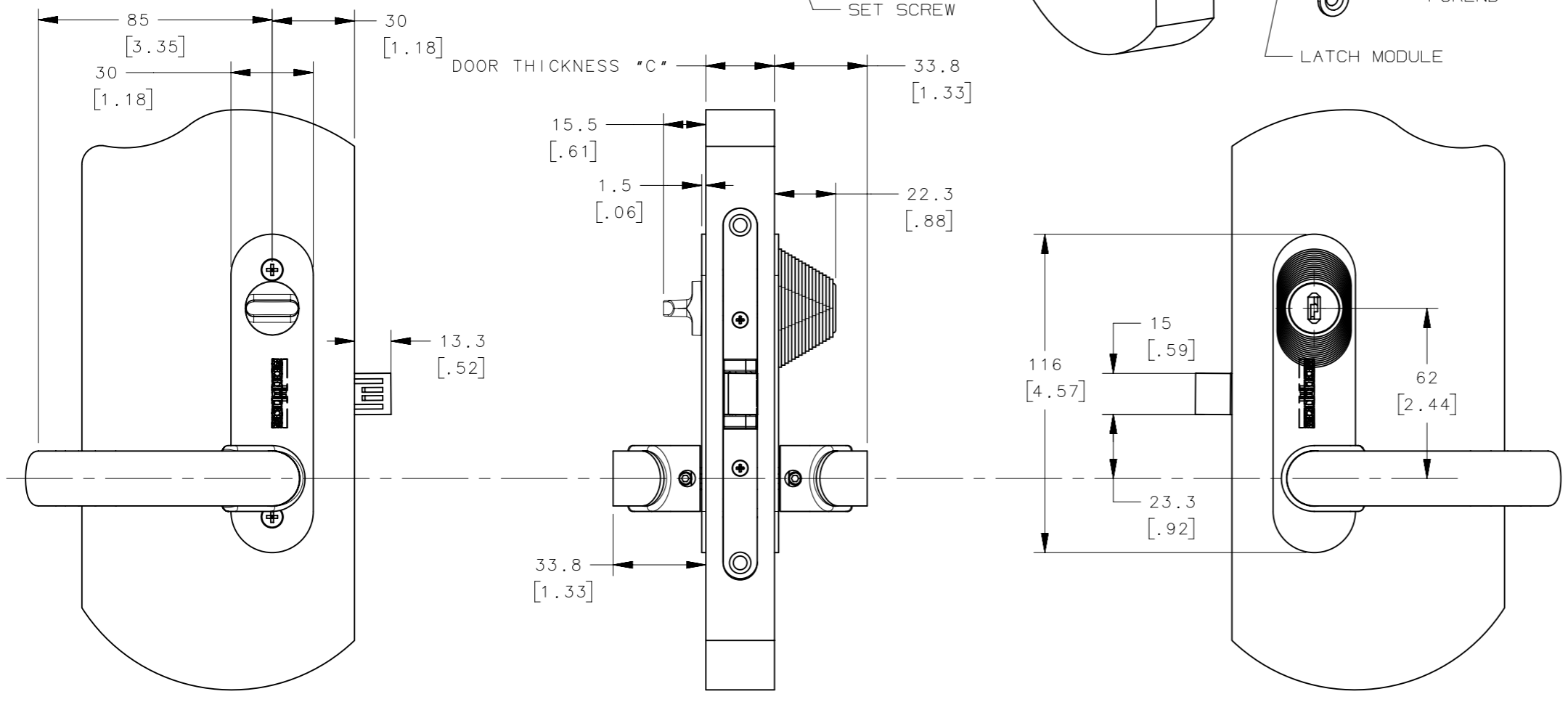
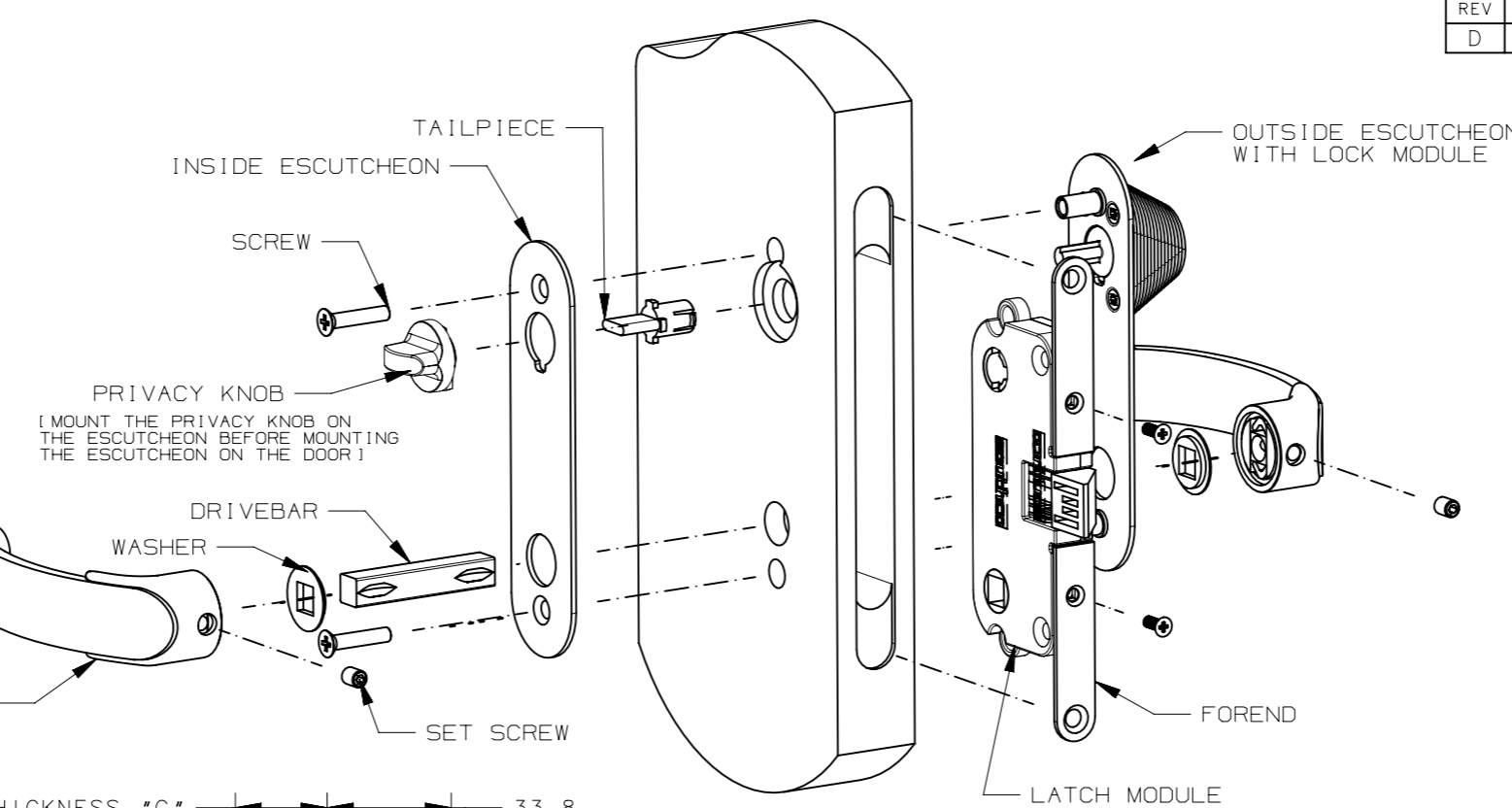


REVISION HISTORY			
REV	DATE	BY	DESCRIPTION
D	29MAR2023	APA/VK	PRN: P2023-0586

MATERIAL AND FINISH
LATCH MODULE.
 - LOCK ENGINE: ALUMINIUM.
 - DEAD BOLT: REINFORCED NYLON (PA6).
 - INTERNAL COMPONENTS: POM, PA6.
 - SPRINGS: 304 STAINLESS STEEL.
LOCK MODULE.
 - HOUSING: POM.
 - INTERNAL COMPONENTS: PA6, BRASS, POM.
SCREWS AND NUTS: 316 STAINLESS STEEL.
HANDLES: BRASS [YY=10].
 ALUMINIUM [YY=50&60].
 SEE TABLE FOR FINISH.
CENTRUM FOR HANDLE: POM.
ESCUTCHEONS: BRASS [YY=10].
 ALUMINIUM [YY=50&60].
 SEE TABLE FOR FINISH.
PRIVACY KNOB: POM.
DRIVEBAR: ALUMINIUM.
WASHERS: POM.
SET SCREWS 10/32"; 316 STAINLESS STEEL.



PART NUMBER SYSTEM
 ME-02-A1C-YY

DIRECTION
 DOOR THICKNESS
 FINISH

DIRECTION [A]
 2 - RIGHT OUT
 3 - RIGHT IN
 4 - LEFT OUT
 5 - LEFT IN

FINISH FOR HANDLES AND ESCUTCHEONS [YY]
 10 - CHROME
 50 - BLACK
 60 - ALUMINIUM

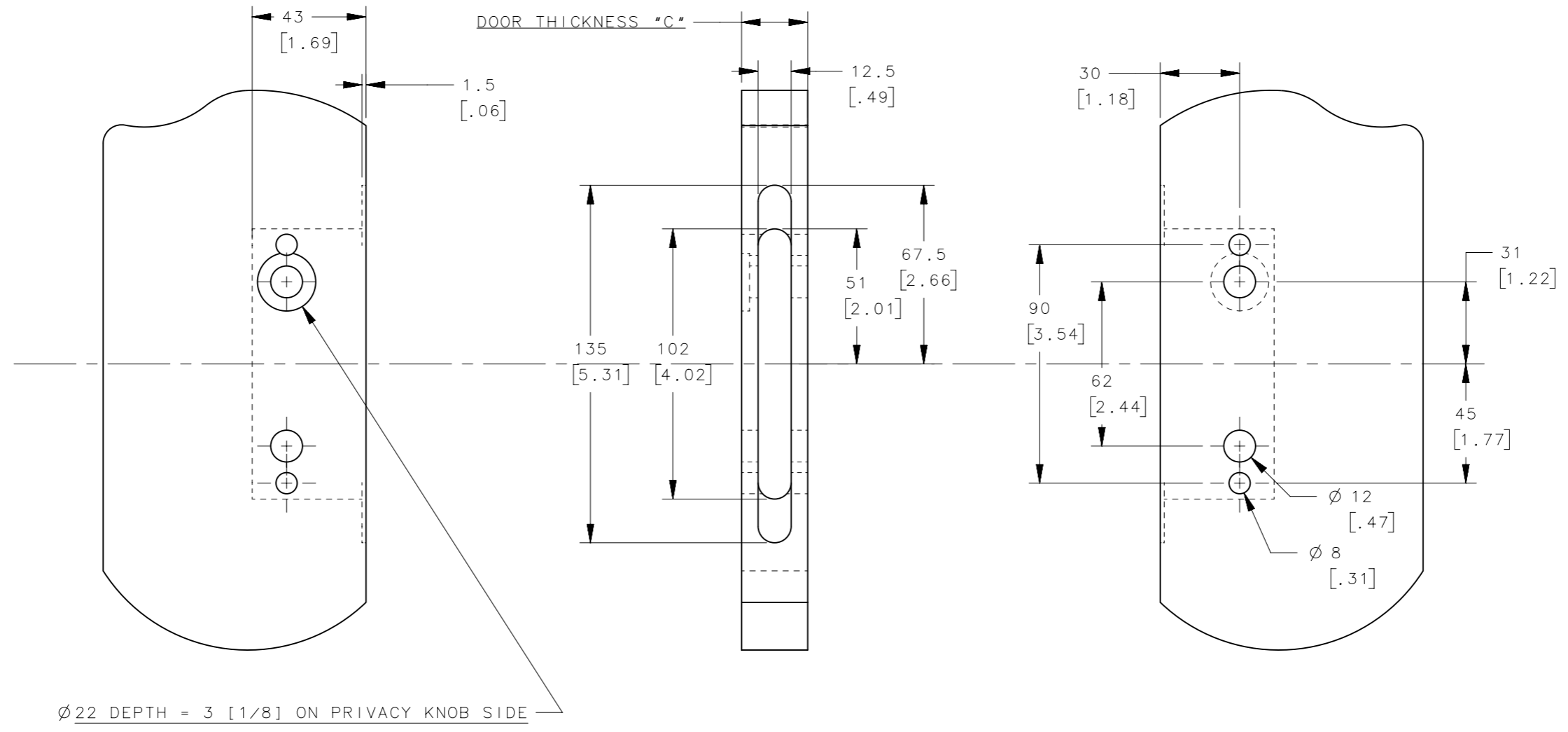
DOOR THICKNESS [C]
 4 - 18-22mm [11/16" - 7/8"]
 5 - 22-27mm [7/8" - 1-1/16"]
 6 - 27-32mm [1-1/16" - 1-1/4"]
 7 - 32-37mm [1-1/4" - 1-1/2"]

NOTES

- DOOR THICKNESS RANGE "C": 18 - 37mm. [11/16" - 1-1/2"].
- FOR PANEL PREPERATION INSTRUCTIONS SEE DRAWING J-ME-02-A1C-YY SHEET 2.
- FOR AVAILABLE STRIKERS SEE H-MC-90-2XX-YY' H-MC-90-3XX-YY AND H-MC-9590.
- SEE SOUTHCO MARINE HANDBOOK FOR MORE DETAILED INSTALLATION INSTRUCTIONS.

THIRD ANGLE PROJECTION			
TOLERANCES UNLESS OTHERWISE NOTED	DESCRIPTION		
ALL DIMENSIONS WITHOUT TOLERANCES ARE FOR REFERENCE ONLY.	OFFSHORE MORTISE KEY LOCKING		
PROPRIETARY ITEM	SIZE	SYSTEM	DWG NO.
EXCEPT FOR USES EXPRESSLY GRANTED IN WRITING, INFORMATION DISCLOSED HEREON IS CONFIDENTIAL AND ALL RIGHTS, PATENT AND OTHERWISE, ARE RESERVED BY SOUTHCO, INC.	A3	NX	J-ME-02-A1C-YY
PER ASME Y14.5M-1994	DRAWN BY	DATE	SCALE
	RFA/DTB	13DEC2012	1:2
			SHEET 1 OF 2

REVISION HISTORY			
REV	DATE	BY	DESCRIPTION
D	29MAR2023	APA/VK	PRN: P2023-0586



NOTE:
-PANEL PREPERATION FOR ASSEMBLIES ME-02-A1C-YY

PROPRIETARY ITEM <small>EXCEPT FOR USES EXPRESSLY GRANTED IN WRITING, INFORMATION DISCLOSED HEREON IS CONFIDENTIAL AND ALL RIGHTS, PATENT AND OTHERWISE, ARE RESERVED BY SOUTHCO, INC.</small>	THIRD ANGLE PROJECTION			
	MILLIMETERS [IN]			
	TOLERANCES UNLESS OTHERWISE NOTED	DESCRIPTION		
	ALL DIMENSIONS WITHOUT TOLERANCES ARE FOR REFERENCE ONLY.	OFFSHORE FLUSH KEY LOCKING PANEL PREPERATION		
PER ASME Y14.5M-1994	SIZE A3	SYSTEM NX	DWG NO. J-ME-02-A1C-YY	
	DRAWN BY RFA/DTB	DATE 13DEC2012	SCALE 1:2	SHEET 2 OF 2