

6

5

4

3

2

1

MATERIAL AND FINISH

LATCH MODULE

- LOCK ENGINE: ALUMINIUM.
 - DEAD BOLT: 316 STAINLESS STEEL.
 - INTERNAL COMPONENTS: POM, PA6.
 - SPRINGS: 316 STAINLESS STEEL.
- SCREWS AND NUTS: 316 STAINLESS STEEL
HANDLES: BRASS [YY=10].

ALUMINIUM [YY=50&60]
SEE TABLE FOR FINISH.

CENTRUM FOR HANDLES: POM.

ESCUTCHEONS:BRASS [YY= 10]

ALUMINIUM [YY= 50&60]
SEE TABLE FOR FINISH.

PRIVACY KNOB: POM.

DRIVEBAR: ALUMINIUM.

WASHERS: POM.

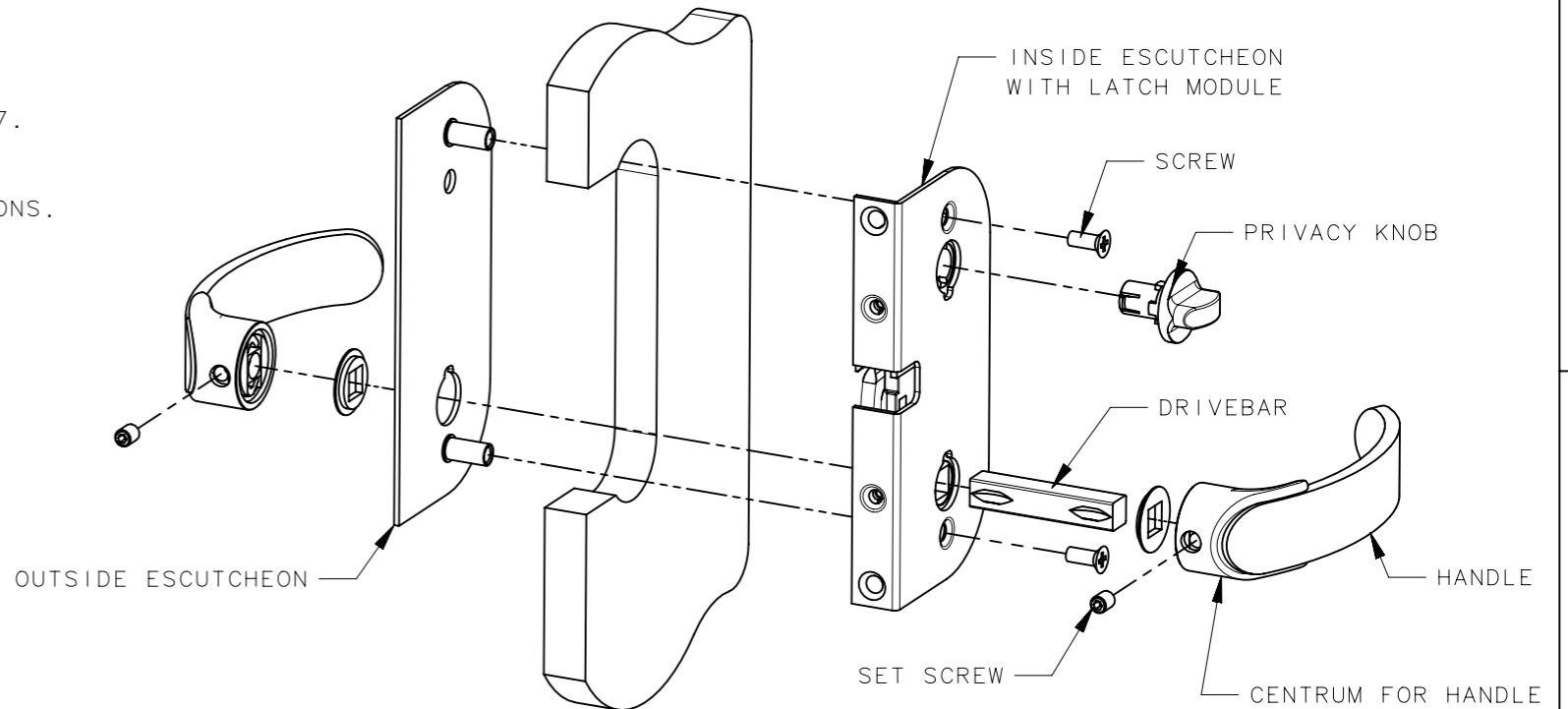
SET SCREWS 10/32": 316 STAINLESS STEEL.

NOTES.

1. DOOR THICKNESS RANGE "C": 12.7 - 25.4mm [1/2" - 1"]
2. FOR PANEL PREPERATION INSTRUCTIONS, SEE DRAWING NUMBER J-ME-03-AOC-YY-2.
3. FOR AVAILABLE STRIKER SEE: J-ME-R8377.
4. SEE SOUTHCO MARINE HANDBOOK FOR MORE DETAILED INSTALLATION INSTRUCTIONS.

REVISION HISTORY			
REV	DATE	BY	DESCRIPTION
C	29MAR2023	APA/VK	PRN: P2023-0586

STRIKER



PART NUMBER SYSTEM

ME-03-AOC-YY

DIRECTION
DOOR THICKNESS
FINISH

DIRECTION [A]

- 6 - RIGHT
- 7 - LEFT

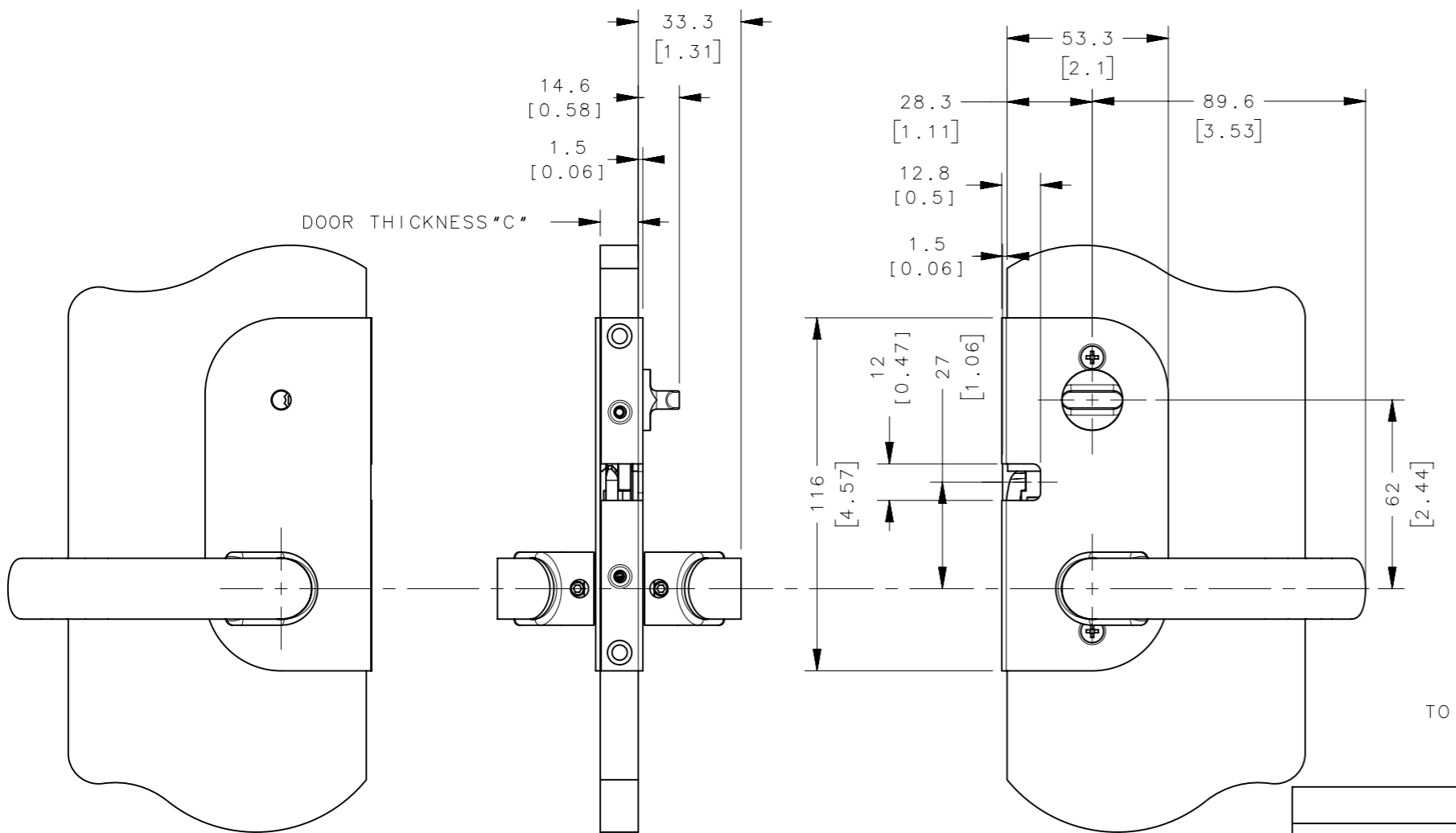
DOOR THICKNESS [C] ±1.5mm [1/16"]

- 1 - 12.7mm [1/2"]
- 2 - 19mm [3/4"]
- 3 - 25.4mm [1"]

FINISH FOR HANDLES AND ESCUTCHEONS (YY)

- 10 - CHROME
- 60 - ALUMINIUM

OPTIONAL SPACER ME-R8362
TO ENABLE 8MM [5/46"] DOOR THICKNESS



THIRD ANGLE PROJECTION

MILLIMETERS [IN]

TOLERANCES UNLESS OTHERWISE NOTED

ALL DIMENSIONS WITHOUT TOLERANCES ARE FOR REFERENCE ONLY.

PROPRIETARY ITEM
EXCEPT FOR USES EXPRESSLY GRANTED IN WRITING, INFORMATION DISCLOSED HEREON IS CONFIDENTIAL AND ALL RIGHTS, PATENT AND OTHERWISE, ARE RESERVED BY SOUTHCO, INC.

PER ASME Y14.5M-1994



DESCRIPTION
CURVED OFFSHORE PRIVACY LOCKING

SIZE A3 SYSTEM NX DWG NO. J-ME-03-AOC-YY

DRAWN BY MF/HJ DATE 13OCT2009 SCALE 1:2 SHEET 1 OF 2

6

5

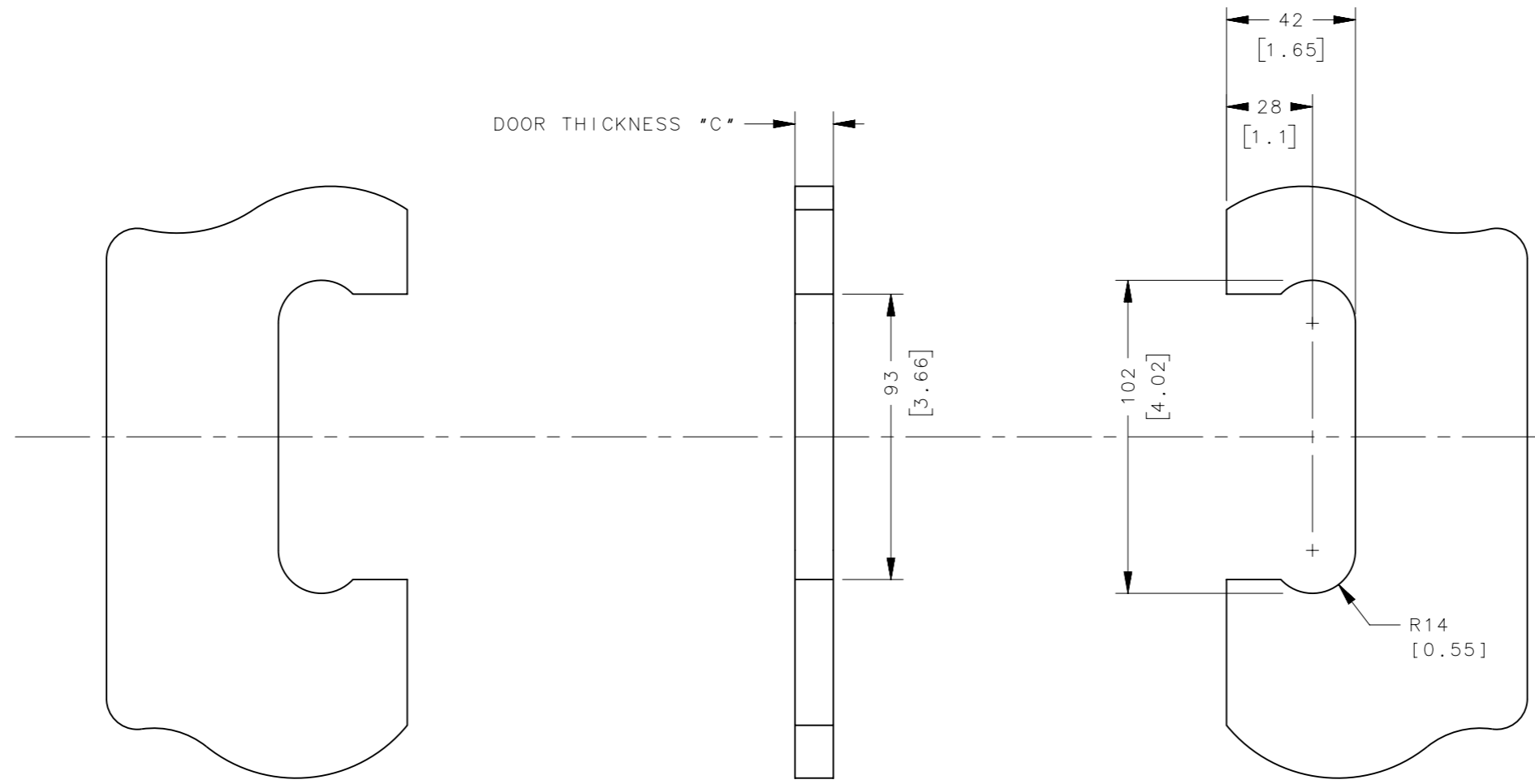
4

3

2

1

REVISION HISTORY			
REV	DATE	BY	DESCRIPTION
C	29MAR2023	APA/VK	PRN: P2023-0586



NOTE

-PANEL PREPERATION FOR ASSEMBLIES ME-03-A0C-YY

THIRD ANGLE PROJECTION		southco [®] CONNECT • CREATE • INNOVATE	
MILLIMETERS [IN]			
TOLERANCES UNLESS OTHERWISE NOTED		DESCRIPTION PANEL PREPERATION FOR CURVED OFFSHORE PRIVACY LOCKING	
ALL DIMENSIONS WITHOUT TOLERANCES ARE FOR REFERENCE ONLY.		SIZE A3	SYSTEM NX
PROPRIETARY ITEM <small>EXCEPT FOR USES EXPRESSLY GRANTED IN WRITING, INFORMATION DISCLOSED HEREON IS CONFIDENTIAL AND ALL RIGHTS, PATENT AND OTHERWISE, ARE RESERVED BY SOUTHCO, INC.</small>		DATE 13OCT2009	DWG NO. J-ME-03-A0C-YY
PER ASME Y14.5M-1994		DRAWN BY MF/HJ	SCALE 1:1
		DATE 13OCT2009	SHEET 2 OF 2