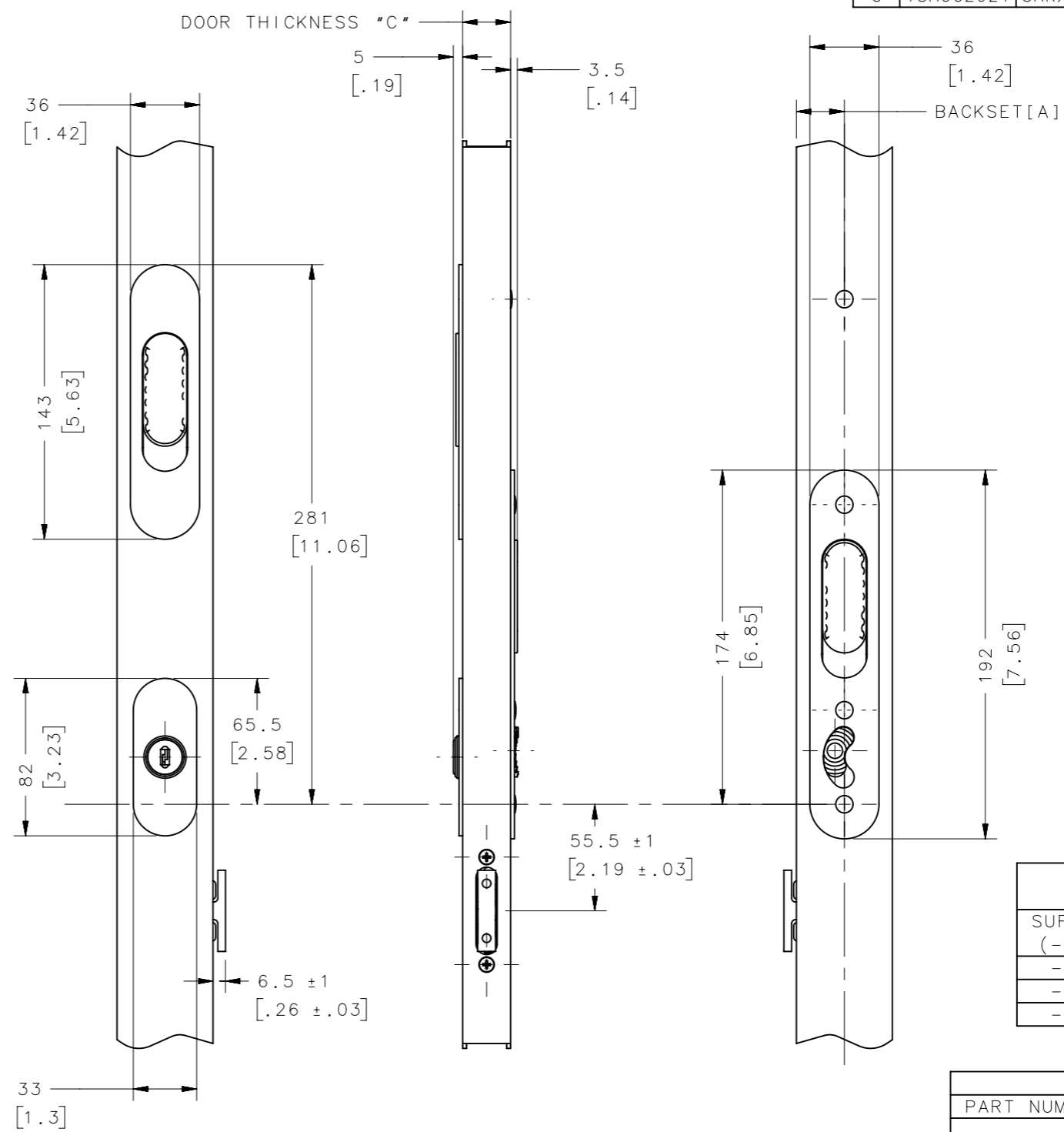
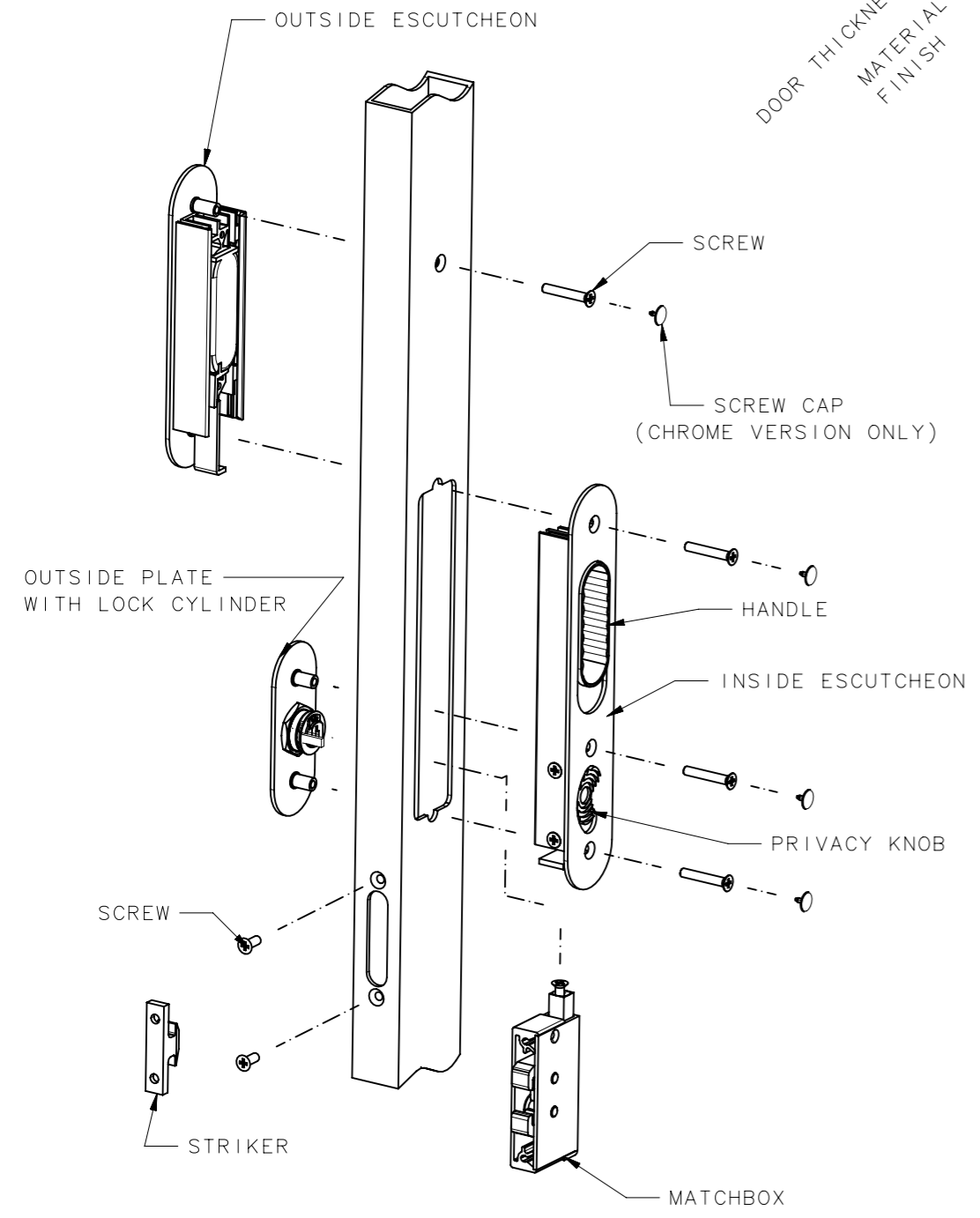


REVISION HISTORY			
REV	DATE	BY	DESCRIPTION
C	18AUG2021	SAK/MBT	PRN: P2021-1651

PART NUMBER SYSTEM

MM-01-11C-YY

DOOR THICKNESS
MATERIAL &
FINISH



MATERIAL AND FINISH

- ALL VERSIONS
- HANDLES AND PRIVACY KNOB: POM.
 - SCREWS AND WASHERS: 316 STAINLESS STEEL.
 - SPRINGS: 304 STAINLESS STEEL.
 - MATCHBOX HOUSING AND PLUNGER: ALUMINIUM NATURAL ANODIZED.
 - MATCHBOX HOOK AND STRIKER: BRASS, NICKEL PLATED.
 - LOCK CYLINDER ASSEMBLY: PA12 GF, BRASS.
- MM-01-10C-10
- PLATE: BRASS, SEE TABLE FOR FINISH.
- MM-01-10C-50 & MM-01-10C-60
- PLATE: ALUMINIUM, SEE TABLE FOR FINISH
 - ESCUTCHEONS: ALUMINIUM, SEE TABLE FOR FINISH.

NOTES

- DOOR THICKNESS RANGE "C":
20.5mm - 38mm [13/16" - 1 1/2"]
- BACKSET [A]:
- MIN .21mm. [53/64"]
- MAX. 38.5mm. [1 33/64"]
- FOR PANEL PREPERATION INSTRUCTIONS, SEE DRAWING NUMBER J-MM-01-11C-YY-2
- SEE SOUTHCO MARINE HANDBOOK FOR MORE DETAILED INSTALLATION INSTRUCTIONS.

ACCESSORIES

	PART NUMBER
MOUNTING TOOL STRIKER	MM-90-103-41
TOP STOP	MM-7520
RAMP TOP STOP	MM-90-201-60
HIGH SEAS HANDLE CHROME	MM-7660
HIGH SEAS HANDLE BLACK	MM-7683

HANDLES AND ESCUTCHEON FINISH	
SUFFIX (-YY)	FINISH
-10	BRIGHT CHROME
-50	BLACK POWDER COAT
-60	NATURAL ANODIZED ALUMINIUM

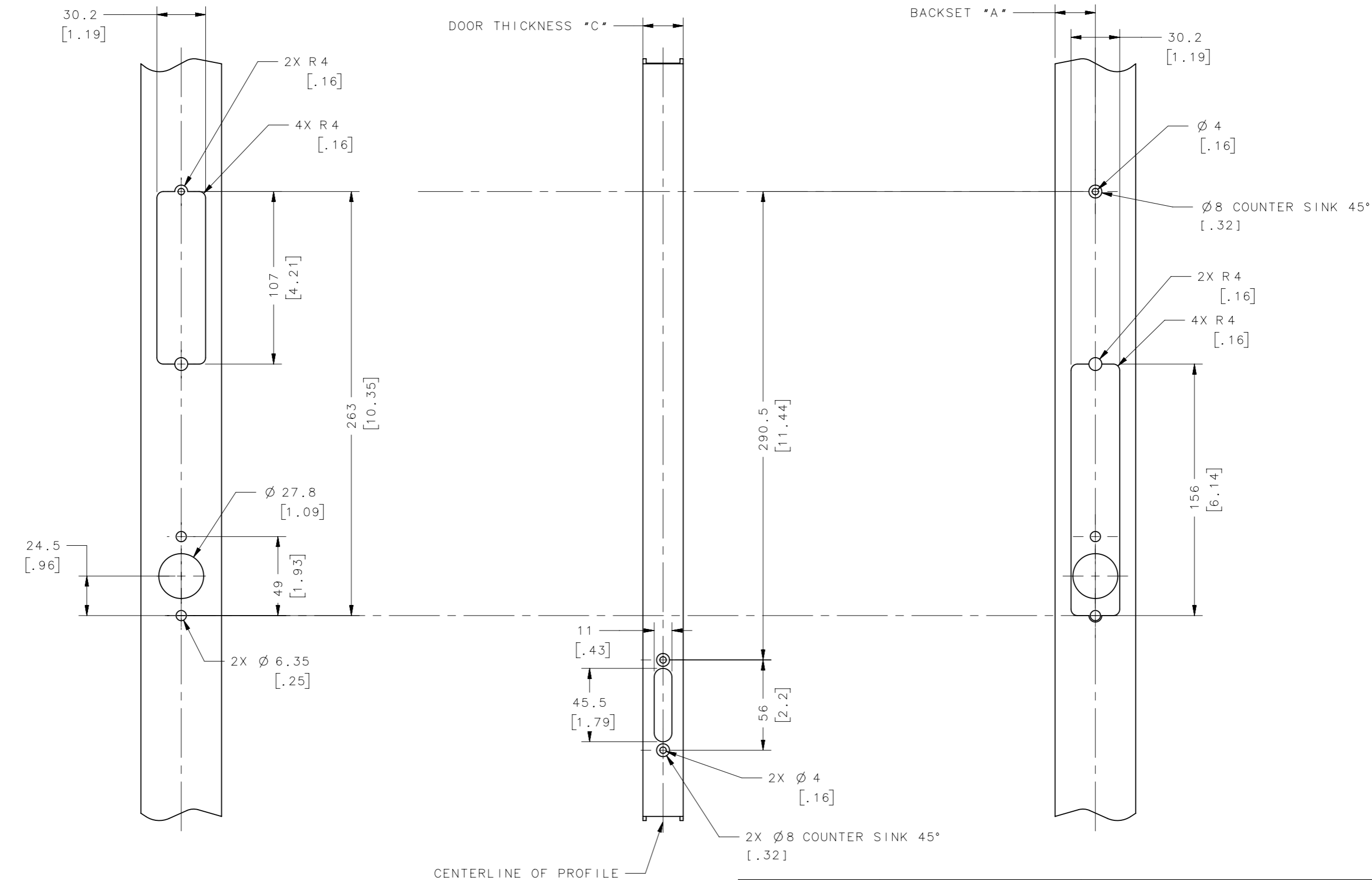
DOOR THICKNESS (C)	
PART NUMBER	THICKNESS RANGE
MM-01-110-YY	20.5 - 23mm (13-16 - 29/32")
MM-01-111-YY	22.5 - 27mm (7/8 - 1 1/16")
MM-01-112-YY	27 - 34.5mm (1 1/16 - 1 3/8")
MM-01-113-YY	28.5 - 38mm (1 1/8 - 1 1/2")

THIRD ANGLE PROJECTION	MILLIMETERS [IN]		DESCRIPTION TALON WITH KEY LOCKING		
					TOLERANCES UNLESS OTHERWISE NOTED
ALL DIMENSIONS WITHOUT TOLERANCES ARE FOR REFERENCE ONLY.		SYSTEM NX	DWG NO. J-MM-01-11C-YY		
PER ASME Y14.5M-1994		DRAWN BY MF/HJ	DATE 22OCT2009	SCALE 0.3:1	SHEET 1 OF 2



PROPRIETARY ITEM
EXCEPT FOR USES EXPRESSLY GRANTED IN WRITING, INFORMATION DISCLOSED HEREON IS CONFIDENTIAL AND ALL RIGHTS, PATENT AND OTHERWISE, ARE RESERVED BY SOUTHCO, INC.

REVISION HISTORY			
REV	DATE	BY	DESCRIPTION
C	18AUG2021	SAK/MBT	PRN: P2021-1651



NOTES:
 PANEL PREPERATION FOR ASSEMBLIES MM-01-11C-YY.

THIRD ANGLE PROJECTION				southco [®] CONNECT • CREATE • INNOVATE	
MILLIMETERS [IN]					
TOLERANCES UNLESS OTHERWISE NOTED		DESCRIPTION TALON WITH KEY LOCKING PANEL PREPERATION			
ALL DIMENSIONS WITHOUT TOLERANCES ARE FOR REFERENCE ONLY.		SIZE A3	SYSTEM NX	DWG NO. J-MM-01-11C-YY-2	
<small>PROPRIETARY ITEM EXCEPT FOR USES EXPRESSLY GRANTED IN WRITING, INFORMATION DISCLOSED HEREON IS CONFIDENTIAL AND ALL RIGHTS, PATENT AND OTHERWISE, ARE RESERVED BY SOUTHCO, INC.</small>		PER ASME Y14.5M-1994	DRAWN BY MF/HJ	DATE 22OCT2009	SCALE 1:2.5 SHEET 2 OF 2