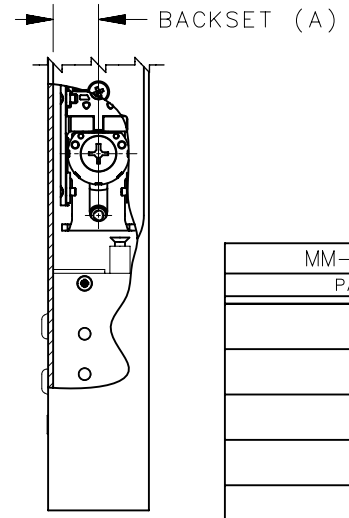
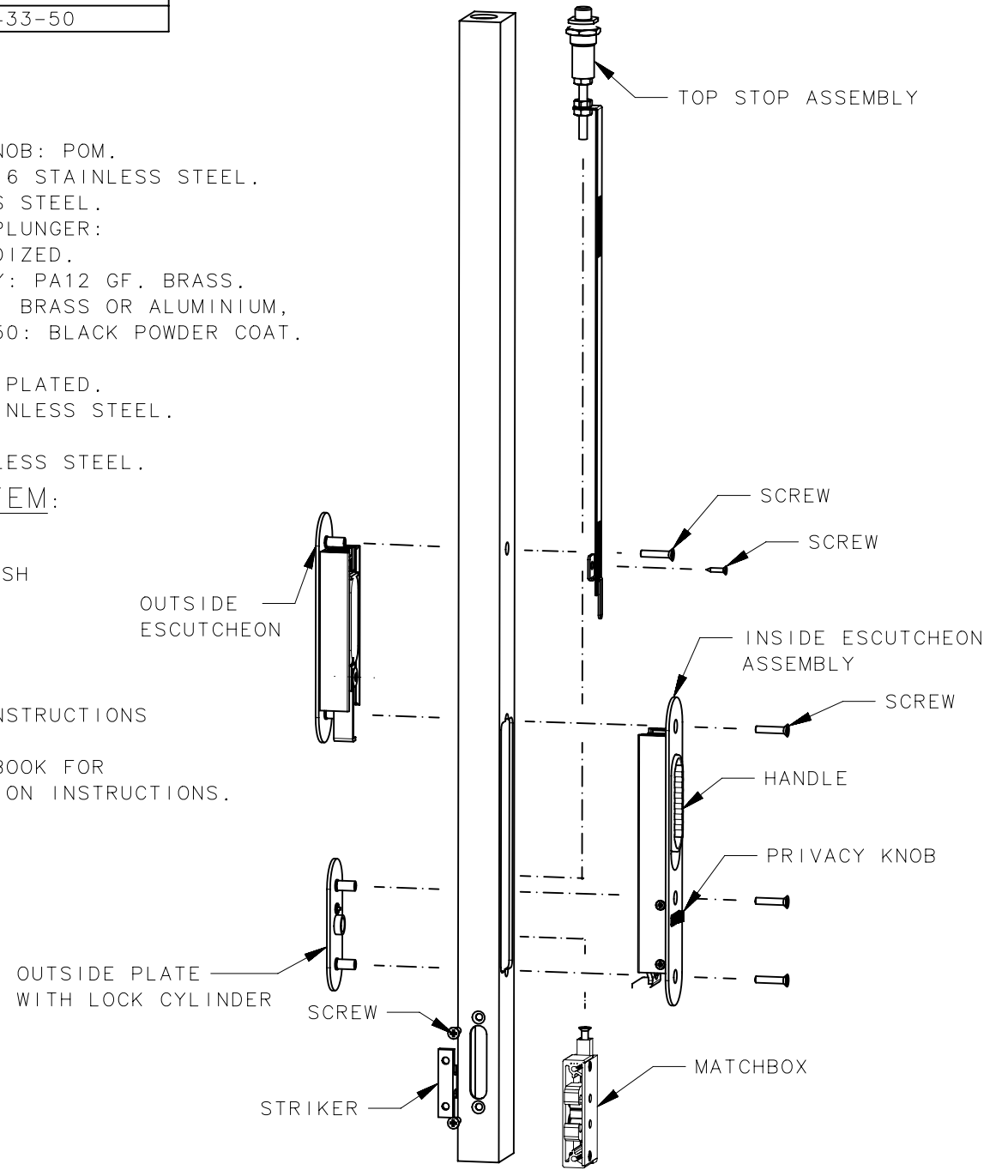
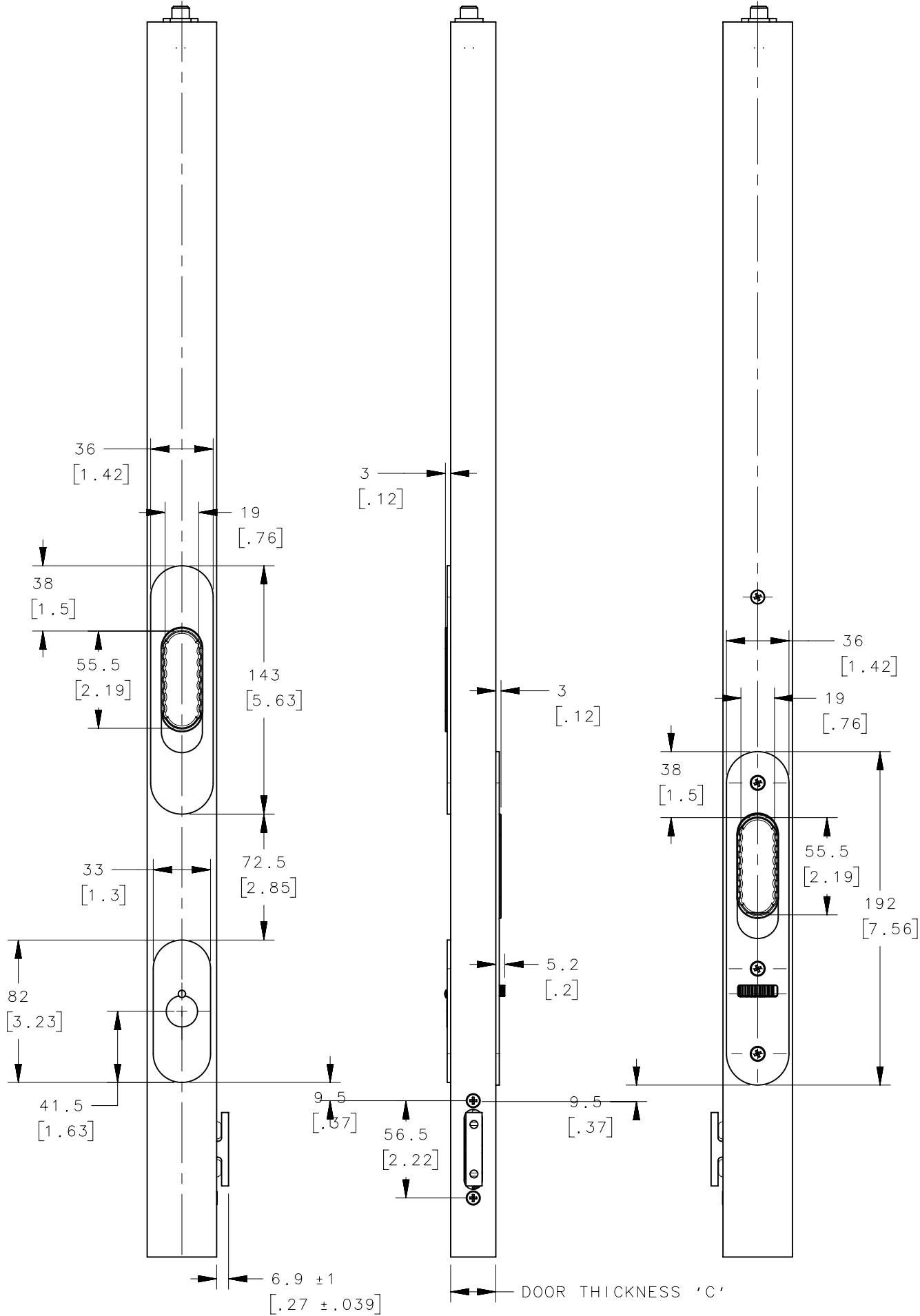


FINISH (YY)	PART NUMBER			
	DOOR THICKNESS (C)			
	20.5[.81] - 23[.91]	23[.91] - 28.5[1.12]	28.5[1.12] - 33.5[1.32]	33.5[1.32] - 38[1.50]
CHROME	MM-01-430-10	MM-01-431-10	MM-01-432-10	MM-01-433-10
BLACK POWDER COATED	MM-01-430-50	MM-01-431-50	MM-01-432-50	MM-01-433-50

REVISION HISTORY			
REV	DATE	BY	DESCRIPTION
A	10FEB2016	DMS/YGC	PRN: P2016-0310

- NOTES:
- MATERIAL FINISH:**
ALL VERSIONS.
- HANDLES AND PRIVACY KNOB: POM.
- SCREWS AND WASHERS: 316 STAINLESS STEEL.
- SPRINGS: 304 STAINLESS STEEL.
- MATCHBOX HOUSING AND PLUNGER: ALUMINIUM, NATURAL ANODIZED.
- LOCK CYLINDER ASSEMBLY: PA12 GF. BRASS.
- ESCUTCHEONS AND PLATE: BRASS OR ALUMINIUM,
-10: BRIGHT CHROME, -50: BLACK POWDER COAT.
TOP STOP ASSEMBLY.
- TOP STOP: BRASS, NICKEL PLATED.
- TOP STOP BRACKET: STAINLESS STEEL.
- ROD: STAINLESS STEEL.
- SCREWS AND NUTS STAINLESS STEEL.
 - PART NUMBER SYSTEM:**
MM-01-43C-YY
DOOR THICKNESS — FINISH
 - BACKSET [A]**
MIN. 21 [53/64"]
MAX. 38.5 [1 33/64"]
 - FOR PANEL PREPERATION INSTRUCTIONS SEE SHEET 2.
 - SEE SOUTHCO MARINE HANDBOOK FOR MORE DETAILED INSTALLATION INSTRUCTIONS.

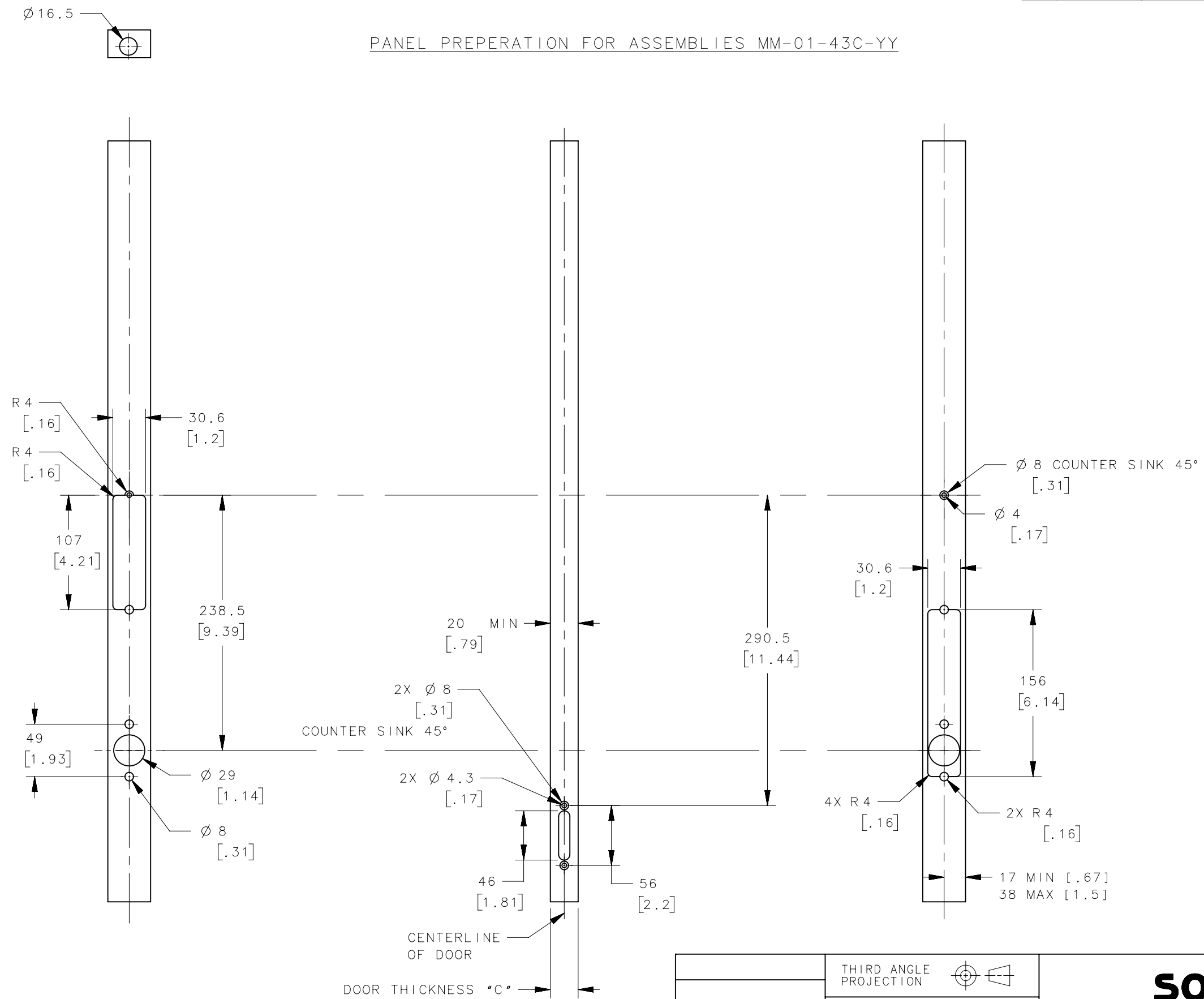


TALON ACCESSORIES	
PART NUMBER	TYPE OF COMPONENT
MM-90-103-41	MOUNTING TOOL FOR STRIKER
MM-7660	HIGH SEAS HANDLE CHROME
MM-7683	HIGH SEAS HANDLE BLACK

MM-01-43X-XX	STAR TALON ASSEMBLY	SEE NOTE 1	SEE NOTE 1
PART NUMBER	TYPE OF COMPONENT	MATERIAL	FINISH
THIRD ANGLE PROJECTION			
MILLIMETERS [IN]			
TOLERANCES UNLESS OTHERWISE NOTED		DESCRIPTION	
ALL DIMENSIONS WITHOUT TOLERANCES ARE FOR REFERENCE ONLY.		STAR STANDARD TALON ENTRY DOOR LOCK WITH TOP STOP	
PROPRIETARY ITEM	PER ASME Y14.5M-1994	SIZE A3	SYSTEM NX
EXCEPT FOR USES EXPRESSLY GRANTED IN WRITING, INFORMATION DISCLOSED HEREON IS CONFIDENTIAL AND ALL RIGHTS, PATENT AND OTHERWISE, ARE RESERVED BY SOUTHCO, INC.		DWG NO. J-MM-01-43	
		DRAWN BY DMS/YGC	DATE 10FEB2016
		SCALE 1:3	SHEET 1 OF 2

REVISION HISTORY			
REV	DATE	BY	DESCRIPTION
A	10FEB2016	DMS/YGC	PRN: P2016-0310

PANEL PREPERATION FOR ASSEMBLIES MM-01-43C-YY



PROPRIETARY ITEM <small>EXCEPT FOR USES EXPRESSLY GRANTED IN WRITING, INFORMATION DISCLOSED HEREON IS CONFIDENTIAL AND ALL RIGHTS, PATENT AND OTHERWISE, ARE RESERVED BY SOUTHCO, INC.</small>	THIRD ANGLE PROJECTION			
	MILLIMETERS [IN]			
	TOLERANCES UNLESS OTHERWISE NOTED	DESCRIPTION		
	ALL DIMENSIONS WITHOUT TOLERANCES ARE FOR REFERENCE ONLY.	STAR STANDARD TALON ENTRY DOOR LOCK WITH TOP STOP		
PER ASME Y14.5M-1994	SIZE A3	SYSTEM NX	DWG NO. J-MM-01-43	
	DRAWN BY DMS/YGC	DATE 10FEB2016	SCALE 1:4	SHEET 2 OF 2