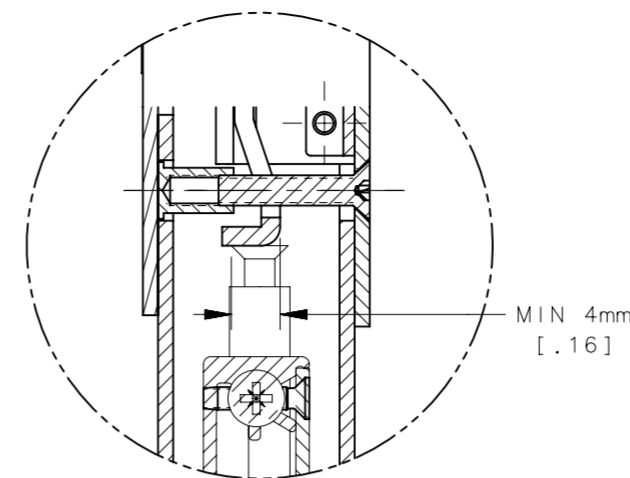
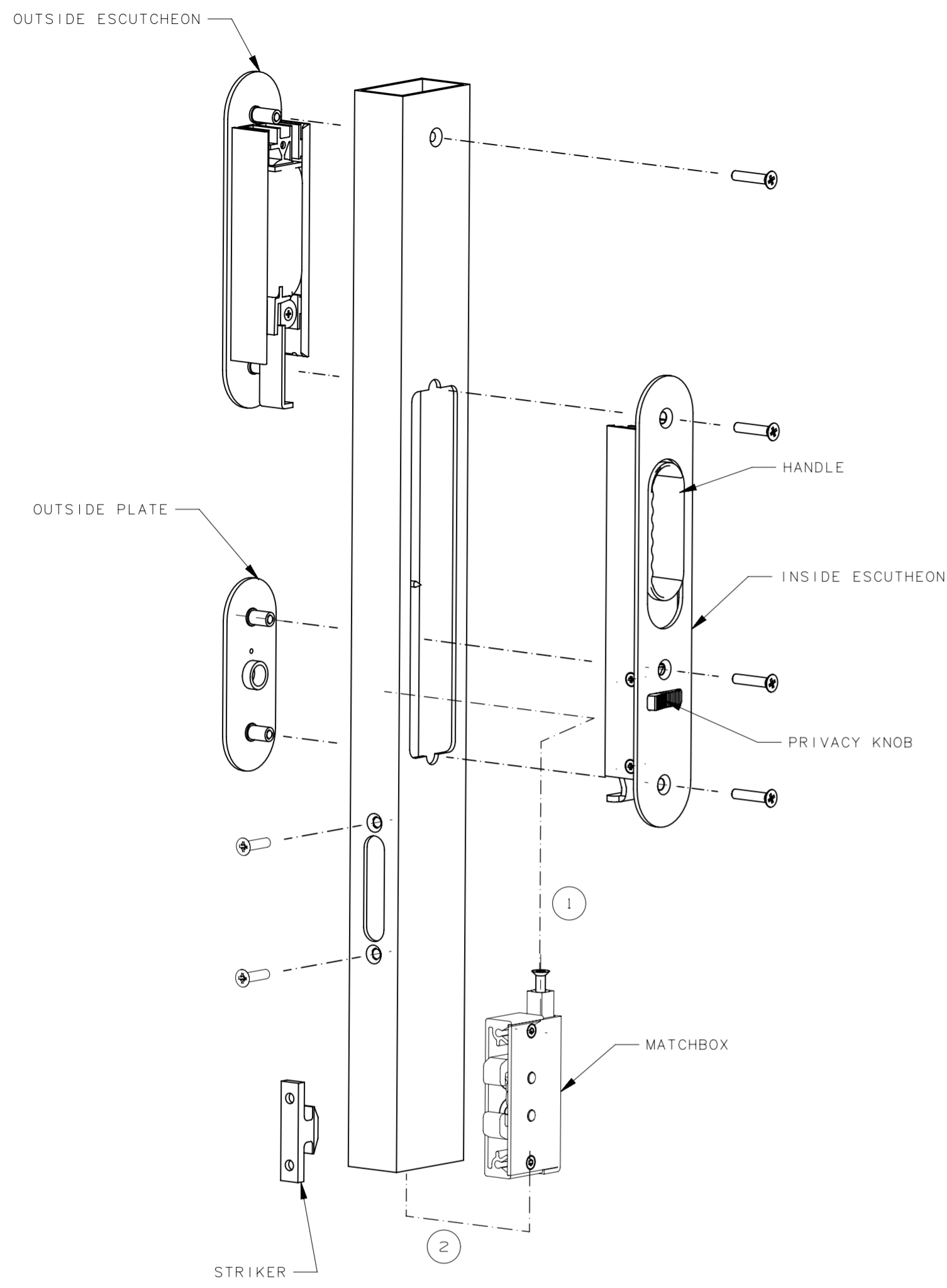
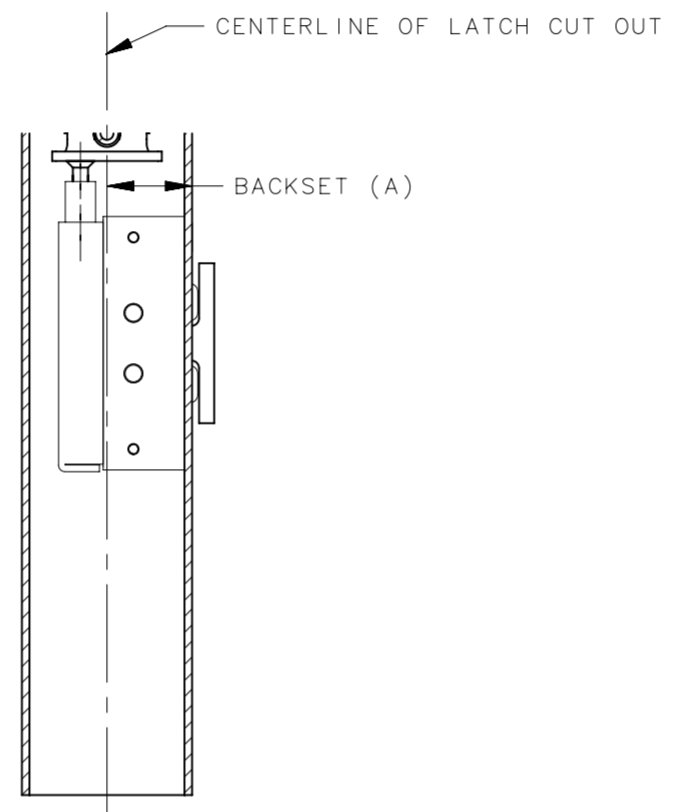


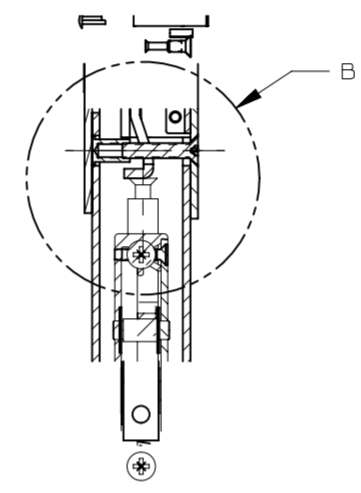
REVISION HISTORY			
REV	DATE	BY	DESCRIPTION
B	14MAY2021	KSH/VK	PRN: P2021-1019



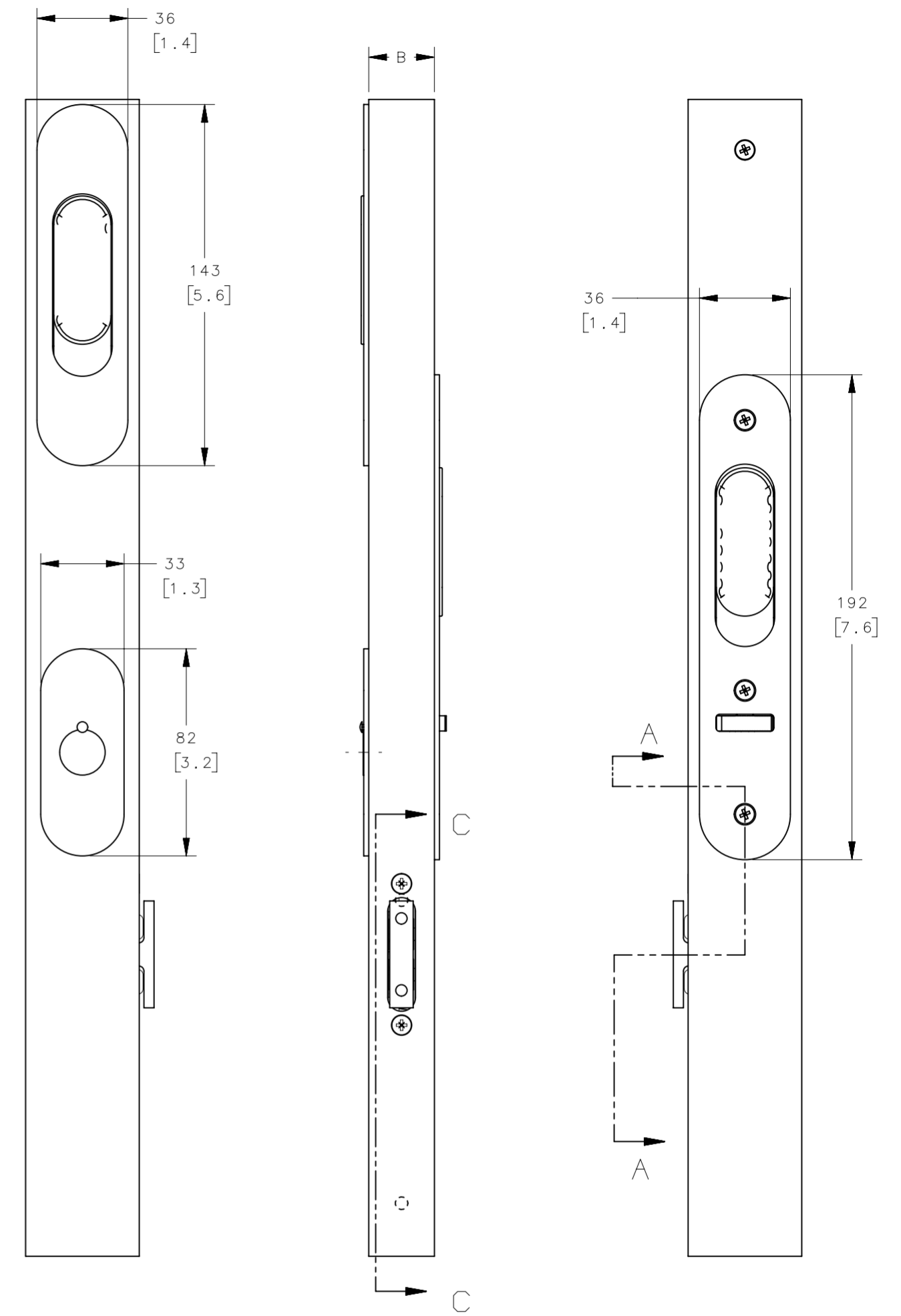
DETAIL B  
SCALE 1:1



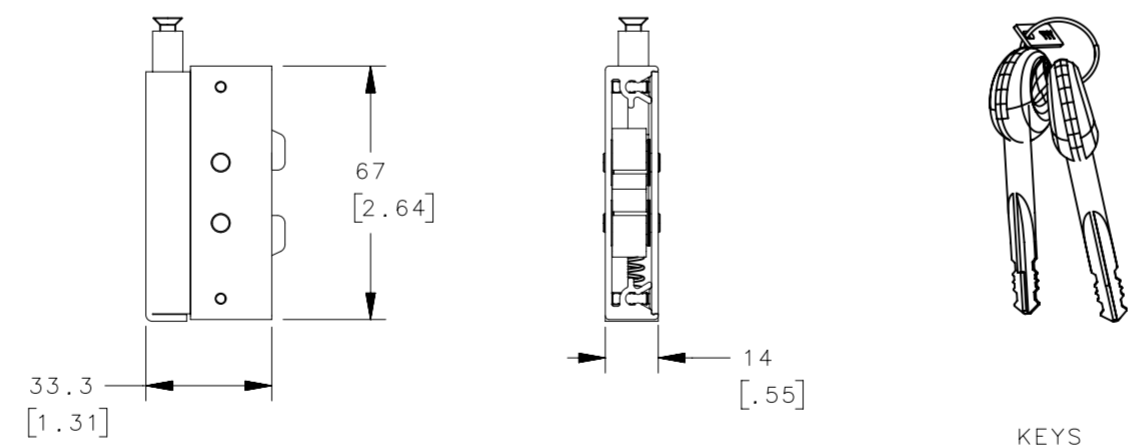
SECTION C - C



SECTION A - A



MATCHBOX DIMENSIONS



KEYS

FOR PANEL PREPERATION INSTRUCTIONS.  
SEE DRAWING NUMBER J-MM-01-1

NOTES:  
SCREW KIT INCLUDES:  
-SCREWS  
-KEYS

MATCHBOX CAN BE INSTALLED  
IN TWO ALTERNATIVE WAYS.  
SEE NOTES 1, 2

MAX WALL THICKNESS 9.5mm (0.37 INCH)

BRACKET (A):  
MIN. BACKSET: 17mm [0.67 INCH]  
MAX. BACKSET: 38MM [1.5 INCH]

MATERIAL AND FINISH:

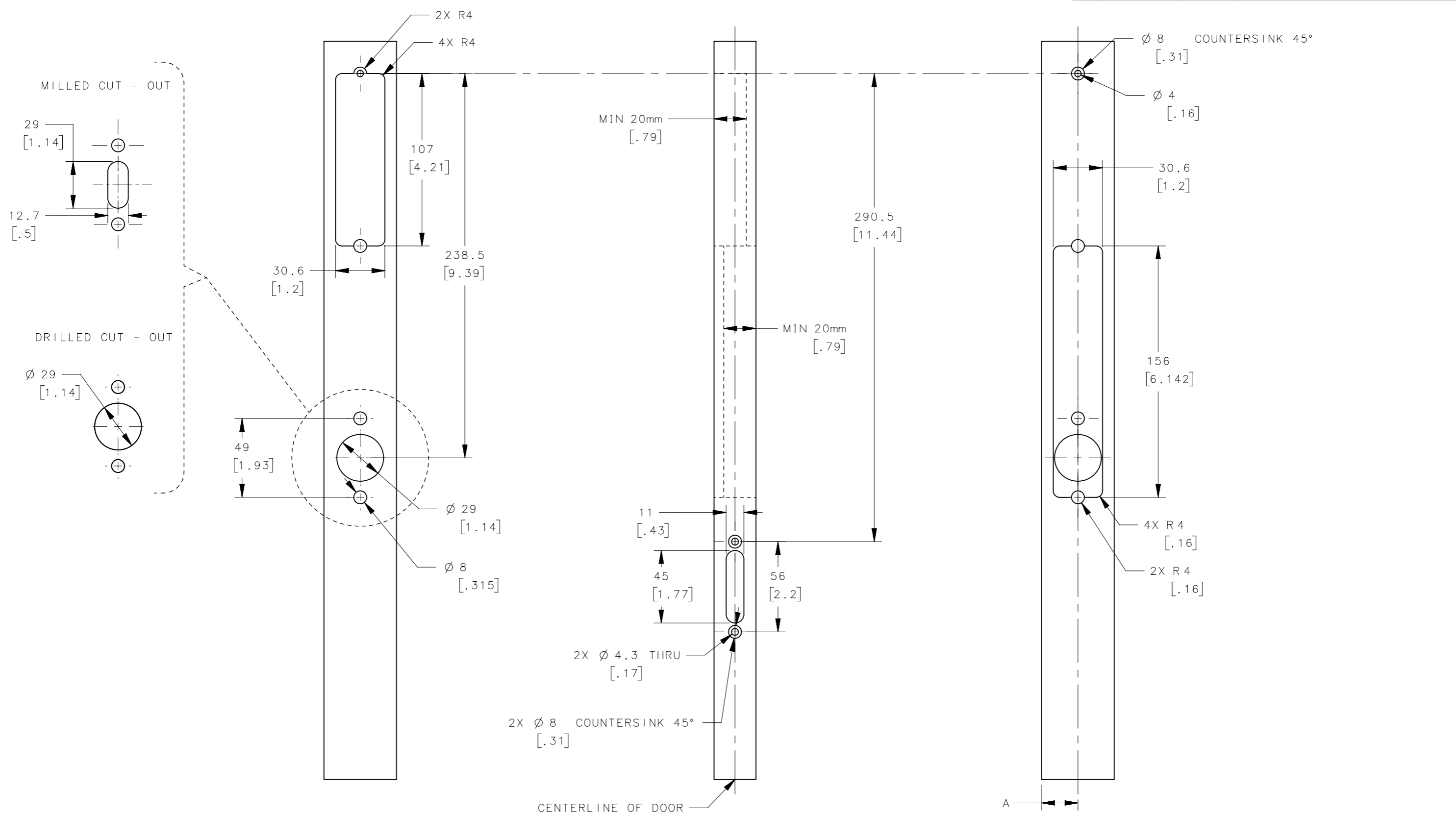
ALL VERSIONS:  
PRIVACY KNOB: BRASS, BRIGHT CHROME PLATED  
MOUNTING SCREWS M4 POZIDRIVE: 316 STAINLESS STEEL.  
WASHERS: NYLON, NATURAL.  
SPRINGS: 300 SERIES STAINLESS STEEL.  
HANDLES AND OTHER PLASTIC COMPONENTS: ACETAL, BLACK.  
MATCHBOX HOUSING AND PLUNGER: ALUMINIUM, NATURAL ANODIZED.  
MATCHBOX HOOKS AND STRIKER: BRASS, NICKEL PLATED  
MM-01-13X-10  
ESCUTCHEONS: ALUMINIUM, BRIGHT CHROME PLATED.  
OUTSIDE PLATE: BRASS, BRIGHT CHROME PLATED  
MM-01-13X-50  
ESCUTCHEONS AND OUTSIDE PLATE: ALUMINIUM, BLACK ANODIZED.

ACCESSORIES	PART NUMBER
MOUNTING TOOL STRIKER	MM-90-103-41
TOP STOP	MM-7520
HIGH SEAS HANDLE CHROME	MM-7660
HIGH SEAS HANDLE BLACK	MM-7683
RAMP FOR TOP STOP	MM-90-201-60

DOOR THICKNESS RANGE	20.5 - 23mm [0.8 - 0.9]	23 - 28.5mm [0.9 - 1.12]	28.5 - 33.5mm [1.12 - 1.32]	33.5mm - 38mm [1.32 - 1.5]
STAR TALON STANDARD OPTION, CHROME	MM-01-130-10	MM-01-131-10	MM-01-132-10	MM-01-133-10
STAR TALON STANDARD OPTION, BLACK	MM-01-130-50	MM-01-131-50	MM-01-132-50	MM-01-133-50

THIRD ANGLE PROJECTION	MILLIMETERS [IN]	 CONNECT · CREATE · INNOVATE	
ALL DIMENSIONS WITHOUT TOLERANCES ARE FOR REFERENCE ONLY.		DESCRIPTION <b>STAR TALON ASSEMBLY</b>	
PROPRIETARY ITEM <small>EXCEPT FOR USES EXPRESSLY GRANTED IN WRITING, INFORMATION DISCLOSED HEREON IS CONFIDENTIAL AND ALL RIGHTS, PATENT AND OTHERWISE, ARE RESERVED BY SOUTHCO, INC.</small>		SIZE A2	SYSTEM NX
PER ASME Y14.5M-1994		DWG NO. J-MM-01	DRAWN BY DA
		DATE 02JUN2004	SCALE 1:2
		SHEET 1 OF 2	

REVISION HISTORY			
REV	DATE	BY	DESCRIPTION
B	14MAY2021	KSH/VK	PRN: P2021-1019



- NOTES:
- PANEL PREPARATION FOR ASSEMBLES MM-01-13X-XX.
  - MIN DEPTH FOR ESCUTCHEON CUTOUTS IS 20mm [0.8 inches]

THIRD ANGLE PROJECTION				 CONNECT • CREATE • INNOVATE		
TOLERANCES UNLESS OTHERWISE NOTED		DESCRIPTION				
ALL DIMENSIONS WITHOUT TOLERANCES ARE FOR REFERENCE ONLY.		STAR TALON ASSEMBLY				
PROPRIETARY ITEM	SIZE	SYSTEM	DWG NO.	J-MM-01-1		
EXCEPT FOR USES EXPRESSLY GRANTED IN WRITING, INFORMATION DISCLOSED HEREON IS CONFIDENTIAL AND ALL RIGHTS, PATENT AND OTHERWISE, ARE RESERVED BY SOUTHCO, INC.	A3	NX				
PER ASME Y14.5M-1994	DRAWN BY	DATE	SCALE	SHEET		
	DA	02JUN2004	1:2	2 OF 2		