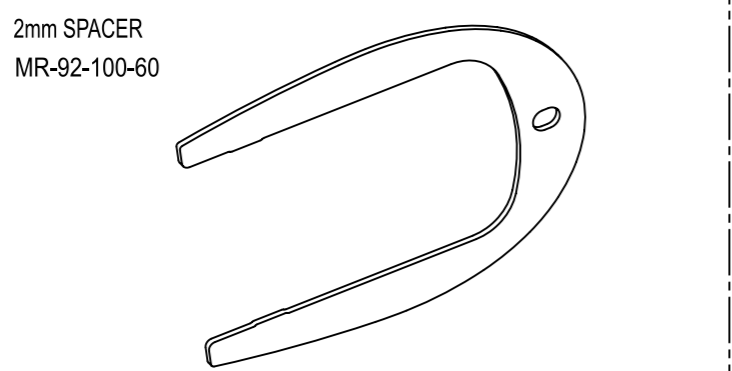
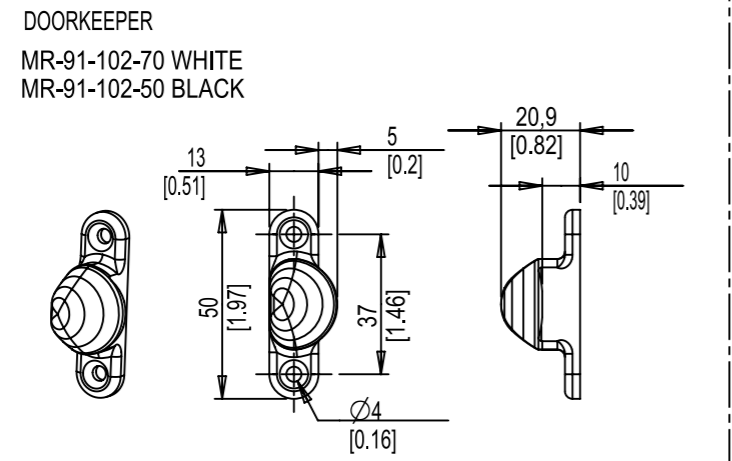
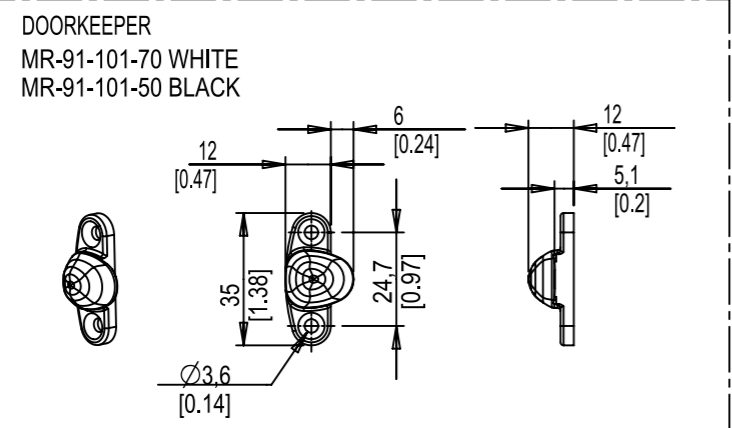
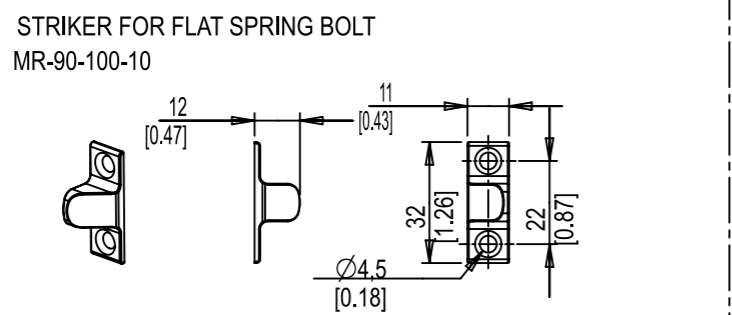
	REV	DATE	DRAWN/CHKD	DESCRIPTION	PROPRIETARY ITEM - EXCEPT FOR USES EXPRESSLY GRANTED IN WRITING INFORMATION DISCLOSED HEREON IS CONFIDENTIAL AND ALL RIGHTS PATENT AND OTHERWISE ARE RESERVED BY SOUTHCO, INC.	OMNI	DATE	DRAWN	CHKD	SCALE	DRAWING NUMBER
	A	15DEC2009	MF/HJ	RELEASED FOR PRODUCTION			15DEC2009	MF	HJ	-	J-MR-XX-1BC-24
B	17MAR2021	CMS/CTG	PRN: P2021-0519								

MATERIAL AND FINISH
 ESCUTCHEON; 316 STAINLESS STEEL, POLISHED
 SPRING BOLT; POM, BLACK
 HANDLE; POM, BLACK
 HOUSING; POM, BLACK
 PRIVACY KNOB; POM, BLACK
 BUMPER; SILICONE RUBBER
 SPRING; 316 STAINLESS STEEL
 KNURL; BRASS, NICKEL PLATED
 SCREW; 316 STAINLESS STEEL

A3 PAPER SIZE
 THIRD ANGLE PROJECTION

MILLIMETERS
 ALL DIMENSIONS WITHOUT TOLERANCES ARE FOR REFERENCE ONLY.

ACCESSORIES



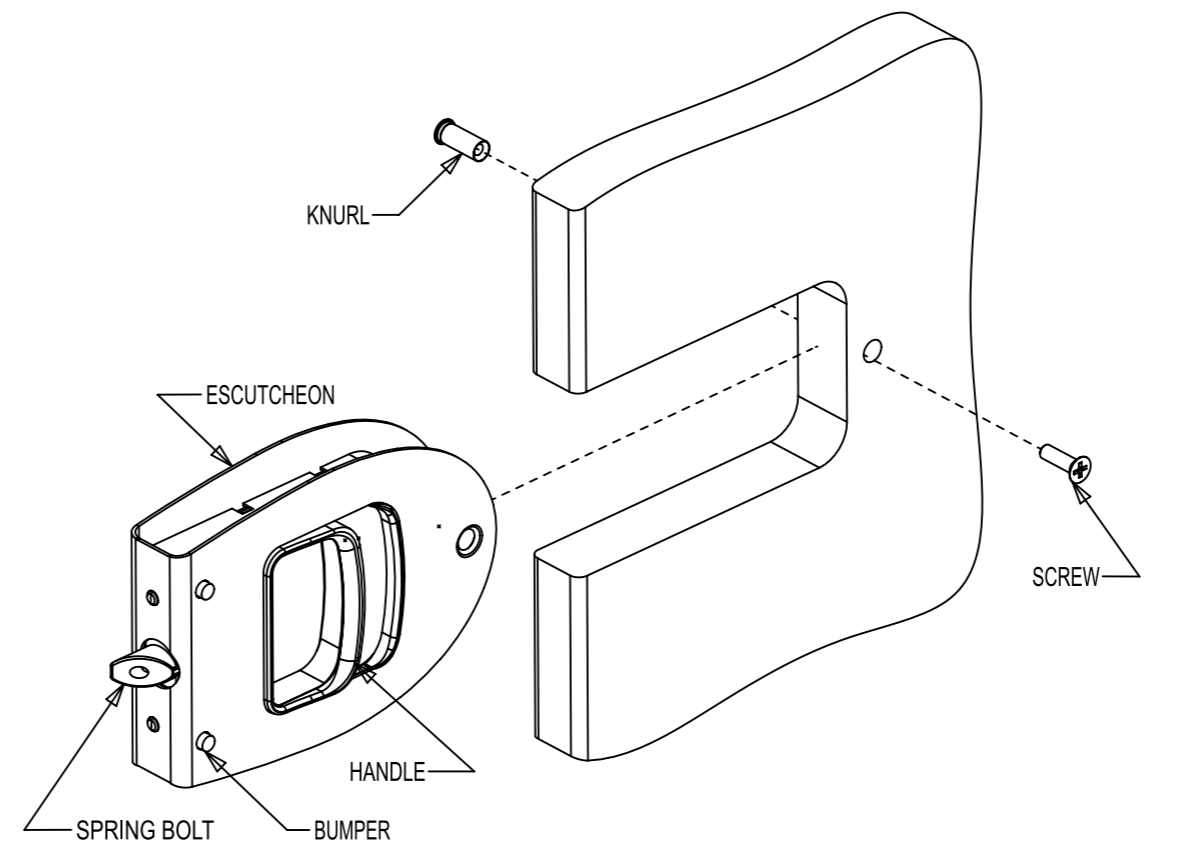
- NOTES
1. DOOR THICKNESS "C": 12.7, 16 AND 19mm [1/2", 5/8" AND 3/4"]
 2. FOR PANEL PREPARATION INSTRUCTIONS. SEE DRAWING NUMBER J-MR-XX-1BC-24-2
 3. STRIKER FOR ADJUSTABLE SPRING BOLT, SEE DRAWING: H-MC-90-2XX-YY
 4. SEE SOUTHCO MARINE HANDBOOK FOR MORE DETAILED INSTALLATION INSTRUCTIONS

PART NUMBER SYSTEM
MR-XX-1BC-24

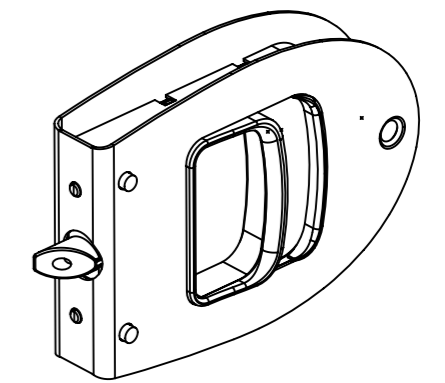
SPRING BOLT OPTION (XX)
 01 - ADJUSTABLE SPRING BOLT
 02 - FLAT SPRING BOLT
 03 - 2-STEP SPRING BOLT

PRIVACY OPTION (B)
 0 - NO PRIVACY
 2 - PRIVACY

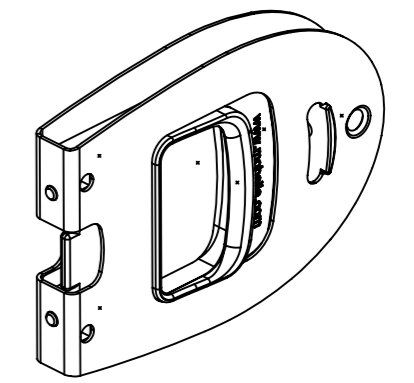
DOOR THICKNESS (C)
 0 - 12.7mm [1/2"]
 1 - 16mm [5/8"]
 2 - 19mm [3/4"]



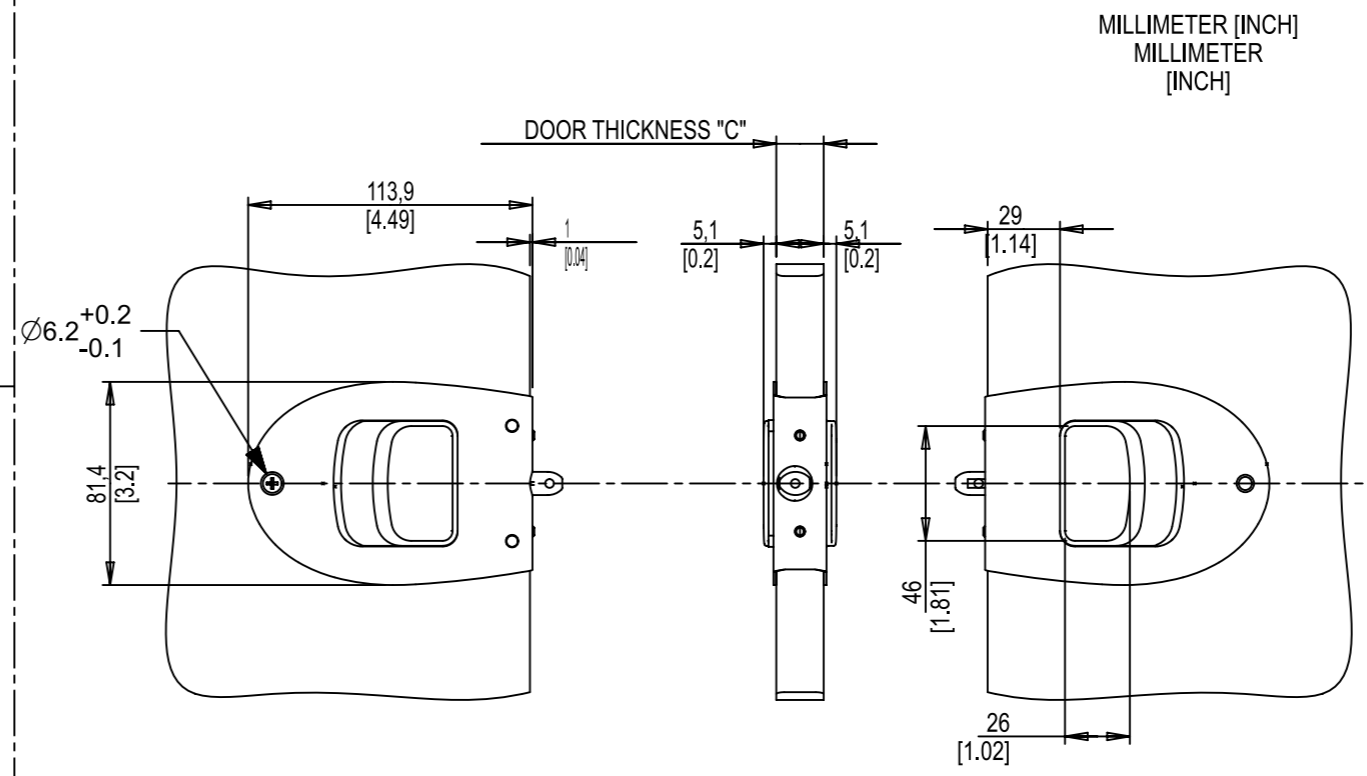
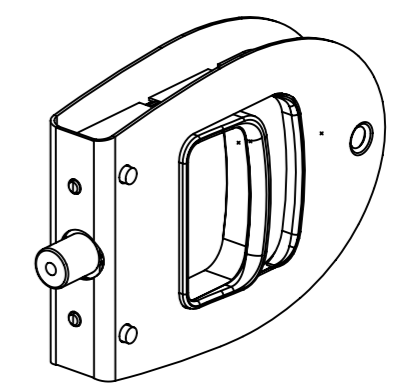
ADJUSTABLE SPRING BOLT VERSION
 MR-01-ABC-24



FLAT SPRING BOLT VERSION
 MR-02-ABC-24



2-STEP SPRING BOLT VERSION
 MR-03-ABC-24



MILLIMETER [INCH]
 MILLIMETER [INCH]



PROPRIETARY ITEM - EXCEPT FOR USES EXPRESSLY GRANTED IN WRITING INFORMATION DISCLOSED HEREON IS CONFIDENTIAL AND ALL RIGHTS PATENT AND OTHERWISE ARE RESERVED BY SOUTHCO, INC.

OMNI - PANEL PREPARATION

DRAWING NUMBER
J-MR-XX-1BC-24 -2

REV	DATE	DRAWN/CHKD	DESCRIPTION	DATE	DRAWN	CHKD	SCALE
A	15DEC2009	MF/HJ	RELEASED FOR PRODUCTION	15DEC2009	MF	HJ	-
B	17MAR2021	CMS/CTG	PRN: P2021-0519				

MILLIMETERS

ALL DIMENSIONS WITHOUT TOLERANCES ARE FOR REFERENCE ONLY.



THIRD ANGLE PROJECTION
A3 PAPER SIZE

MILLIMETER [INCH]
MILLIMETER [INCH]

NOTES
PANEL PREPERATION FOR ASSEMBLIES MR-XX-1BC-24

