



PROPRIETARY ITEM - EXCEPT FOR USES EXPRESSLY GRANTED IN WRITING INFORMATION DISCLOSED HEREON IS CONFIDENTIAL AND ALL RIGHTS PATENT AND OTHERWISE ARE RESERVED BY SOUTHCO, INC.


# AMC LIGHTPIPE BRACKET FOR 2 LED

DATE	DRAWN	CHKD	SCALE	DRAWING NUMBER
17SEP2008	ACH	MJS	1:1	J-P7-11-81

REV	DATE	DRAWN/CHKD	DESCRIPTION	PART NUMBER	MODULE SIZE	DIM. A	DIM. B
A	17SEP2008	ACH/MJS	INITIAL DRAWING RELEASE	P7-11-811	COMPACT	12.50	13.88
				P7-11-812	MID SIZE	17.55	18.96
				P7-11-813	FULL SIZE	27.55	28.95

**MILLIMETERS**

ALL DIMENSIONS WITHOUT TOLERANCES ARE FOR REFERENCE ONLY.



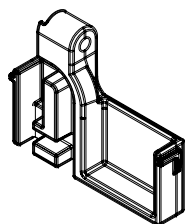
THIRD ANGLE PROJECTION

A4 PAPER SIZE

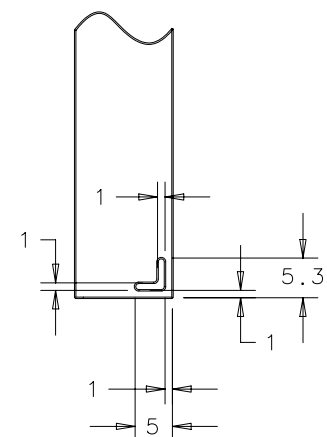
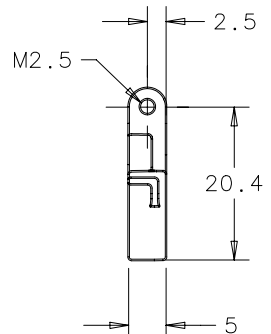
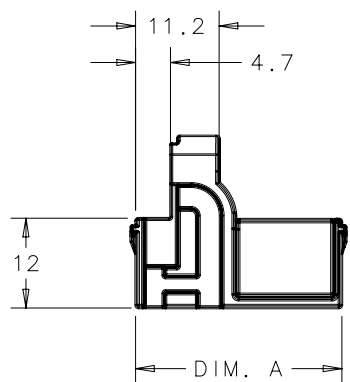
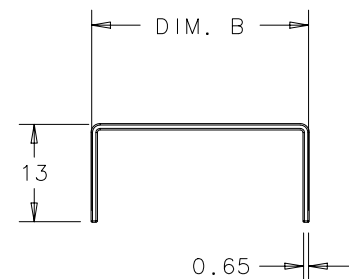
**SHEET 1 OF 2**

**NOTES:**

- A. MATERIAL AND FINISH:
  - HOUSING: DIE CAST ZINC, ZINC PLATE CHROMATE DIP
  - THIS ASSEMBLY IS RoHS COMPLIANT
- B. BRACKET MEETS SOUTHCO COSMETIC SPECIFICATION S-121-02 CLASS C (HOUSING)
- C. ALL PANEL PREPARATION TOLERANCES TO BE  $\pm 0.1$ .



**FACEPLATE PREPARATION**



**southco**

PROPRIETARY ITEM - EXCEPT FOR USES EXPRESSLY GRANTED IN WRITING INFORMATION DISCLOSED HEREON IS CONFIDENTIAL AND ALL RIGHTS PATENT AND OTHERWISE ARE RESERVED BY SOUTHCO, INC.



AMC LIGHTPIPE BRACKET FOR 2 LED

DATE	DRAWN	CHKD	SCALE	DRAWING NUMBER
17SEP2008	ACH	MJS	1:1	J-P7-11-81

REV	DATE	DRAWN/CHKD	DESCRIPTION	PART NUMBER	MODULE SIZE	DIM. A	DIM. B
A	17SEP2008	ACH/MJS	INITIAL DRAWING RELEASE	P7-11-811	COMPACT	12.50	13.88
				P7-11-812	MID SIZE	17.55	18.96
				P7-11-813	FULL SIZE	27.55	28.95

**MILLIMETERS**

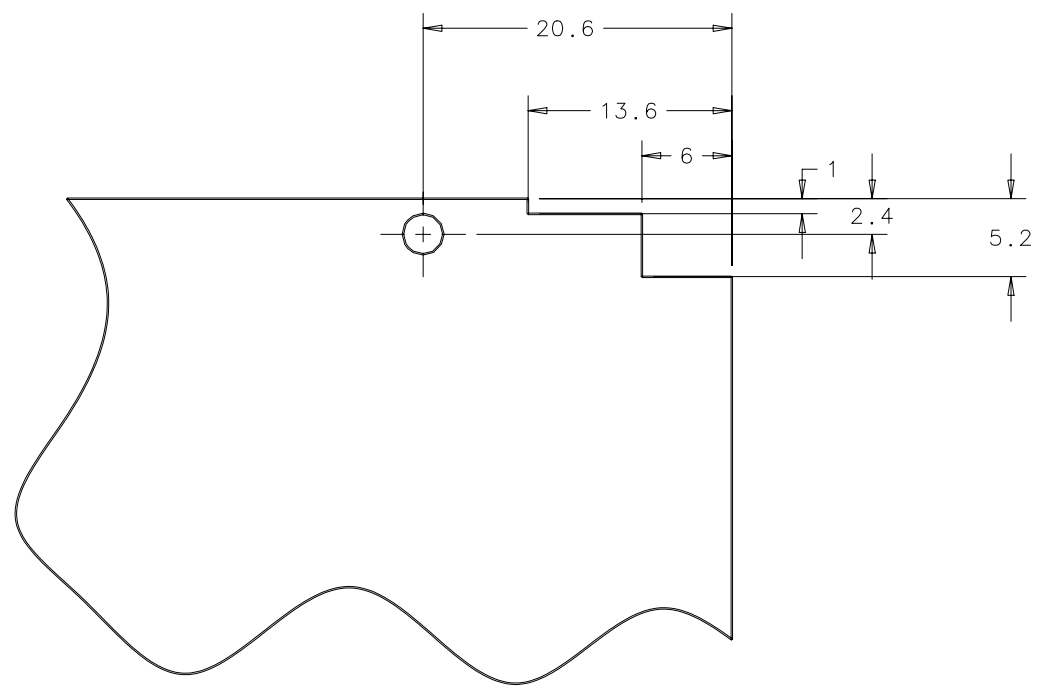
ALL DIMENSIONS WITHOUT TOLERANCES ARE FOR REFERENCE ONLY.



  
 THIRD ANGLE PROJECTION      A4 PAPER SIZE

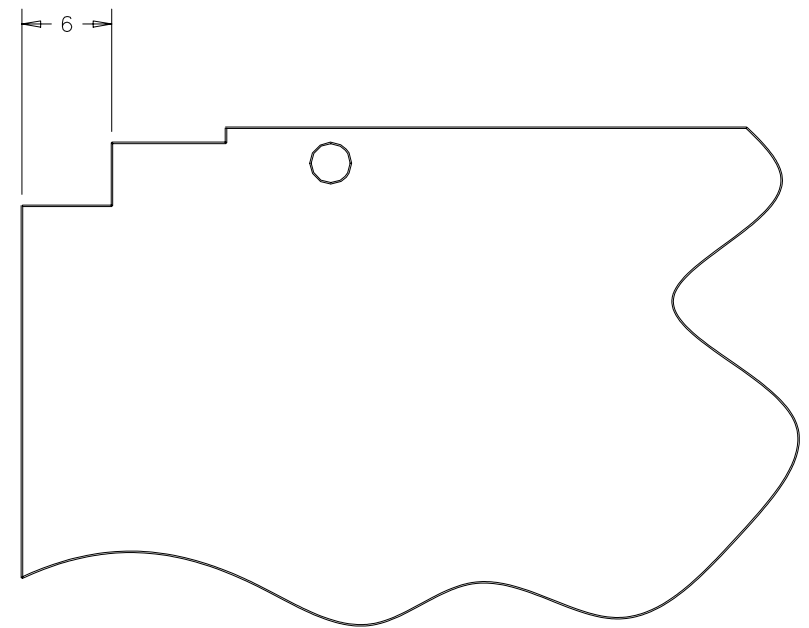
**SHEET 2 OF 2**

PRINTED CIRCUIT BOARD

ALL PANEL PREPARATION TOLERANCES TO BE ±0.1



COMPONENT SIDE 1  
SCALE 2:1



COMPONENT SIDE 2  
SCALE 2:1