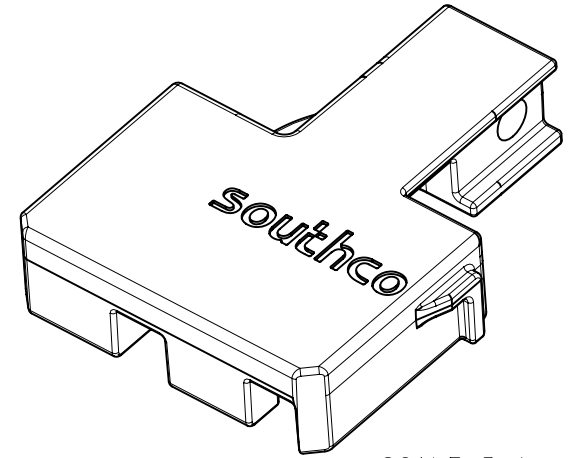
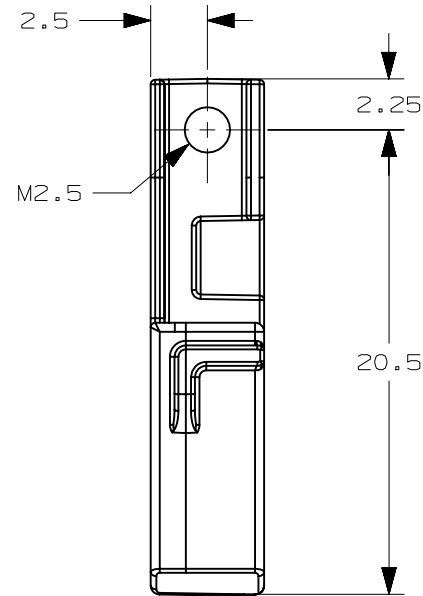
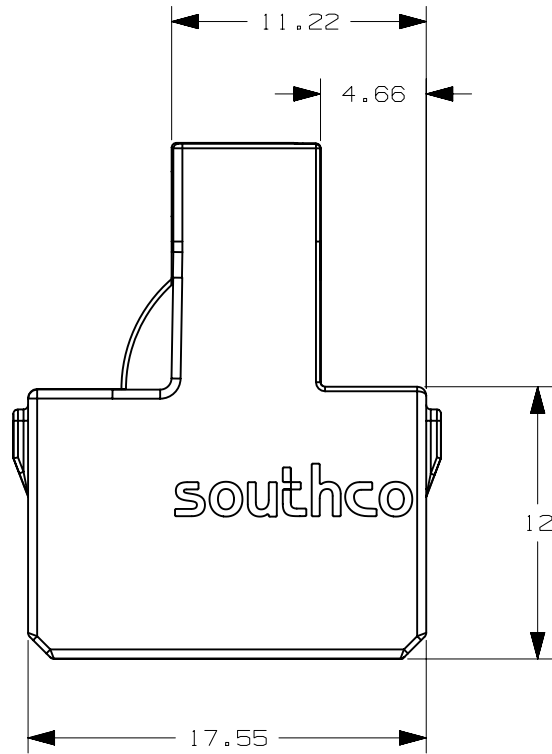
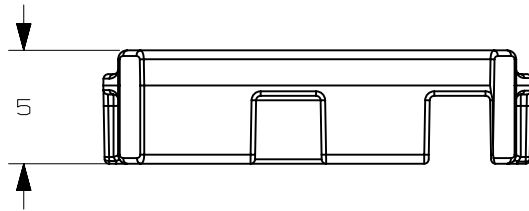


| REVISION HISTORY | | | |
|------------------|-----------|---------|-----------------|
| REV | DATE | BY | DESCRIPTION |
| B | 04DEC2012 | CMS/RES | PRN: P2012-1699 |



SCALE 3:1

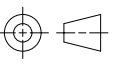



NOTES:

A. COSMETIC SPECIFICATION:
ALL DIE CASTING SURFACES TO CONFORM
TO CLASS "C" DESIGNATION PER
SOUTHCO COSMETIC SPECIFICATION:
S-121

B. THIS PART IS RoHS COMPLIANT.

C. SEE SHEET 2 FOR PANEL PREPARATION
AND INSTALLATION

| | | | | | |
|---|--|--|-------------------|--|-----------------|
| P7-11-812 | | DIE CAST ZINC | | CLEAR TRIVALENT CHROMATE | |
| PART NUMBER | | MATERIAL | | FINISH | |
| | | THIRD ANGLE PROJECTION  | |  CONNECT • CREATE • INNOVATE | |
| | | MILLIMETERS [IN] | | | |
| | | TOLERANCES UNLESS OTHERWISE NOTED | | DESCRIPTION | |
| | | ALL DIMENSIONS WITHOUT TOLERANCES ARE FOR REFERENCE ONLY | | BRACKET | |
| PROPRIETARY ITEM <small>EXCEPT FOR USES EXPRESSLY GRANTED IN WRITING, INFORMATION DISCLOSED HEREON IS CONFIDENTIAL AND ALL RIGHTS, PATENT AND OTHERWISE, ARE RESERVED BY SOUTHCO, INC.</small> | | SIZE A4 | SYSTEM NX | DWG NO. J-P7-11-812 | |
| PER ASME Y14.5M-1994 | | DRAWN BY RES | DATE 13SEP2012 | SCALE 3:1 | SHEET 1 OF 2 |