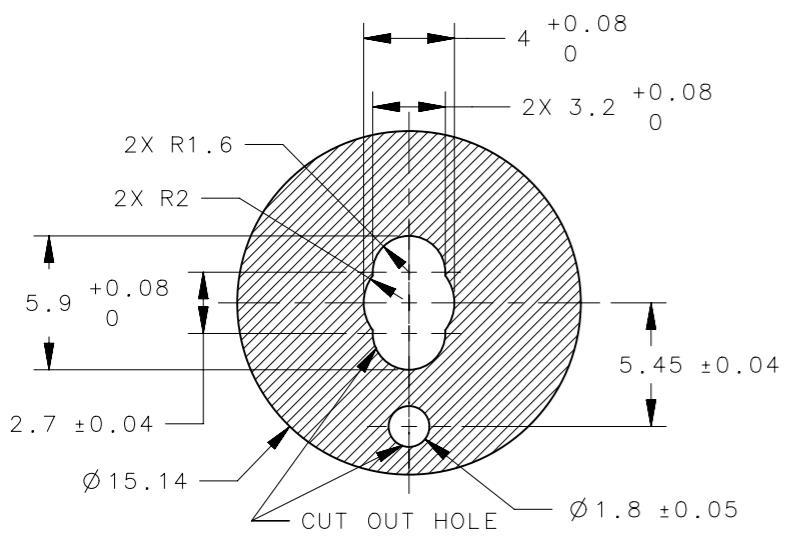
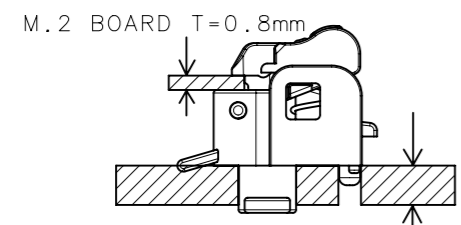


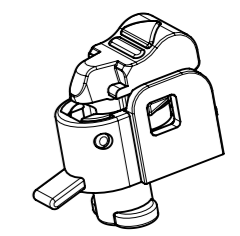
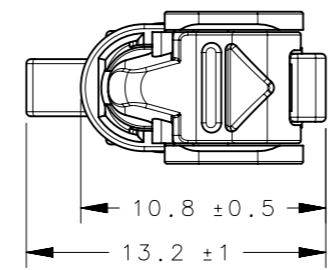
REVISION HISTORY			
REV	DATE	BY	DESCRIPTION
C	24DEC2021	SSG/CBI	PRN: P2021-2498



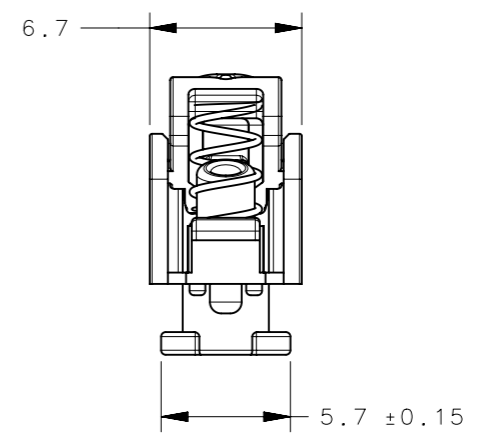
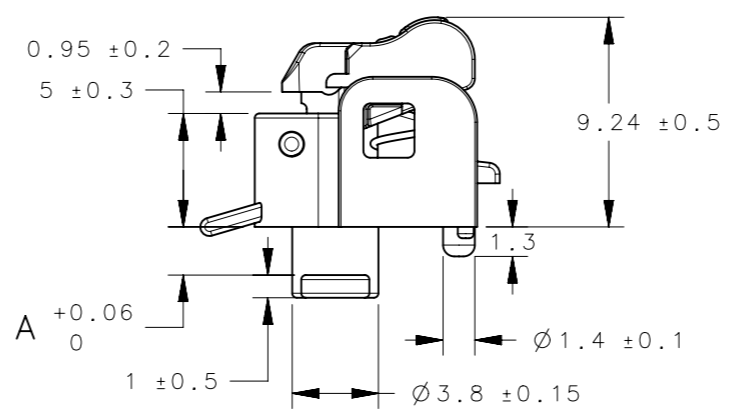
SECTION LINE SHOWS  
KEEP OUT AREA  
PANEL PREPARATION



PANEL THICKNESS =  $P \pm 10\%$ mm



SCALE 2:1



NOTES:

A. COMPLETE PART NUMBER AS BELOW:  
P7-M2-50-CCC-EEEEFF

HOUSING COLOR(SEE TABLE)

COLOR	FF
BLACK	OMIT THIS SUFFIX
WHITE	01
GRAY	02

BUTTON COLOR

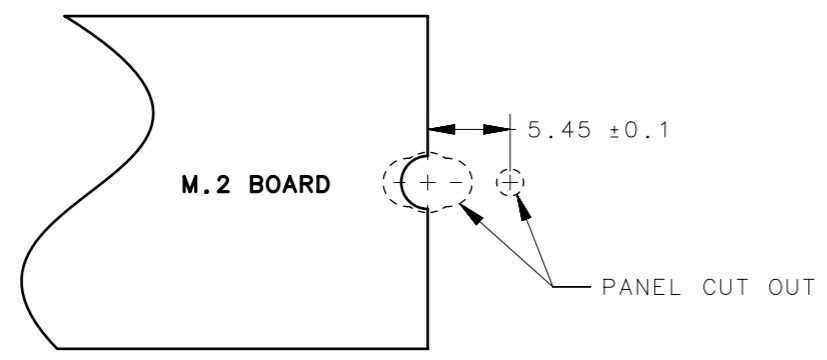
PANEL THICKNESS OPTION  
193 FOR 1.93mm PANEL  
236 FOR 2.36mm PANEL

B. ALL SURFACES CONFORM TO SOUTHCO COSMETIC SPECIFICATION S-121-04, CLASS "C".

C. BULK PACKED.

D. MATERIAL AND FINISH:

- HOUSING : PLASTIC, SEE TABLE FOR COLOR OPTIONS
- BUTTON : PLASTIC, SEE J-47-0-3 FOR COLOR OPTION
- SPRING : STAINLESS STEEL, PASSIVATED



M.2 BOARD TO PANEL  
CUT OUT LAYOUT PLACEMENT

P7-M2-50-193-EEEEFF	ASSEMBLY	2.12	1.93			
P7-M2-50-236-EEEEFF	ASSEMBLY	2.6	2.36			
PART NUMBER	TYPE OF COMPONENT	DIEMNSION "A"	PANEL THICKNESS "P"			
THIRD ANGLE PROJECTION						
MILLIMETERS [IN]						
TOLERANCES UNLESS OTHERWISE NOTED		DESCRIPTION				
UP TO 0.5 ±0.1		M.2 LATCH				
OVER 0.5 UP TO 6 ±0.2						
OVER 6 UP TO 30 ±0.4						
OVER 30 ±0.6						
ANGLES ±5°		SIZE	SYSTEM	DWG NO.		
PROPRIETARY ITEM		A3	NX	J-P7-M2-50		
EXCEPT FOR USES EXPRESSLY GRANTED IN WRITING, INFORMATION DISCLOSED HEREON IS CONFIDENTIAL AND ALL RIGHTS, PATENT AND OTHERWISE, ARE RESERVED BY SOUTHCO, INC.		PER ASME Y14.5M-1994	DRAWN BY	DATE	SCALE	SHEET
			MBT/DMS	23JAN2020	3:1	1 OF 1