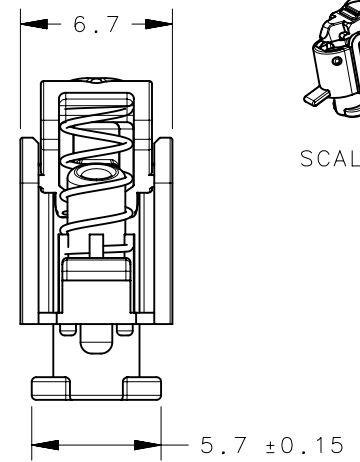


REVISION HISTORY			
REV	DATE	BY	DESCRIPTION
F	05AUG2022	PSP/DMS	PRN: P2022-1403

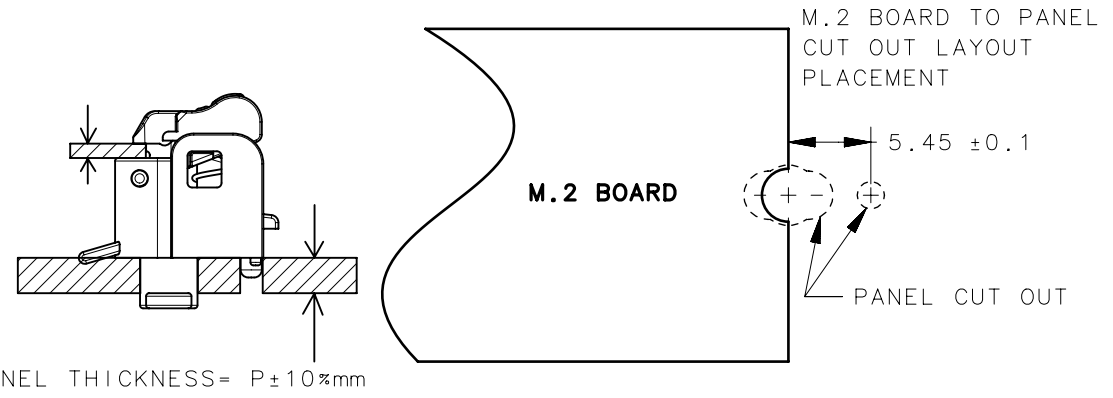


M.2 BOARD T=0.8mm

NOTES:
 A. COMPLETE PART NUMBER AS BELOW:
 P7-M2-66-CCC-EEEEFF ← HOUSING COLOR (SEE TABLE)

COLOR	FF
BLACK	OMIT THIS SUFFIX
WHITE	01
GRAY	02

← BUTTON COLOR
 ← PANEL THICKNESS OPTION
 183 FOR 1.83mm PANEL
 213 FOR 2.13mm PANEL
 236 FOR 2.36mm PANEL



- B. ALL SURFACES CONFORM TO SOUTHCO COSMETIC SPECIFICATION S-121-04, CLASS "C".
- C. BULK PACKED.
- D. MATERIAL AND FINISH:
 - HOUSING : PLASTIC, SEE TABLE FOR COLOR OPTIONS
 - BUTTON : PLASTIC SEE J-47-0-3 FOR COLOR OPTION
 - SPRING : STAINLESS STEEL, PASSIVATED

P7-M2-66-236-EEEEFF	ASSEMBLY	2.6	2.36
P7-M2-66-183-EEEEFF	ASSEMBLY	2.01	1.83
P7-M2-66-213-EEEEFF	ASSEMBLY	2.34	2.13
PART NUMBER	TYPE OF COMPONENT	DIMENSION "A"	PANEL THICKNESS "P"

THIRD ANGLE PROJECTION		southco [®] CONNECT • CREATE • INNOVATE	
MILLIMETERS [IN]			
TOLERANCES UNLESS OTHERWISE NOTED		DESCRIPTION M.2 LATCH	
ALL DIMENSIONS WITHOUT TOLERANCES ARE FOR REFERENCE ONLY.		SIZE A4	SYSTEM NX
PER ASME Y14.5M-1994		DWG NO. J-P7-M2-66	DATE 24APR2020
EXCEPT FOR USES EXPRESSLY GRANTED IN WRITING, INFORMATION DISCLOSED HEREON IS CONFIDENTIAL AND ALL RIGHTS, PATENT AND OTHERWISE, ARE RESERVED BY SOUTHCO, INC.		DRAWN BY DKP/DMS	SHEET 1 OF 1