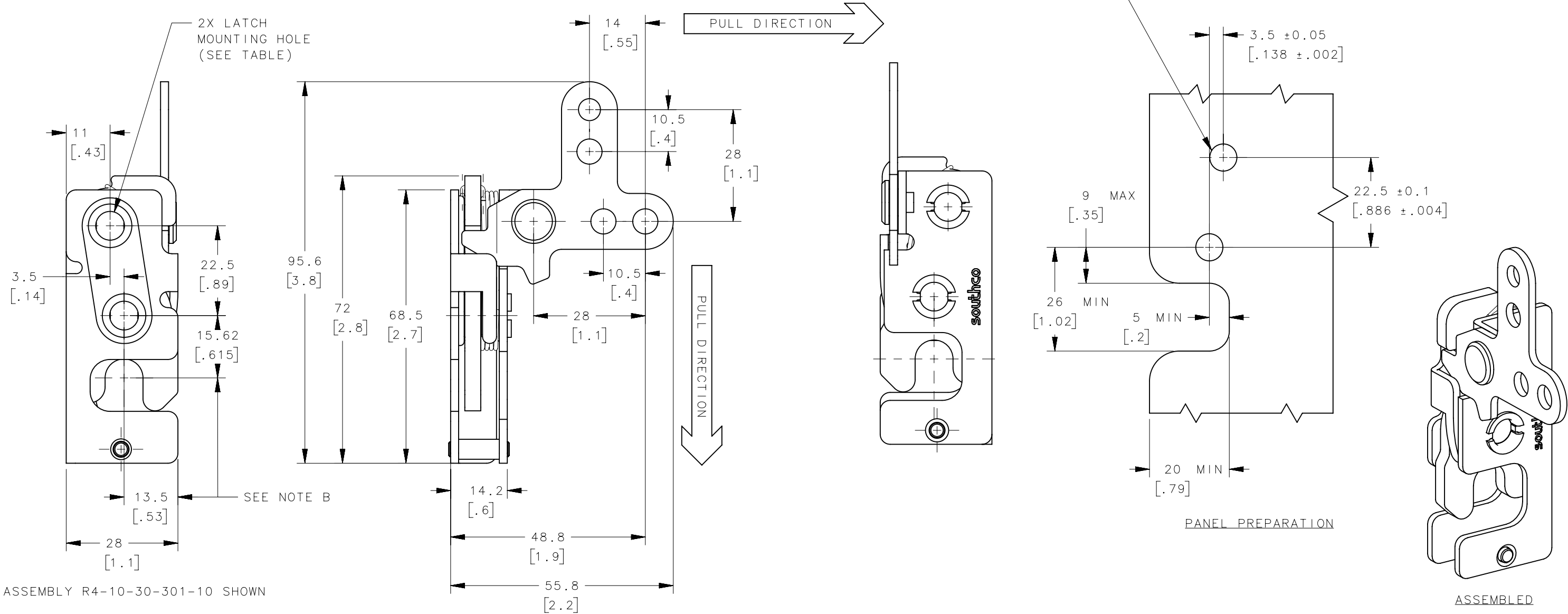


REVISION HISTORY			
REV	DATE	BY	DESCRIPTION
B	23JAN2014	ACH/ASM	PRN: P2014-0102



ASSEMBLY R4-10-30-301-10 SHOWN

NOTES:

A. MATERIAL AND FINISH:

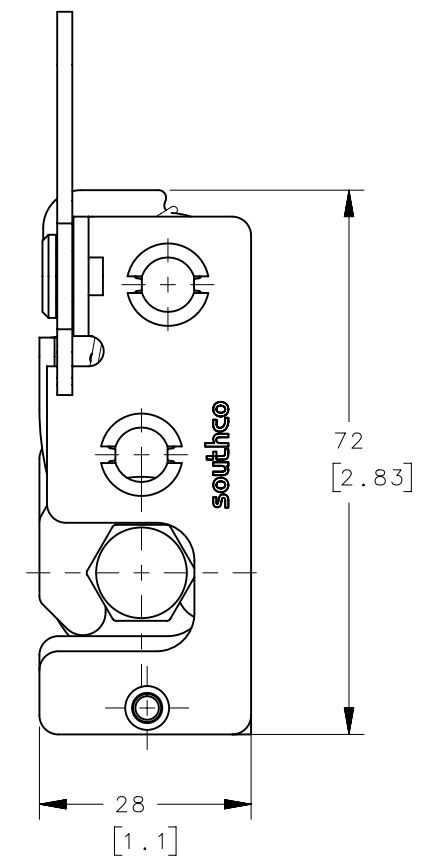
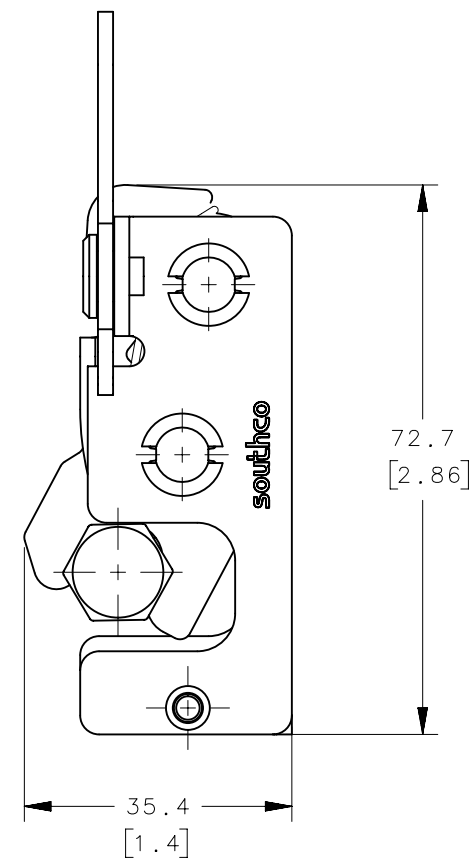
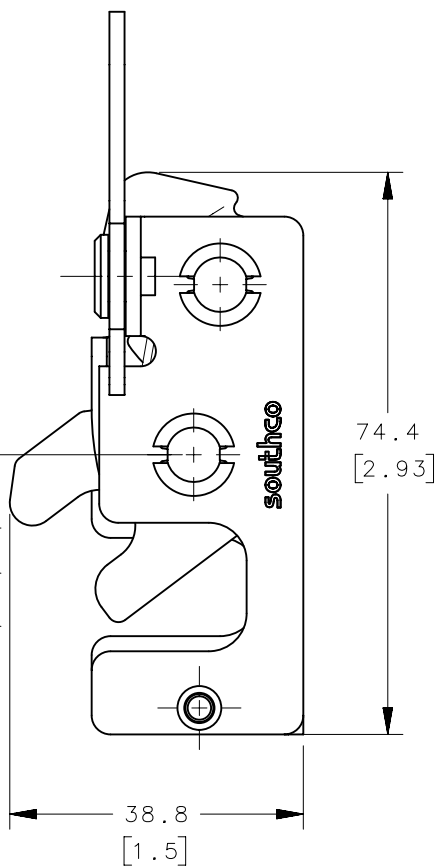
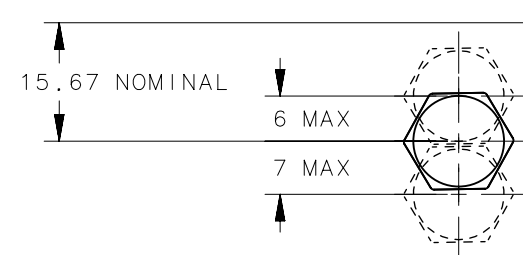
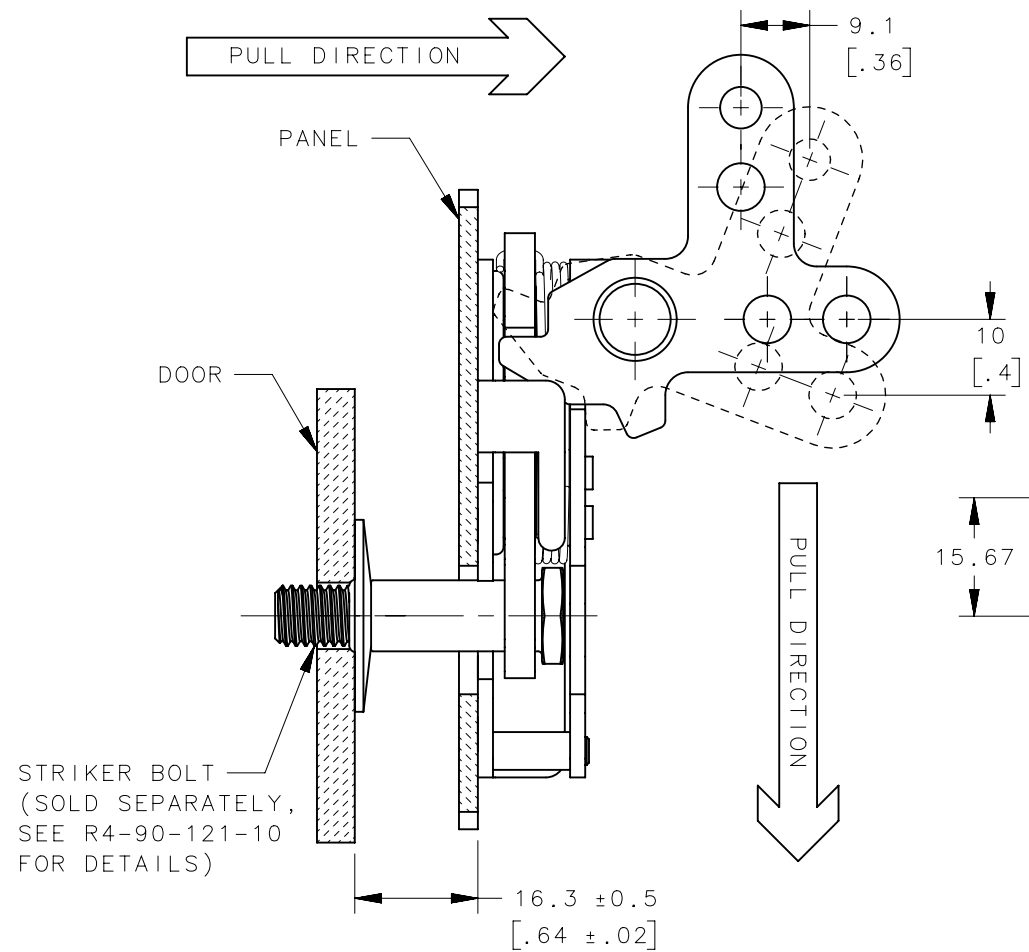
- HOUSING, LEVER AND INTERNAL COMPONENTS:  
MATERIAL - STEEL  
-10 ZINC PLATED, BRIGHT CHROMATE  
-77 ZINC NICKEL, BRIGHT CHROMATE

- PAWL AND TRIGGER:  
MATERIAL - HARDENED STEEL  
-10 ZINC PLATED, BRIGHT CHROMATE  
-77 ZINC NICKEL, BRIGHT CHROMATE  
ZINC PLATE CHROMATE.
- SPRING: STAINLESS STEEL, PASSIVATED

B. THESE DIMENSIONS REQUIRED FOR MOUNTING STRIKER BOLT.

R4-10-30-301-77	Ø 7.2mm THRU	SEE NOTE A	SEE NOTE A	
R4-10-31-301-77	1/4-20 THREAD	SEE NOTE A	SEE NOTE A	
R4-10-32-301-77	M6 THREAD	SEE NOTE A	SEE NOTE A	
R4-10-30-301-10	Ø 7.2mm THRU	SEE NOTE A	SEE NOTE A	
R4-10-31-301-10	1/4-20 THREAD	SEE NOTE A	SEE NOTE A	
R4-10-32-301-10	M6 THREAD	SEE NOTE A	SEE NOTE A	
ASSEMBLY PART NUMBER	LATCH MOUNTING HOLE	MATERIAL	FINISH	GENERAL NOTES
	THIRD ANGLE PROJECTION			
	MILLIMETERS [IN]			
SURFACE AREA	TOLERANCES UNLESS OTHERWISE NOTED	<b>southco</b> CONNECT • CREATE • INNOVATE DESCRIPTION R4 MINI TWO STAGE ROTARY LATCH TWO-POINT - RIGHT HAND		
VOLUME	ALL DIMENSIONS WITHOUT TOLERANCES ARE FOR REFERENCE ONLY.			
PROPRIETARY ITEM	PER ASME Y14.5M-1994	SIZE B	SYSTEM NX	DWG NO. J-R4-10-30-301
EXCEPT FOR USES EXPRESSLY GRANTED IN WRITING, INFORMATION DISCLOSED HEREON IS CONFIDENTIAL AND ALL RIGHTS, PATENT AND OTHERWISE, ARE RESERVED BY SOUTHCO, INC.		DRAWN BY DJK	DATE 26APR2012	SCALE 1:1
				SHEET 1 OF 3

REVISION HISTORY			
REV	DATE	BY	DESCRIPTION
B	23JAN2014	ACH/ASM	PRN: P2014-0102



MISALIGNMENT VIEW  
(SEE NOTE B)

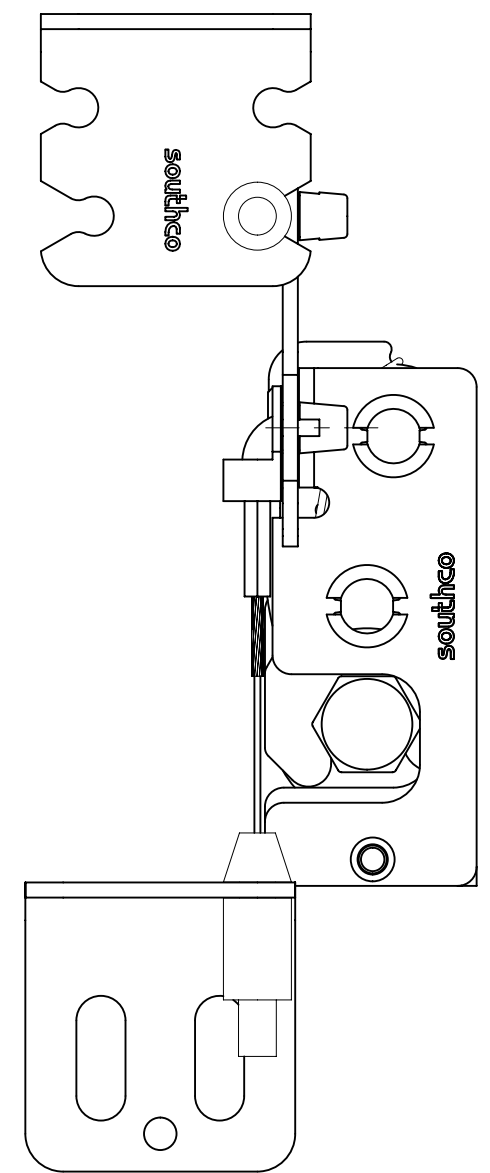
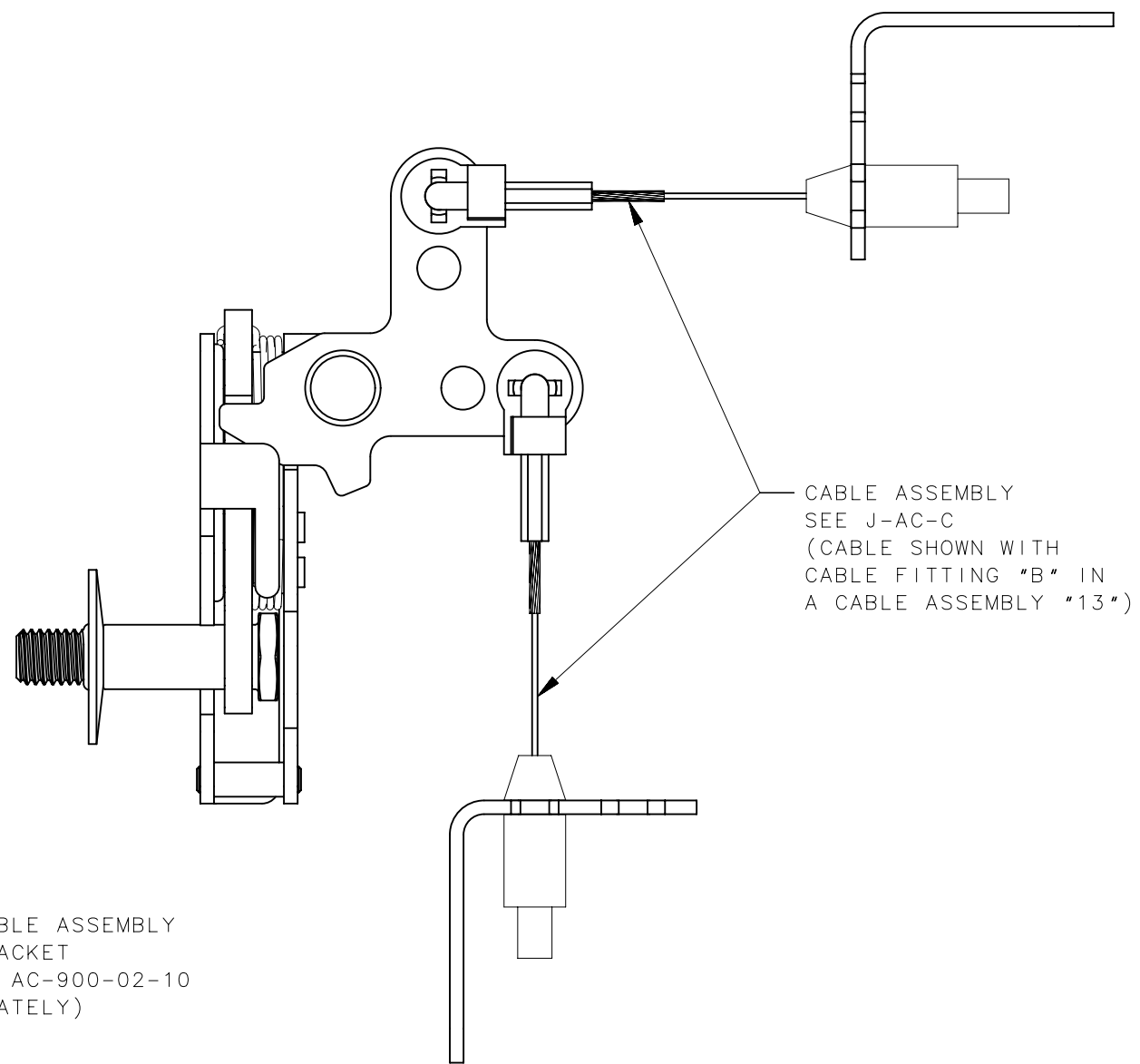
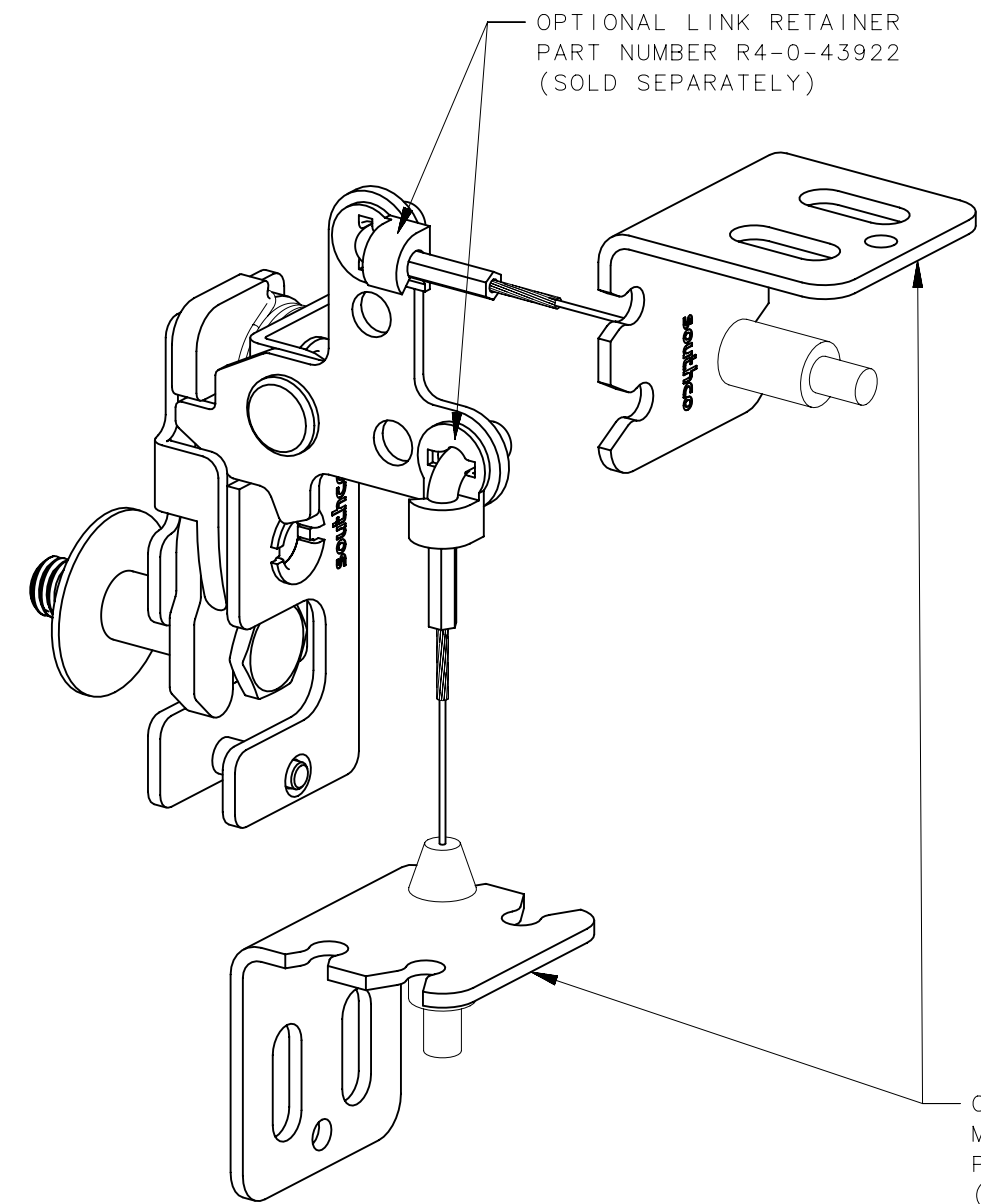
ASSEMBLY R4-10-30-301-10 SHOWN

- NOTES:
- A. THE TOLERANCE BETWEEN THE LATCH AND STRIKER BOLT ASSUMES A NON-RIGID DOOR INSTALLATION THAT WILL ALLOW THE DOOR TO MOVE INTO THE NOMINAL POSITION DURING LATCHING. RIGID DOORS MUST HAVE THE STRIKER INSTALLED PER THE PANEL PREPARATION RECOMMENDATION.
  - B. THE MISALIGNMENT VIEW ASSUMES THE LATCH IS CONNECTED TO A PERFECTLY RIGID DOOR AND HINGE; THEREFORE, THERE IS NO DOOR AND/OR HINGE SLACK ASSOCIATED WITH THESE DIMENSIONS. THE MISALIGNMENT VIEW DOES NOT TAKE FLEXING OF THE STRIKER BOLT INTO ACCOUNT.

R4-10-30-301-77	∅ 7.2mm THRU	∅ 7.6 [.299]	
R4-10-31-301-77	1/4-20 THREAD	∅ 6.8 [.268]	
R4-10-32-301-77	M6 THREAD	∅ 6.4 [.252]	
R4-10-30-301-10	∅ 7.2mm THRU	∅ 7.6 [.299]	
R4-10-31-301-10	1/4-20 THREAD	∅ 6.8 [.268]	
R4-10-32-301-10	M6 THREAD	∅ 6.4 [.252]	
ASSEMBLY PART NUMBER	LATCH MOUNTING HOLE	MINIMUM RECOMMENDED PANEL HOLE	GENERAL NOTES

THIRD ANGLE PROJECTION				<b>southco</b> <sup>®</sup> CONNECT • CREATE • INNOVATE	
MILLIMETERS [IN]					
SURFACE AREA		TOLERANCES UNLESS OTHERWISE NOTED ALL DIMENSIONS WITHOUT TOLERANCES ARE FOR REFERENCE ONLY.		DESCRIPTION	
VOLUME				R4 MINI TWO STAGE ROTARY LATCH TWO-POINT - RIGHT HAND	
PROPRIETARY ITEM		SIZE	SYSTEM	DWG NO.	
EXCEPT FOR USES EXPRESSLY GRANTED IN WRITING, INFORMATION DISCLOSED HEREON IS CONFIDENTIAL AND ALL RIGHTS, PATENT AND OTHERWISE, ARE RESERVED BY SOUTHCO, INC.		B	NX	J-R4-10-30-301	
PER ASME Y14.5M-1994		DRAWN BY	DATE	SCALE	SHEET
		DJK	26APR2012	1:1	2 OF 3

REVISION HISTORY			
REV	DATE	BY	DESCRIPTION
B	23JAN2014	ACH/ASM	PRN: P2014-0102



ASSEMBLY R4-10-30-301-10 SHOWN

R4-10-30-301-77	Ø 7.2mm THRU	Ø 7.6 [ .299 ]	
R4-10-31-301-77	1/4-20 THREAD	Ø 6.8 [ .268 ]	
R4-10-32-301-77	M6 THREAD	Ø 6.4 [ .252 ]	
R4-10-30-301-10	Ø 7.2mm THRU	Ø 7.6 [ .299 ]	
R4-10-31-301-10	1/4-20 THREAD	Ø 6.8 [ .268 ]	
R4-10-32-301-10	M6 THREAD	Ø 6.4 [ .252 ]	
ASSEMBLY PART NUMBER	LATCH MOUNTING HOLE	MINIMUM RECOMMENDED PANEL HOLE	GENERAL NOTES

THIRD ANGLE PROJECTION				<b>southco</b> <sup>®</sup> CONNECT • CREATE • INNOVATE		
MILLIMETERS [IN]						
SURFACE AREA	TOLERANCES UNLESS OTHERWISE NOTED ALL DIMENSIONS WITHOUT TOLERANCES ARE FOR REFERENCE ONLY.			DESCRIPTION <b>R4 MINI TWO STAGE ROTARY LATCH TWO-POINT - RIGHT HAND</b>		
VOLUME						
PROPRIETARY ITEM	PER ASME Y14.5M-1994	SIZE B	SYSTEM NX	DATE 26APR2012	SCALE 1:1	DWG NO. J-R4-10-30-301
EXCEPT FOR USES EXPRESSLY GRANTED IN WRITING, INFORMATION DISCLOSED HEREON IS CONFIDENTIAL AND ALL RIGHTS, PATENT AND OTHERWISE, ARE RESERVED BY SOUTHCO, INC.		DRAWN BY DJK			SHEET 3 OF 3	