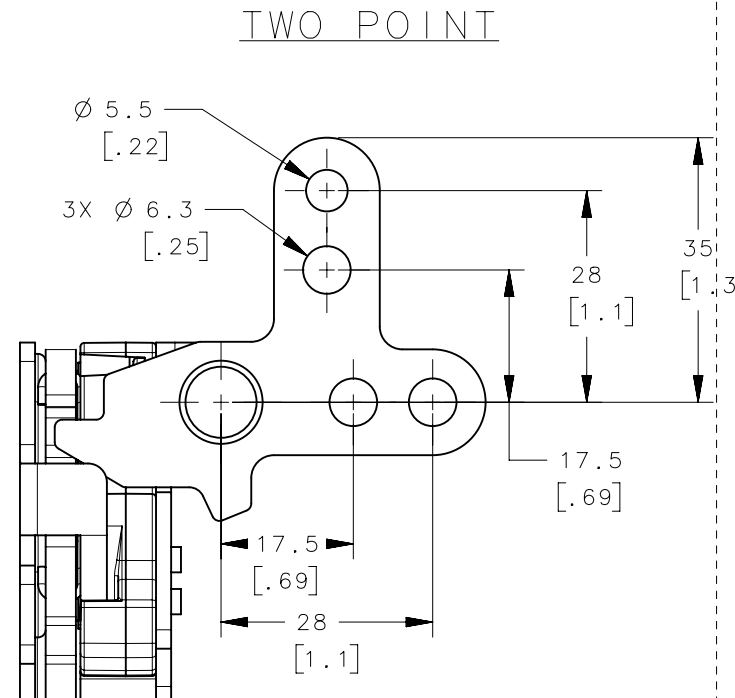
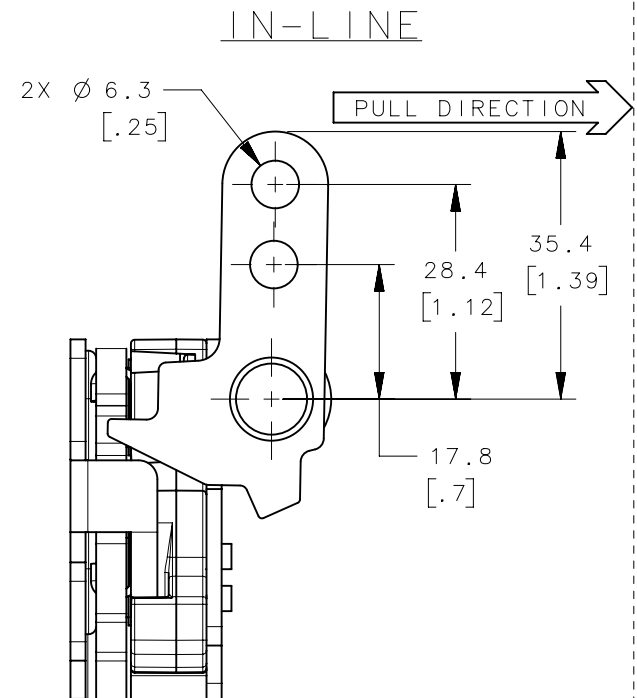
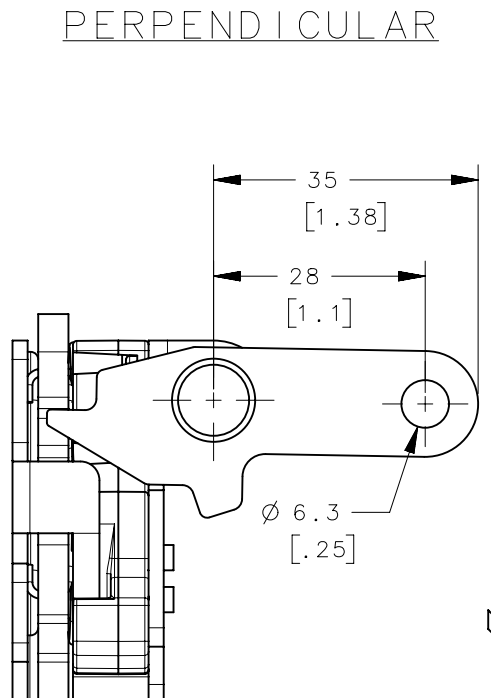
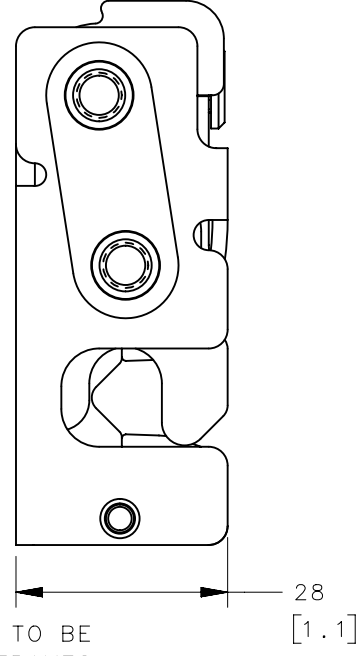
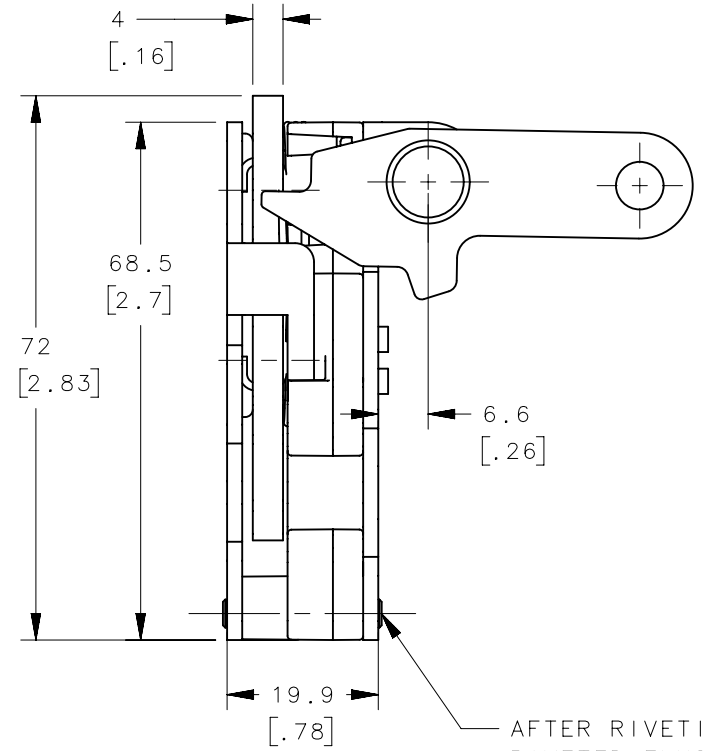
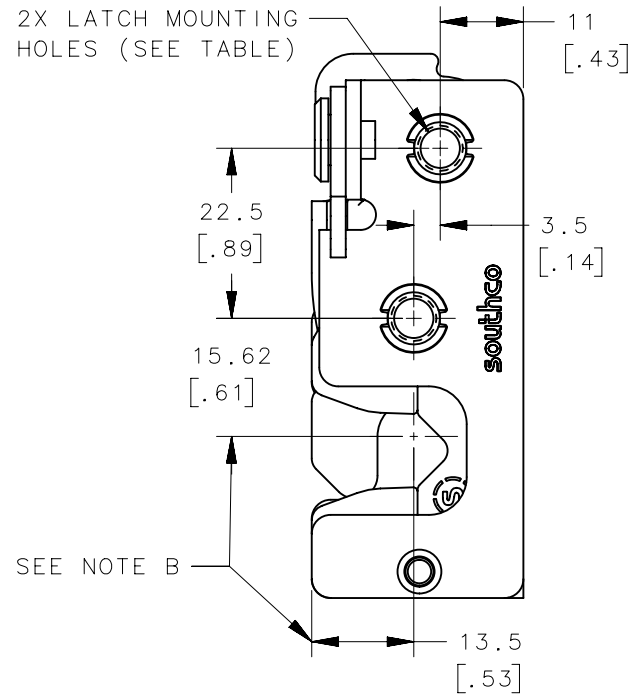
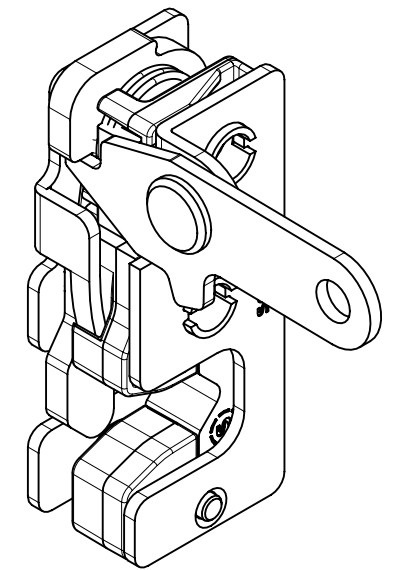
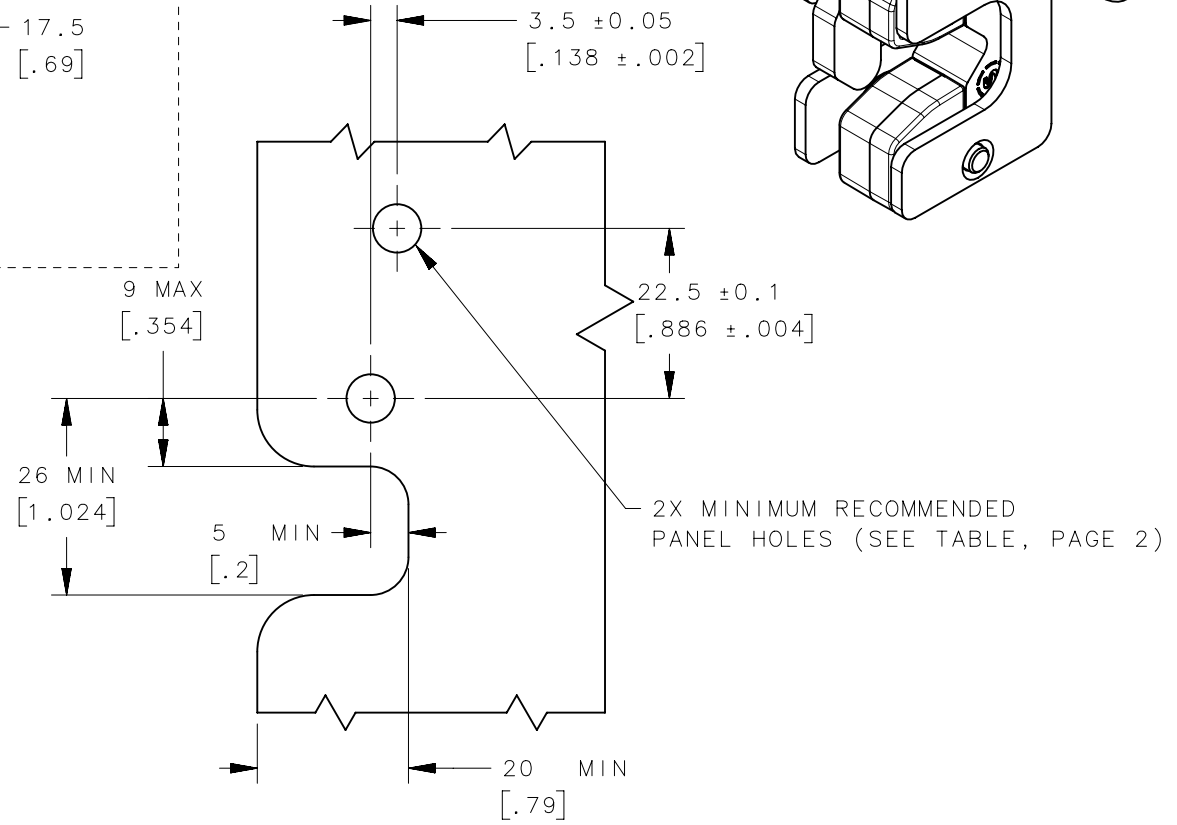


REVISION HISTORY			
REV	DATE	BY	DESCRIPTION
B	02MAR2018	DKM/DMS	PRN: P2018-0542



PANEL PREPARATION



AFTER RIVETING, PIN TO BE RIVETED FLUSH WITH FRAMES

- NOTES:
- A. MATERIAL AND FINISH:
 - HOUSING, LEVER, RIVET AND INTERNAL COMPONENTS: STEEL, ZINC PLATED, BRIGHT CHROMATE
 - PAWL AND TRIGGER: HARDENED STEEL, ZINC PLATED, BRIGHT CHROMATE
 - SPRING: STAINLESS STEEL, PASSIVATED
 - B. THESE DIMENSIONS REQUIRED FOR MOUNTING STRIKER BOLT.

ASSEMBLY PART No.
R4-10-□-□05-10

STAGE & ACTUATION

- 1 - SINGLE STAGE, RIGHT HAND
- 3 - TWO-STAGE, RIGHT HAND

MOUNTING STYLE

- 0 - Ø7.2 [0.283] THRU
- 1 - 1/4-20 THREAD
- 2 - M6x1 THREAD

LEVER TYPE

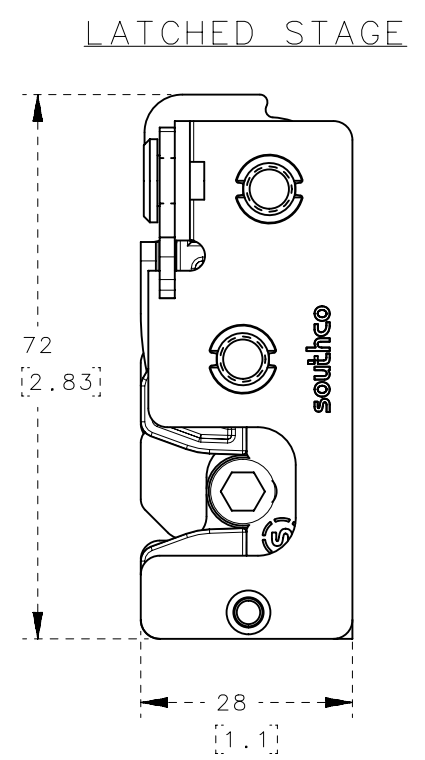
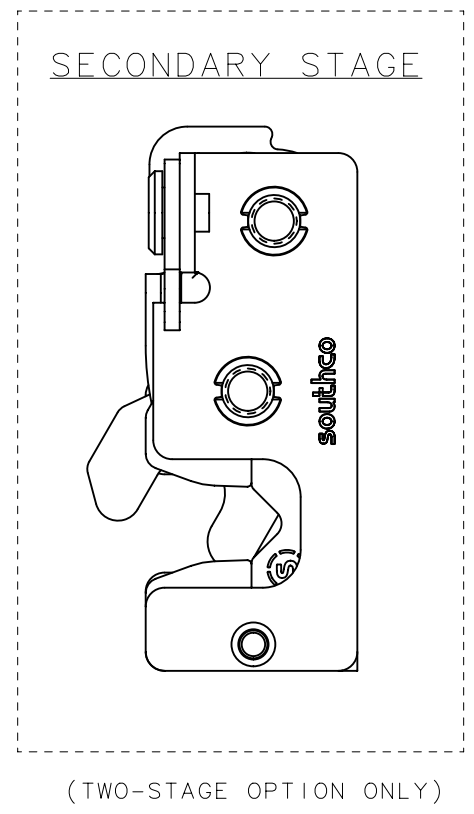
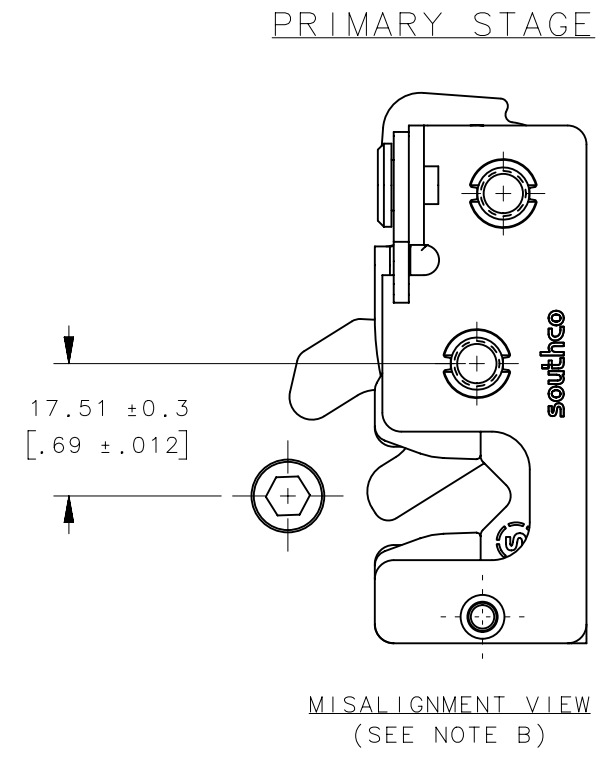
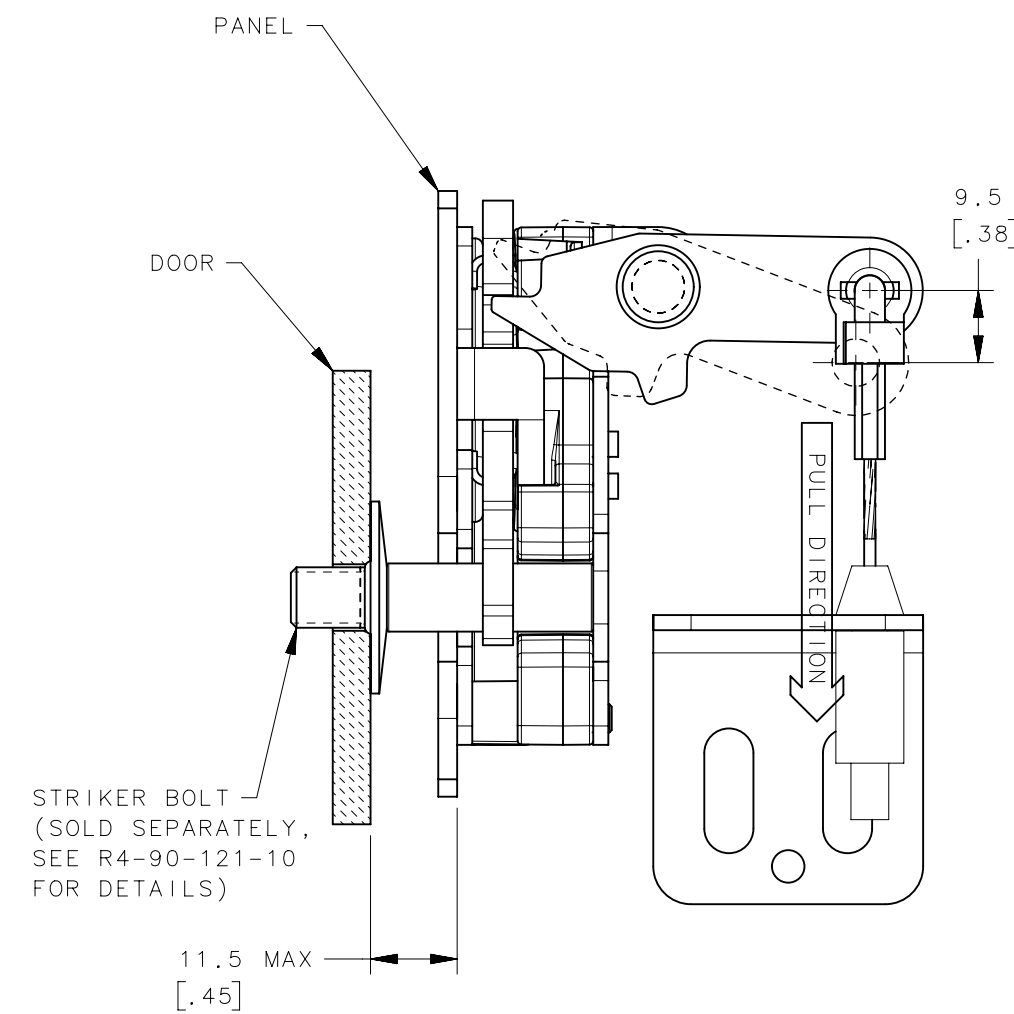
- 1 - PERPENDICULAR
- 2 - IN-LINE
- 3 - TWO POINT

THIRD ANGLE PROJECTION	
MILLIMETERS [IN]	
TOLERANCES UNLESS OTHERWISE NOTED	
ALL DIMENSIONS WITHOUT TOLERANCES ARE FOR REFERENCE ONLY.	
PER ASME Y14.5M-1994	

southco CONNECT • CREATE • INNOVATE			
DESCRIPTION R4 MINI ROTARY LATCH RIGHT HAND - BSR INSERT			
SIZE B	SYSTEM NX	DWG NO. J-R4-10-5AR	
DRAWN BY CMG/DGJ	DATE 06MAY2014	SCALE 1:1	SHEET 1 OF 3

PROPRIETARY ITEM
EXCEPT FOR USES EXPRESSLY GRANTED
IN WRITING, INFORMATION DISCLOSED
HEREON IS CONFIDENTIAL AND ALL
RIGHTS, PATENT AND OTHERWISE,
ARE RESERVED BY SOUTHCO, INC.

REVISION HISTORY			
REV	DATE	BY	DESCRIPTION
B	02FEB2018	DKM/DMS	PRN: P2018-0542



NOTES:

- A. THE TOLERANCE BETWEEN THE LATCH AND STRIKER BOLT ASSUMES A NON-RIGID DOOR INSTALLATION THAT WILL ALLOW THE DOOR TO MOVE INTO THE NOMINAL POSITION DURING LATCHING. RIGID DOORS MUST HAVE THE STRIKER INSTALLED PER THE PANEL PREPARATION RECOMMENDATION.
- B. THE MISALIGNMENT VIEW ASSUMES THE LATCH IS CONNECTED TO A PERFECTLY RIGID DOOR AND HINGE; THEREFORE, THERE IS NO DOOR AND/OR HINGE SLACK ASSOCIATED WITH THESE DIMENSIONS. THE MISALIGNMENT VIEW DOES NOT TAKE FLEXING OF THE STRIKER BOLT INTO ACCOUNT.

R4-10-X0-X05-10	Ø 7.2mm THRU	Ø 7.2 [.299]
R4-10-X1-X05-10	1/4-20 THREAD	Ø 6.8 [.268]
R4-10-X2-X05-10	M6x1 THREAD	Ø 6.4 [.252]
ASSEMBLY PART NUMBER	MOUNTING STYLE	MINIMUM PANEL HOLE

THIRD ANGLE PROJECTION				southco [®] CONNECT • CREATE • INNOVATE	
MILLIMETERS [IN]					
TOLERANCES UNLESS OTHERWISE NOTED		DESCRIPTION R4 MINI ROTARY LATCH RIGHT HAND - BSR INSERT			
ALL DIMENSIONS WITHOUT TOLERANCES ARE FOR REFERENCE ONLY.		SIZE B	SYSTEM NX	DWG NO. J-R4-10-5AR	
PER ASME Y14.5M-1994		DRAWN BY CMG/DGJ	DATE 06MAY2014	SCALE 1:1	SHEET 2 OF 3
<small>PROPRIETARY ITEM EXCEPT FOR USES EXPRESSLY GRANTED IN WRITING, INFORMATION DISCLOSED HEREON IS CONFIDENTIAL AND ALL RIGHTS, PATENT AND OTHERWISE, ARE RESERVED BY SOUTHCO, INC.</small>					

6

5

4

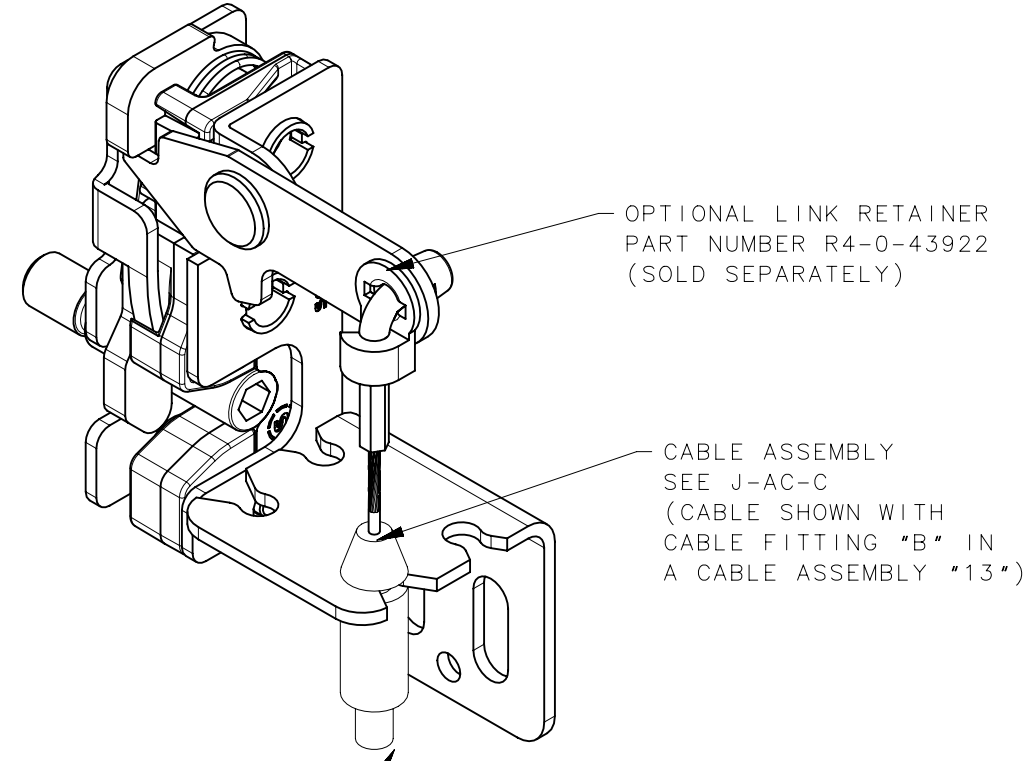
3

2

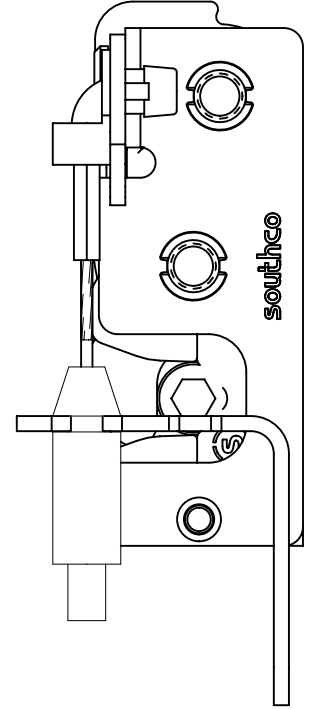
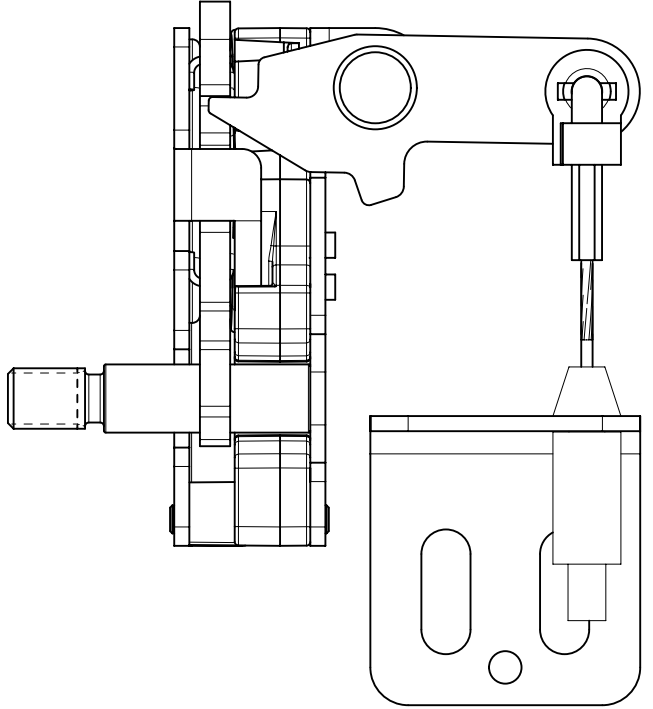
1

REVISION HISTORY			
REV	DATE	BY	DESCRIPTION
B	02MAR2018	DKM/DMS	PRN: P2018-0542

PERPENDICULAR LEVER OPTION SHOWN



OPTIONAL CABLE ASSEMBLY
MOUNTING BRACKET
PART NUMBER AC-900-02-10
(SOLD SEPARATELY)



THIRD ANGLE PROJECTION		southco [®] CONNECT • CREATE • INNOVATE	
MILLIMETERS [IN]			
TOLERANCES UNLESS OTHERWISE NOTED		DESCRIPTION R4 MINI ROTARY LATCH RIGHT HAND - BSR INSERT	
ALL DIMENSIONS WITHOUT TOLERANCES ARE FOR REFERENCE ONLY.		SIZE B	SYSTEM NX
PROPRIETARY ITEM <small>EXCEPT FOR USES EXPRESSLY GRANTED IN WRITING, INFORMATION DISCLOSED HEREON IS CONFIDENTIAL AND ALL RIGHTS, PATENT AND OTHERWISE, ARE RESERVED BY SOUTHCO, INC.</small>		DWG NO. J-R4-10-5AR	DATE 06MAY2014
PER ASME Y14.5M-1994		DRAWN BY CMG/DGJ	SCALE 1:1
		SHEET 3 OF 3	

6

5

4

3

2

1