

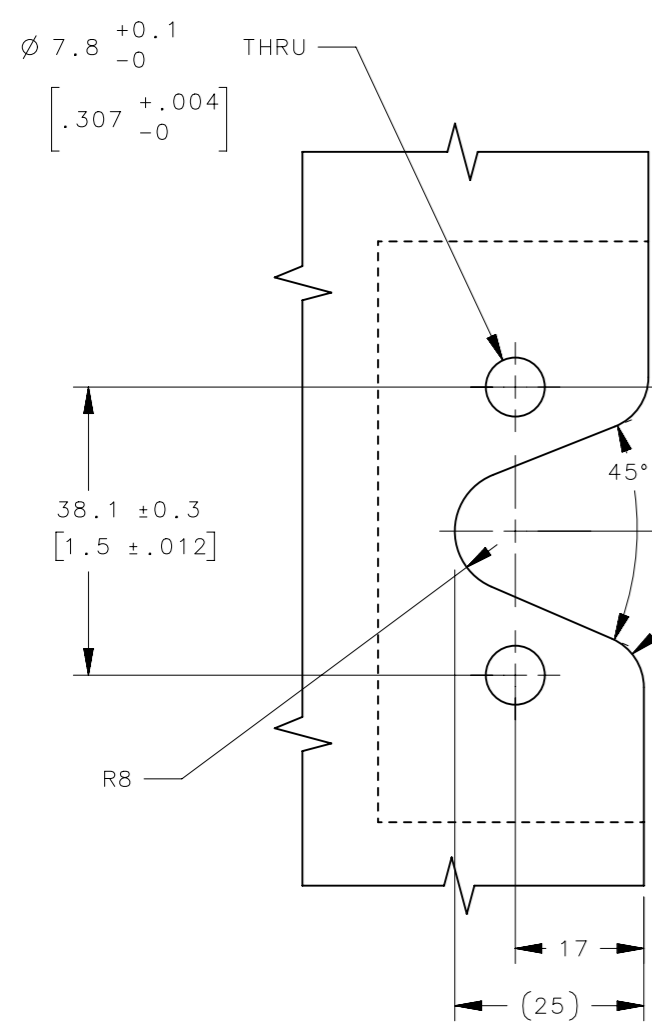
REVISION HISTORY			
REV	DATE	BY	DESCRIPTION
C	08MAR2018	JDO/MJS	PRN: P2018-0580

NOTES:

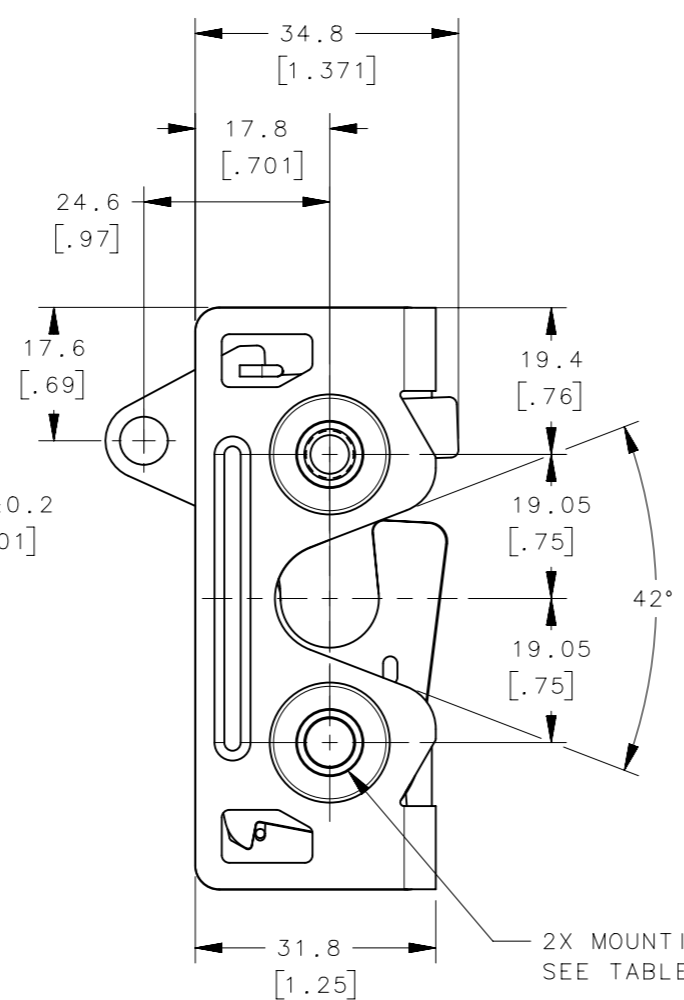
A. MATERIAL AND FINISH:

- HOUSING, LEVER AND INTERNAL COMPONENTS: STAINLESS STEEL, PASSIVATED
- PAWL AND TRIGGER: STAINLESS STEEL, PASSIVATED
- SPRING: STAINLESS STEEL, PASSIVATED

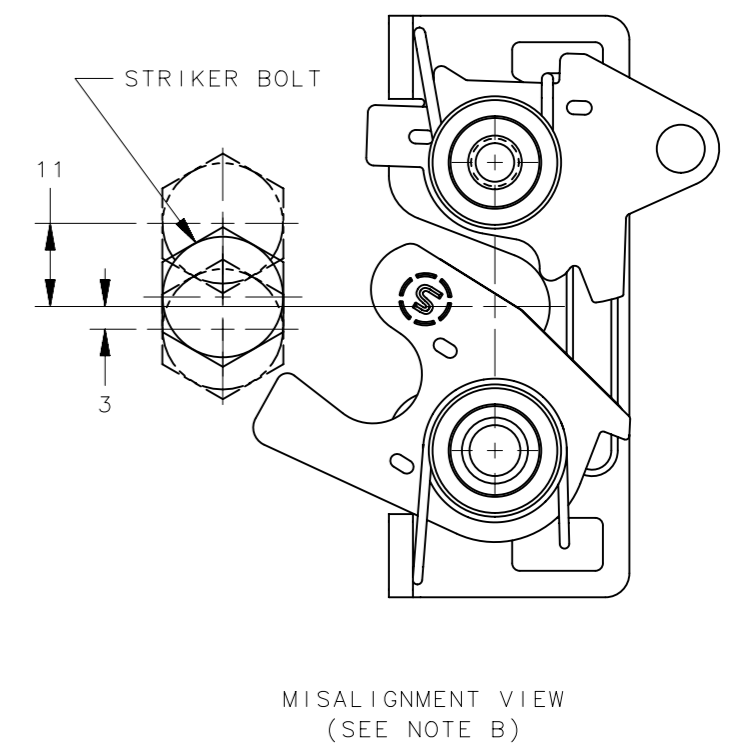
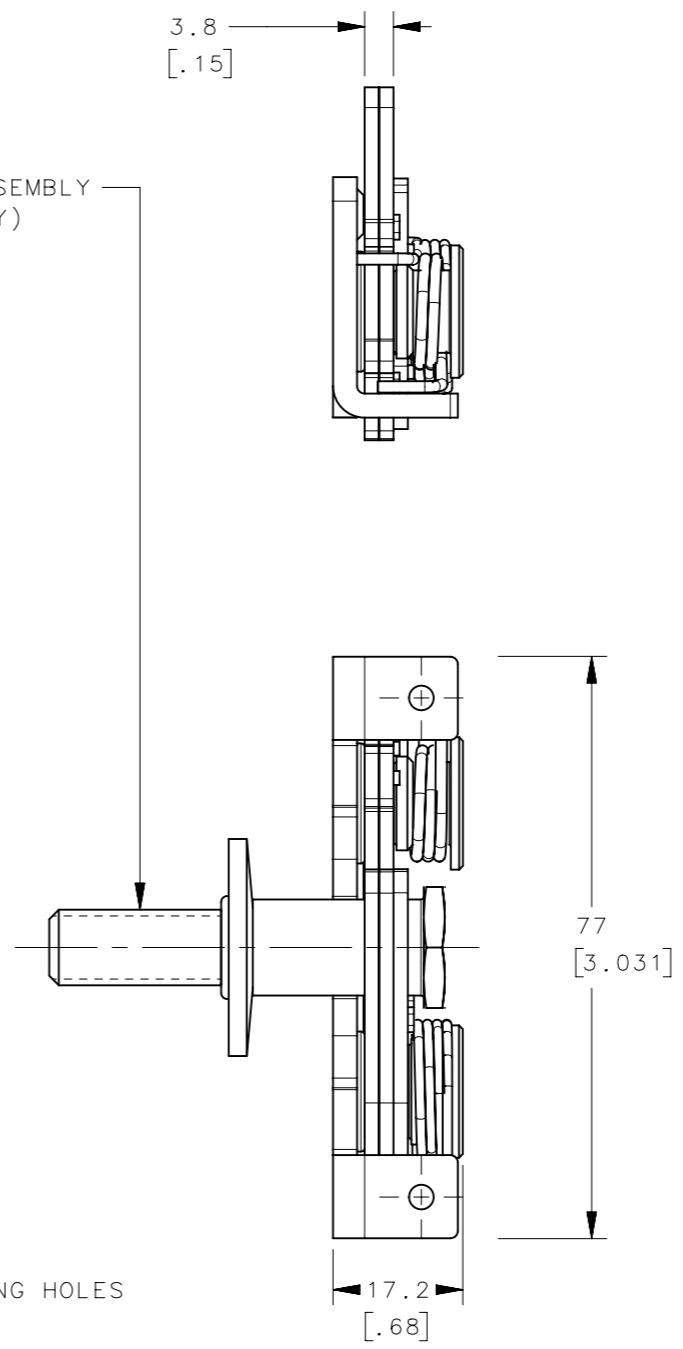
B. THE MISALIGNMENT VIEW ASSUMES THE LATCH IS CONNECTED TO A PERFECTLY RIGID DOOR AND HINGE; THEREFORE, THERE IS NO DOOR AND/OR HINGE SLACK ASSOCIATED WITH THESE DIMENSIONS, THE MISALIGNMENT VIEW DOES NOT TAKE FLEXING OF THE STRIKER BOLT INTO ACCOUNT.



PANEL PREPARATION



STRIKER BOLT ASSEMBLY (SOLD SEPARATELY) SEE J-R4-90-321 FOR DETAILS



PART NUMBER	LATCH MOUNTING HOLE	MATERIAL	FINISH	GENERAL NOTES
R4-30-32-501-20	M6 THREAD	SEE NOTE A	SEE NOTE A	
R4-30-31-501-20	1/4-20 THREAD	SEE NOTE A	SEE NOTE A	
R4-30-30-501-20	$\phi 6.73$ THRU HOLE	SEE NOTE A	SEE NOTE A	

THIRD ANGLE PROJECTION										
MILLIMETERS [IN]										
SURFACE AREA	TOLERANCES UNLESS OTHERWISE NOTED	DESCRIPTION R4 LATCH ASSEMBLY - BOTTOM PULLBACK RIGHT HAND ACTUATION STAINLESS STEEL								
VOLUME	ALL DIMENSIONS WITHOUT TOLERANCES ARE FOR REFERENCE ONLY.									
PROPRIETARY ITEM	PER ASME Y14.5M-1994	<table border="1"> <tr> <td>SIZE</td> <td>SYSTEM</td> <td>DWG NO.</td> </tr> <tr> <td>A3</td> <td>NX</td> <td>J-R4-30-30-501-20</td> </tr> </table>	SIZE	SYSTEM	DWG NO.	A3	NX	J-R4-30-30-501-20		
SIZE	SYSTEM	DWG NO.								
A3	NX	J-R4-30-30-501-20								
EXCEPT FOR USES EXPRESSLY GRANTED IN WRITING, INFORMATION DISCLOSED HEREON IS CONFIDENTIAL AND ALL RIGHTS, PATENT AND OTHERWISE, ARE RESERVED BY SOUTHCO, INC.		<table border="1"> <tr> <td>DRAWN BY</td> <td>DATE</td> <td>SCALE</td> <td>SHEET</td> </tr> <tr> <td>YK/ACH</td> <td>14OCT2014</td> <td>1:1</td> <td>1 OF 1</td> </tr> </table>	DRAWN BY	DATE	SCALE	SHEET	YK/ACH	14OCT2014	1:1	1 OF 1
DRAWN BY	DATE	SCALE	SHEET							
YK/ACH	14OCT2014	1:1	1 OF 1							