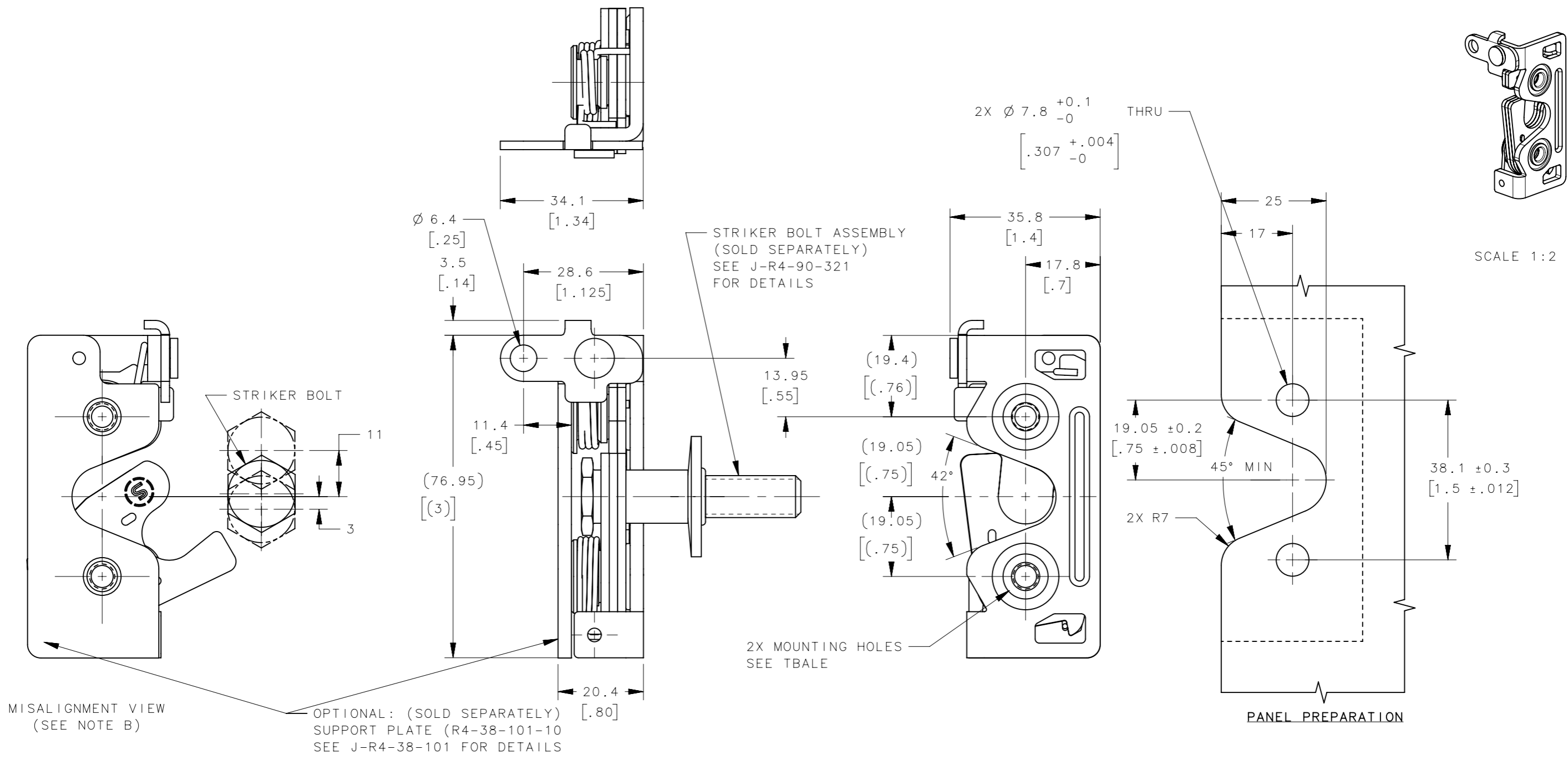


REVISION HISTORY			
REV	DATE	BY	DESCRIPTION
C	14MAY2020	CB1/VK	PRN: P2020-0956



NOTES:

A. MATERIAL AND FINISH:

- HOUSING, LEVER AND INTERNAL COMPONENTS: STEEL
- PAWL AND TRIGGER: HARDENED STEEL,
- SPRING: STAINLESS STEEL, PASSIVATED

B. THE MISALIGNMENT VIEW ASSUMES THE LATCH IS CONNECTED TO A PERFECTLY RIGID DOOR AND HINGE; THEREFORE, THERE IS NO DOOR AND/OR HINGE SLACK ASSOCIATED WITH THESE DIMENSIONS, THE MISALIGNMENT VIEW DOES NOT TAKE FLEXING OF THE STRIKER BOLT INTO ACCOUNT.

R4-30-42-101-15	M6 THREAD	SEE NOTE A	BLACK ZINC NICKEL
R4-30-41-101-15	1/4-20 THREAD	SEE NOTE A	BLACK ZINC NICKEL
R4-30-40-101-15	$\varnothing 6.73$ THRU HOLE	SEE NOTE A	BLACK ZINC NICKEL
R4-30-42-101-10	M6 THREAD	SEE NOTE A	ZINC PLATED, BRIGHT CHROMATE
R4-30-41-101-10	1/4-20 THREAD	SEE NOTE A	ZINC PLATED, BRIGHT CHROMATE
R4-30-40-101-10	$\varnothing 6.73$ THRU HOLE	SEE NOTE A	ZINC PLATED, BRIGHT CHROMATE
PART NUMBER	LATCH MOUNTING HOLE	MATERIAL	FINISH

THIRD ANGLE PROJECTION		 CONNECT • CREATE • INNOVATE	
MILLIMETERS [IN]			
TOLERANCES UNLESS OTHERWISE NOTED		DESCRIPTION	
ALL DIMENSIONS WITHOUT TOLERANCES ARE FOR REFERENCE ONLY.		R4 LATCH ASSEMBLY - PERPENDICULAR LEFT HAND ACTUATION	
PROPRIETARY ITEM		SIZE	DWG NO.
EXCEPT FOR USES EXPRESSLY GRANTED IN WRITING, INFORMATION DISCLOSED HEREON IS CONFIDENTIAL AND ALL RIGHTS, PATENT AND OTHERWISE, ARE RESERVED BY SOUTHCO, INC.		A3	NX
PER ASME Y14.5M-1994		DATE	SCALE
		ACH/CMS	18JUN2013
		SCALE	1:1
		SHEET	1 OF 1