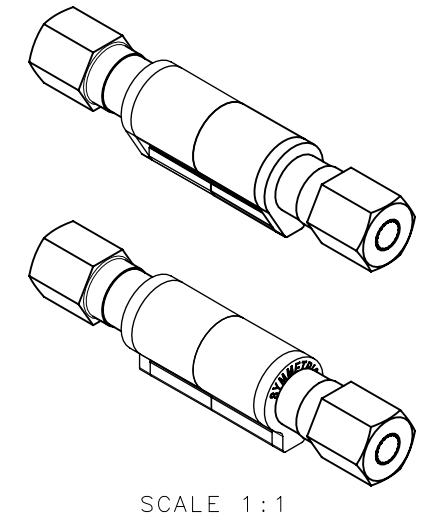
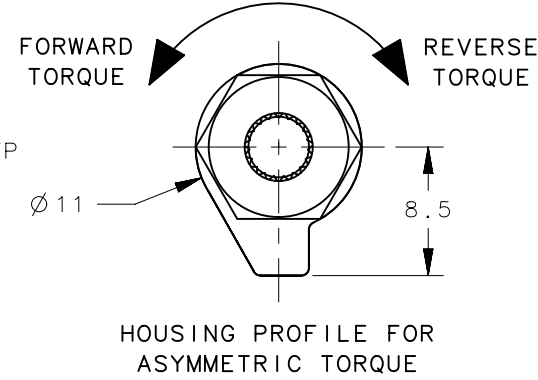
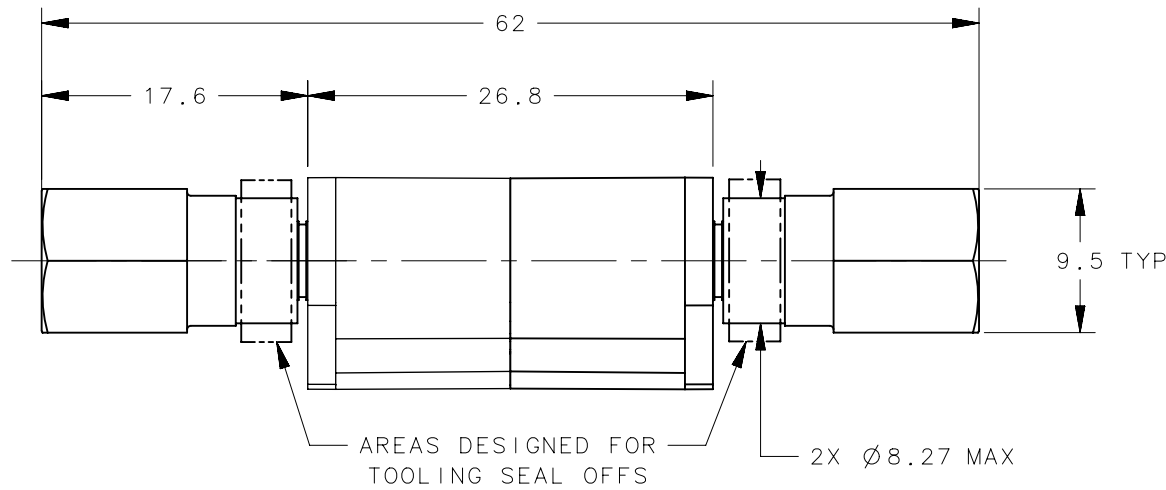
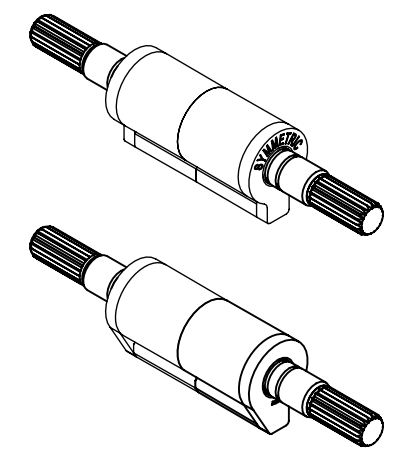
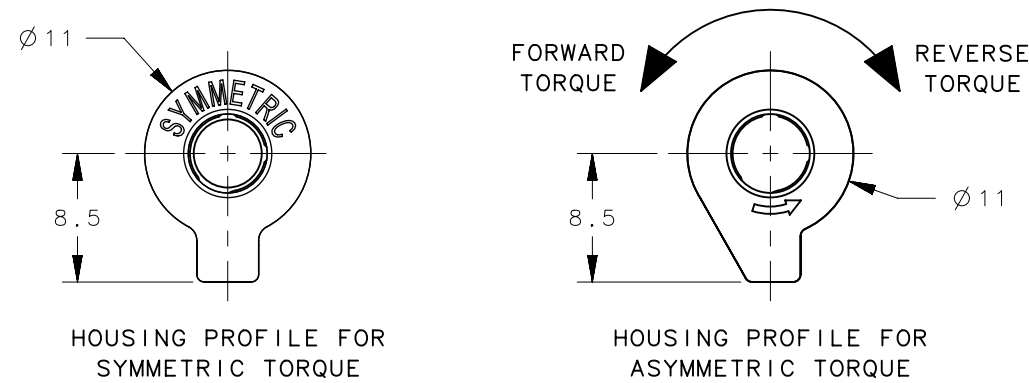
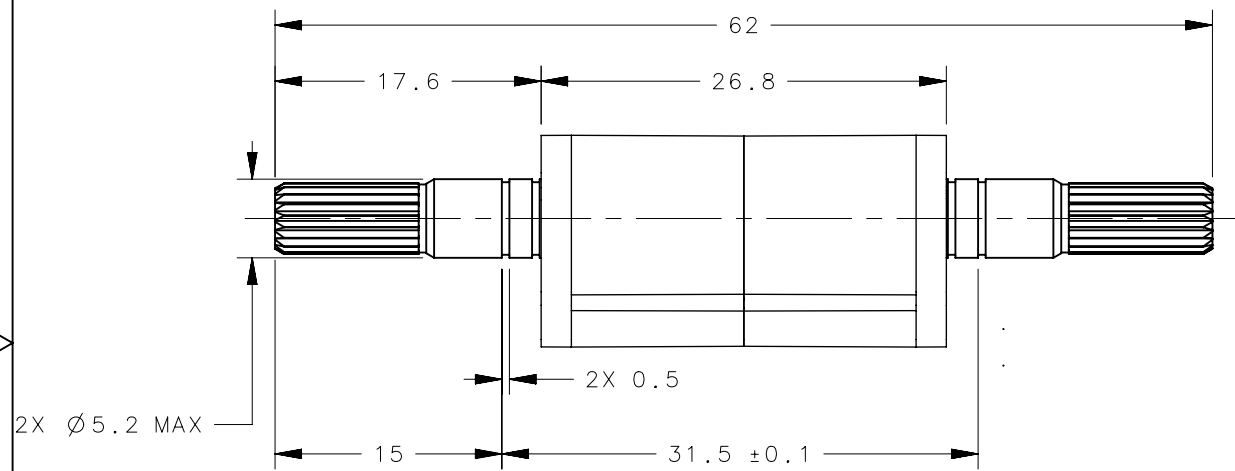


HEX SHAFT STYLE



SCALE 1:1

KNURLED SHAFT STYLE



SCALE 1:1

NOTES:

1. CYCLE LIFE TO BE 20,000 CYCLES WITH LESS THAN 20% TORQUE CHANGE FROM MANUFACTURED VALUE
2. PERFORMANCE TORQUE TOLERANCE: ±20%
3. MATERIAL:
 - HOUSING: DIE CAST ZINC
 - INTERNAL COMPONENTS: HARDENED STEEL
 - BUSHINGS: ALUMINUM
4. HINGES ARE DESIGNED TO BE INSERT MOLDED INTO A POLYMER BASE. PRESS-IN INSTALLATION IS NOT RECOMMENDED.

REVISION HISTORY			
REV	DATE	BY	DESCRIPTION
I	11JUN2019	JJT/MJS	PRN: P2019-1493

PART NUMBER	SHAFT STYLE	HOUSING PROFILE	FORWARD TORQUE Nm (in-lbf)	REVERSE TORQUE Nm (in-lbf)
ST-11P2-350SA-33	HEX	SYMM	3.95 (35)	
ST-11P2-300SA-33	KNURL	SYMM	3.39 (30)	
ST-11P2-250SA-33	KNURL	SYMM	2.82 (25)	
ST-11P2-200SA-33	KNURL	SYMM	2.26 (20)	
ST-11P2-150SA-33	KNURL	SYMM	1.69 (15)	
ST-11P2-400FA-33	HEX	ASYMM	4.52 (40)	3.16 (28)
ST-11P2-350FA-33	HEX	ASYMM	3.95 (35)	2.77 (24.5)
ST-11P2-300FA-33	KNURL	ASYMM	3.39 (30)	2.37 (21)
ST-11P2-250FA-33	KNURL	ASYMM	2.82 (25)	1.98 (17.5)
ST-11P2-200FA-33	KNURL	ASYMM	2.26 (20)	1.58 (14)
ST-11P2-150FA-33	KNURL	ASYMM	1.69 (15)	1.19 (10.5)
ST-11P2-400RA-33	HEX	ASYMM	3.16 (28)	4.52 (40)
ST-11P2-350RA-33	HEX	ASYMM	2.77 (24.5)	3.95 (35)
ST-11P2-300RA-33	KNURL	ASYMM	2.37 (21)	3.39 (30)
ST-11P2-250RA-33	KNURL	ASYMM	1.98 (17.5)	2.82 (25)
ST-11P2-200RA-33	KNURL	ASYMM	1.58 (14)	2.26 (20)
ST-11P2-150RA-33	KNURL	ASYMM	1.19 (10.5)	1.69 (15)

THIRD ANGLE PROJECTION				
TOLERANCES UNLESS OTHERWISE NOTED		DESCRIPTION		
ALL DIMENSIONS WITHOUT TOLERANCES ARE FOR REFERENCE ONLY.		HINGE & CONTROLLED MOTION DEVICE		
PROPRIETARY ITEM	PER ASME Y14.5M-1994	SIZE A3	SYSTEM NX	DWG NO. J-ST-11P2
EXCEPT FOR USES EXPRESSLY GRANTED IN WRITING, INFORMATION DISCLOSED HEREON IS CONFIDENTIAL AND ALL RIGHTS, PATENT AND OTHERWISE, ARE RESERVED BY SOUTHCO, INC.		DRAWN BY CMS/TS	DATE 15DEC2016	SCALE 2:1 SHEET 1 OF 1