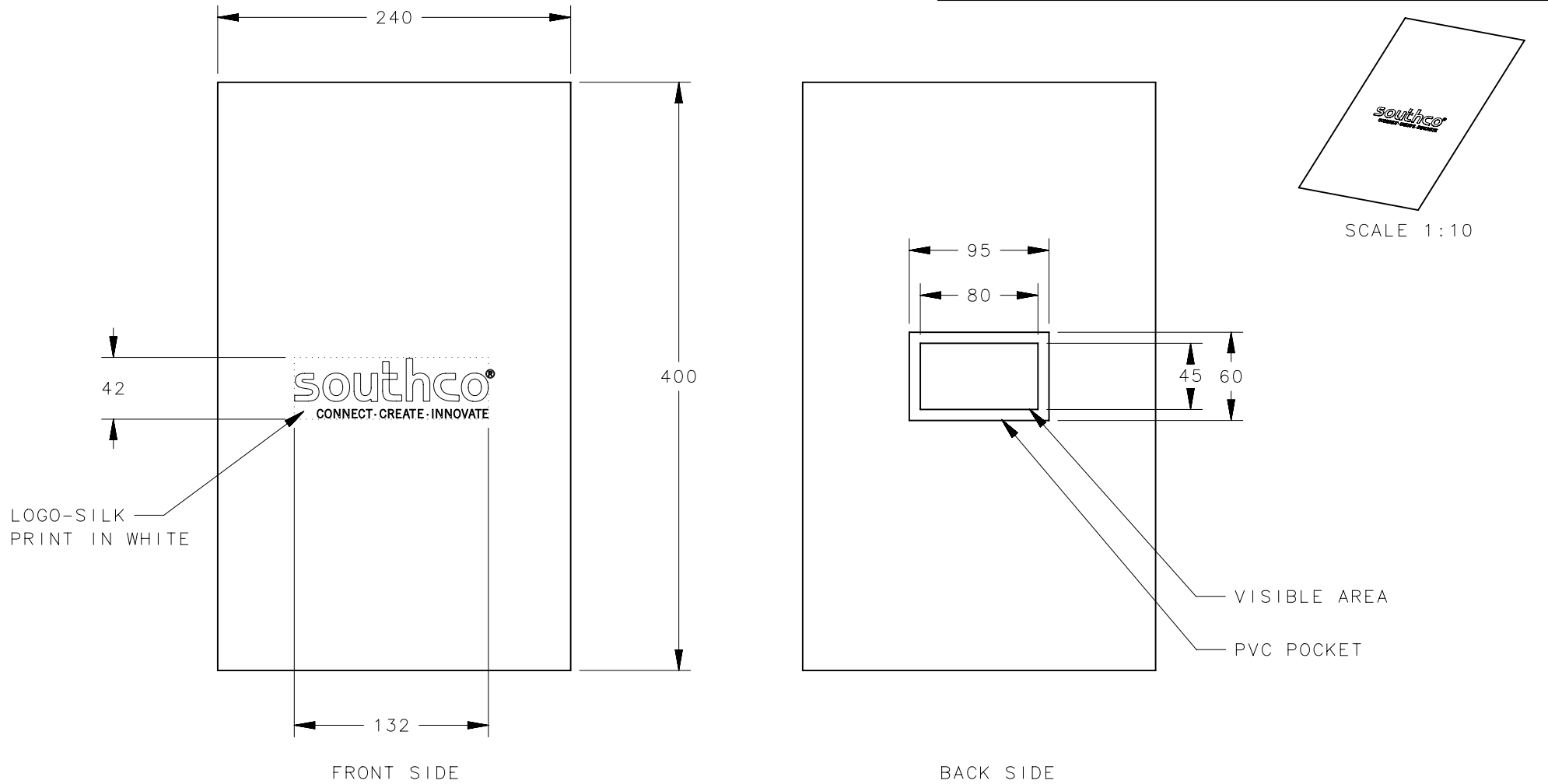


REVISION HISTORY			
REV	DATE	BY	DESCRIPTION
A	16MAR2017	RNG/YGC	PRN: P2017-0382



NOTES:

1. COLOR - BLACK
2. MATERIAL AND THICKNESS - NEOPRENE, 2mm THICK
3. 1 PVC POCKET ON BACK SIDE AS SHOWN
4. ALSO INCLUDES 20mm DIAMETER STOPPER AND LACE

	THIRD ANGLE PROJECTION	 CONNECT·CREATE·INNOVATE			
	MILLIMETERS [IN]				
	TOLERANCES UNLESS OTHERWISE NOTED	DESCRIPTION			
SURFACE AREA	ALL DIMENSIONS WITHOUT TOLERANCE ARE FOR REFERENCE ONLY	BAG			
VOLUME		SIZE	SYSTEM	DWG NO.	
PROPRIETARY ITEM	PER ASME Y14.5M-1994	A4	NX	J-TA-3-5-3	
EXCEPT FOR USES EXPRESSLY GRANTED IN WRITING, INFORMATION DISCLOSED HEREON IS CONFIDENTIAL AND ALL RIGHTS, PATENT AND OTHERWISE, ARE RESERVED BY SOUTHCO, INC.		DRAWN BY	DATE	SCALE	SHEET
		RNG/YGC	16MAR2017	1:4	1 OF 1