



## 4D Captive Screws

Prism series M3 and 6-32 thread size

- Designate access points with color
- Color match captive screws to your industrial design
- High strength screw for use with high torque drivers

### Material and Finish

Standoff:

Press-in: Carbon steel, zinc plate,

Flare-in: Aluminum, natural

Spring: 300 series stainless steel, passivated

Screw: Hardened carbon steel, zinc plated, chromate, plus sealer

Knob: Nylon

### Performance Details

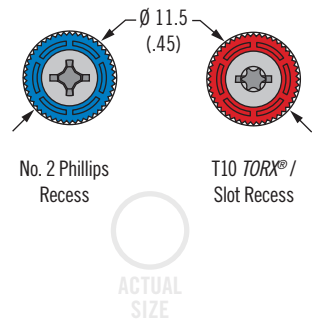
Flammability Rating: UL94-V0

### Installation Notes

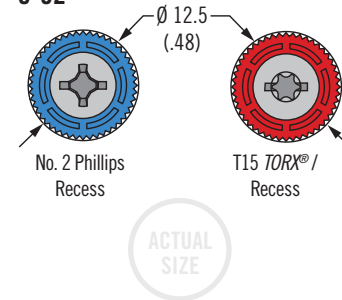
See pages 546-547, 627

### Recess Styles

M3

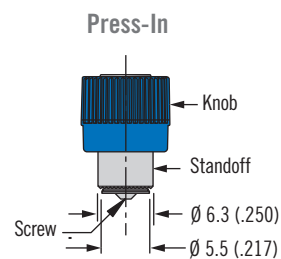


6-32

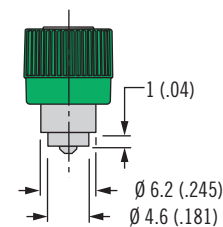


### Installation Styles

M3

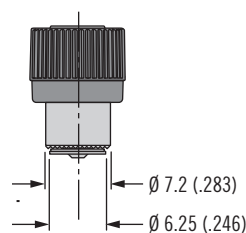


Flare-In

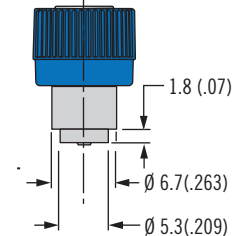


6-32

Press-In

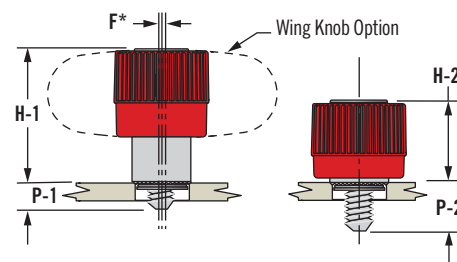


Flare-In



### Knob Height and Screw Projection

(Press-in style shown)



TORX® is a registered trademark of CAMCAR Innovations

## M3 Thread Size

Installation Style	Part Number		Flange Length L	Screw Projection Beyond Outer Surface of Panel		Knob Height†		Total Float	Panel Preparation	
	Phillips Recess	TORX® Recess		P-1	P-2	H-1	H-2		F*	∅ D
Flare-In Style	4D-P1-47F40-K000	4D-T1-47F40-K000	1.8 (.07)	0.7	4.7	12.5	8.5	F*	4.8 +0.08 / -0.05	3.6 +0.2 / -0.1
	4D-P1-57F40-K000	4D-T1-57F40-K000		1.7	5.7					
	4D-P1-67F40-K000	4D-T1-67F40-K000		2.7	6.7					
	4D-P1-47G40-K000	4D-T1-47G40-K000	1 (.03)	0.7	4.7	12.5	8.5			
	4D-P1-57G40-K000	4D-T1-57G40-K000		1.7	5.7					
	4D-P1-67G40-K000	4D-T1-67G40-K000		2.7	6.7					

## 6-32

Installation Style	Part Number		Flange Length L	Screw Projection Beyond Outer Surface of Panel		Knob Height†		Total Float	Panel Preparation	
	Phillips Recess	TORX® Recess		P-1	P-2	H-1	H-2		F*	∅ D
Flare-In Style	4D-PB-48F40-K000	4D-TB-48F40-K000	1.8 (.07)	0.8	4.8	13	9	F*	5.4 +0.08 / -0	3 +0.2 / -0.1
	4D-PB-58F40-K000	4D-TB-58F40-K000		1.8	5.8					
	4D-PB-68F40-K000	4D-TB-68F40-K000		2.8	6.8					
	4D-PB-68F55-K000	4D-TB-68F55-K000		1.3	6.8	16	10.5			
	4D-PB-78F55-K000	4D-TB-78F55-K000		2.3	7.8					
	4D-PB-90F55-K000	4D-TB-90F55-K000		3.5	9					
	4D-PB-100F55-K000	4D-TB-100F55-K000		4.5	10					

(shown in table)



**000**  
Black



**008**  
Blue



**013**  
Red



**014**  
Green



**Your Color**  
Contact Southco

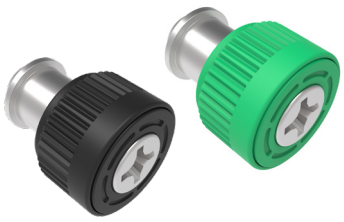
## Part Number

See table

Notes: \*F indicates the maximum float in the unfastened position

TORX® is a registered trademark of CAMCAR Innovations

Dimensions in millimeters (inch) unless otherwise stated



# 4D Captive Screws

## Prism series Surface Mount Technology (SMT) Style

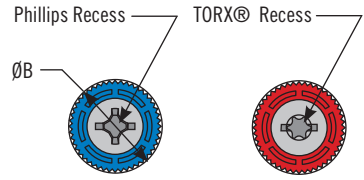
- For installation to PC Board material utilizing surface mount technology
- Designate access points with colour
- Colour match captive screws to your industrial design
- Polyimide tape and plug are removed

### Material and Finish

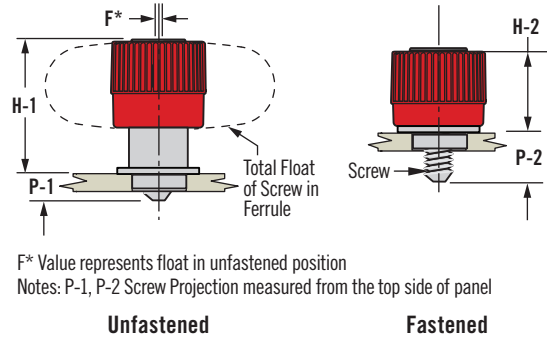
Standoff: Steel, Tin plated  
 Knob: Nylon  
 Spring: 300 series stainless steel, passivated  
 Screw: Hardened carbob steel, zinc plated, chromate, plus sealer

### Installation Notes

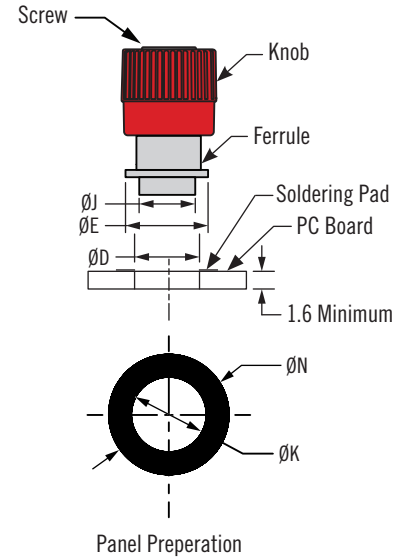
Visit [www.southco.com](http://www.southco.com) for additional installation guidelines



### Knob Height and Screw Projection



F\* Value represents float in unfastened position  
 Notes: P-1, P-2 Screw Projection measured from the top side of panel



Please contact Southco for more available color choices

Thread Size	Part Number		P-1	P-2	H-1	H-2	Ø B	Ø J	Ø E	F*	Ø K	Ø N	Panel Preparation
	Phillips Recess	TORX® Recess											Ø D
6-32	4D-PB-45S40-K000	4D-TB-45S40-K000	0.5	4.5	13.3	9.3	12.5	6.2	8.2	0.5	6.4	10.2	6.4 +0.08 / -0
	4D-PB-55S40-K000	4D-TB-55S40-K000	1.5	5.5									
	4D-PB-65S40-K000	4D-TB-65S40-K000	2.5	6.5									
	4D-PB-65S56-K000	4D-TB-65S56-K000	0.9	6.5	16.4	10.8	11.5	5.5	7.6	0.5	5.6	8.6	
	4D-PB-75S56-K000	4D-TB-75S56-K000	1.9	7.5									
	4D-PB-87S56-K000	4D-TB-87S56-K000	3.1	8.7									
	4D-PB-97S56-K000	4D-TB-97S56-K000	4.1	9.7									
M3	4D-P1-40S40-K000	4D-T1-40S40-K000	0	4	13.2	9.2	11.5	5.5	7.6	0.5	5.6	8.6	5.6 +0.08 / -0
	4D-P1-50S40-K000	4D-T1-50S40-K000	1	5									
	4D-P1-60S40-K000	4D-T1-60S40-K000	2	6									
	4D-P1-75S55-K000	4D-T1-75S55-K000	2	7.5	16.2	10.7							
	4D-P1-85S55-K000	4D-T1-85S55-K000	3	8.5									

TORX® is a registered trademark of CAMCAR Innovations