



AV Series Dynamic Mounting Arm

Tilt and swivel · Single arm · Height Adjusting

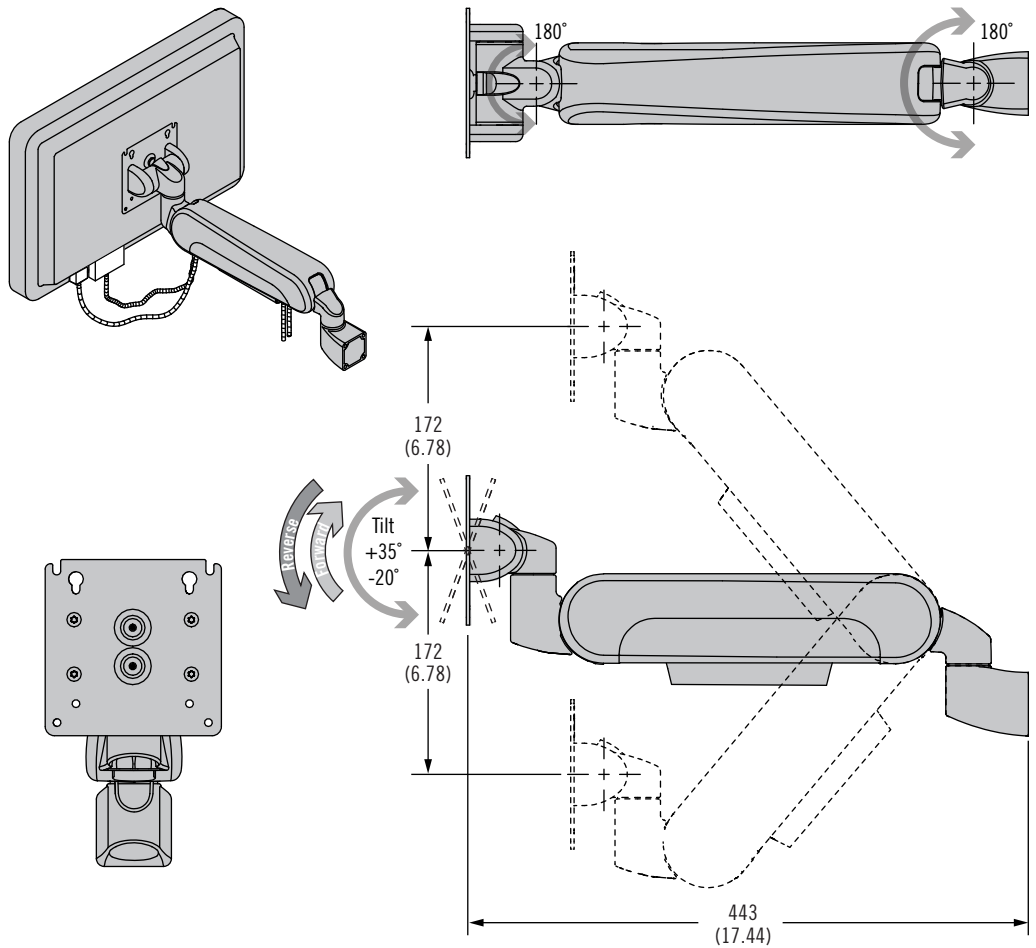
- **Intuitive grab and move operation enhances the user experience**

No knobs or tools required to reposition the display

Precise control of operating effort ensures ideal “feel” and eliminates “drift”

Holds securely, even in applications with dynamic loading

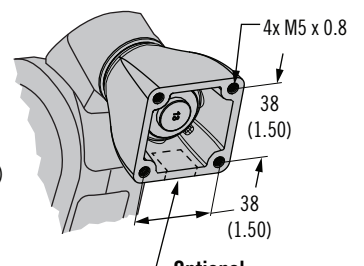
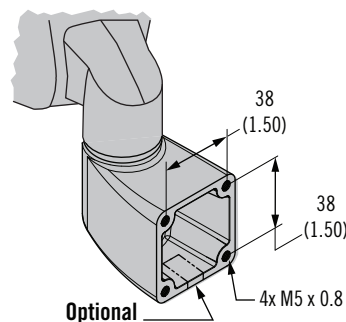
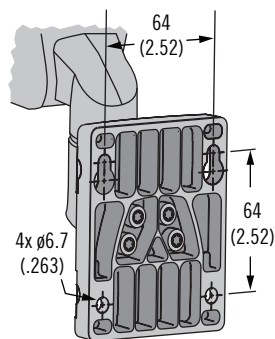
- **Consistent repeatable operation**
- **Fully enclosed for optimum cleanability**
- **Snap-open channels simplify wire management**
- **Factory assembled and ready for use**



Wall Mount, Front Fastened

Wall Mount, Rear Fastened

Table Mount



Other options available. For complete details on variety, part numbers, installation and specification, go to



www.southco.com/AV

Dimensions in millimeters (inch) unless otherwise stated

AV Series Dynamic Mounting Arm

Tilt and swivel · Single arm · Height Adjusting

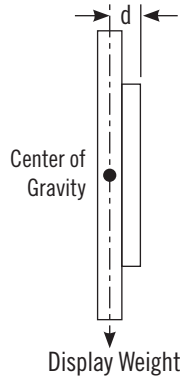


67B

Specification and Selection

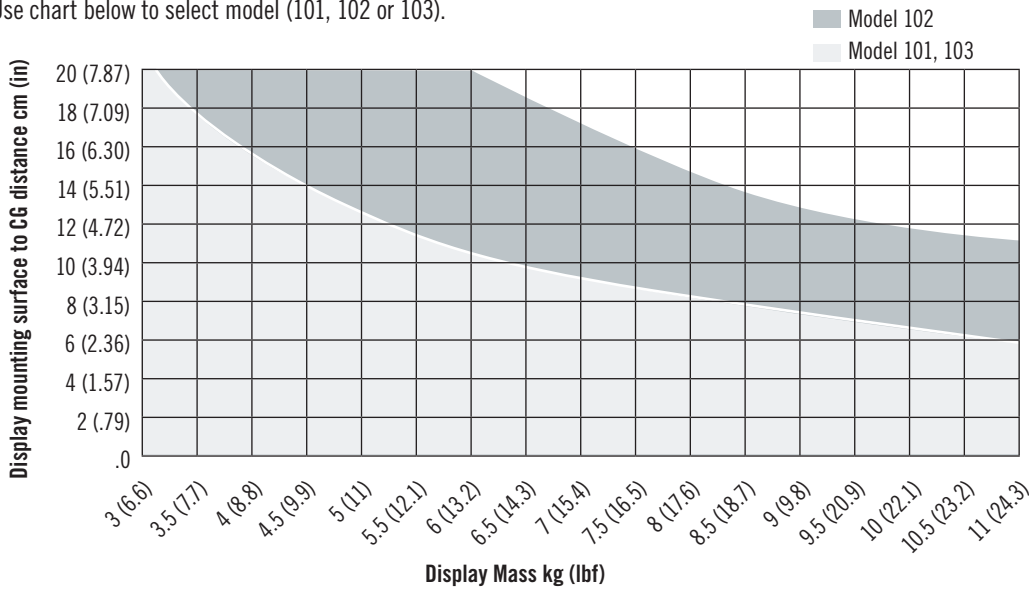
Step 1

Determine display weight and distance (d) from mounting surface to center of gravity.



Step 2

Use chart below to select model (101, 102 or 103).



Step 3

Complete part number by selecting model and color options below.

[K]	Mounting Style
0	Wall Mounted, Rear Fastened
1	Wall Mounted, Rear Fastened, with wire notch
2	Table Mount
3	Table Mount, with wire notch
4	Wall Mounted, Front Fastened

[S]	Model	Tilt Torque N•m (in lbf)		Maximum Display Weight kg(lb)
		Reverse	Forward	
1	101	7.9 (70)	1.13 (10)	7 (15)
2	102	15.4 (136)	2.26 (20)	10 (22)
3	103	8.6 (76)	6.0 (53)	7 (15)

[F]	Color
50	Black
76	White

AV - D32-30V1 **K** **S** - **F**

Material and Finish

Aluminum alloy, powder coated

Performance Details

Cycle performance: 20,000 cycles.

Swivel Torque:

At Device Mount: 4.3 N-m (38 in-lbf)

At Wall Mount: 6.0 N-m (53 in-lbf)

Average ultimate load:

665N (150lbf)

See trade drawing for details.

Part Number Example:

AV-D32-30V101-50 = Single Arm, Model 101, wall mount, no wire notch, black