



C3 Push-to-Close Latch

Pull-to-open · Grabber catch · Snap-in

- Spring-loaded over-center latching
- One assembly includes catch and keeper

Material and Finish

PC/ABS, black and glass-filled nylon, black, mineral filled nylon, black

Performance Details

Operating temperature range: -30°C (-20°F) to 60°C (140°F)

Flammability rating: UL94-HB

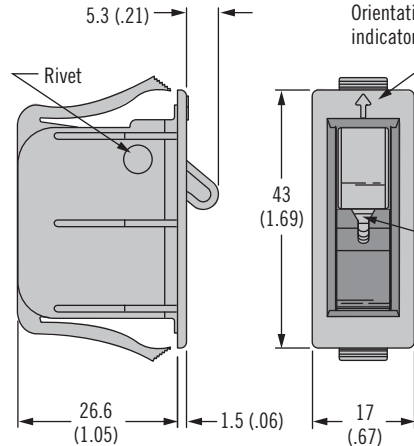
Installation Notes

Maximum tightening torque on mounting screws (not supplied)

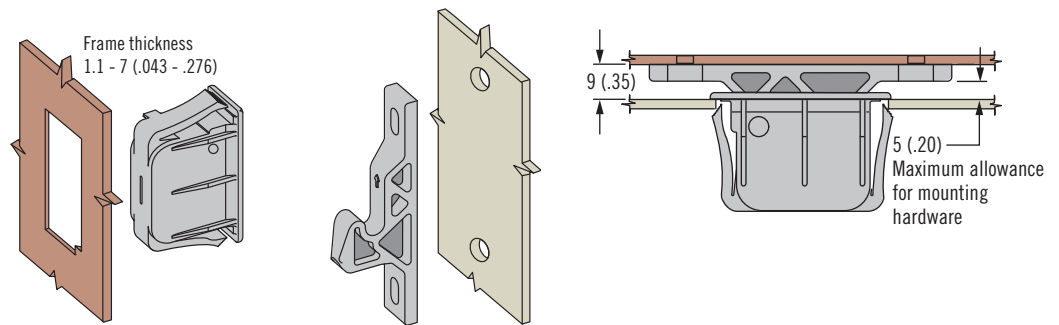
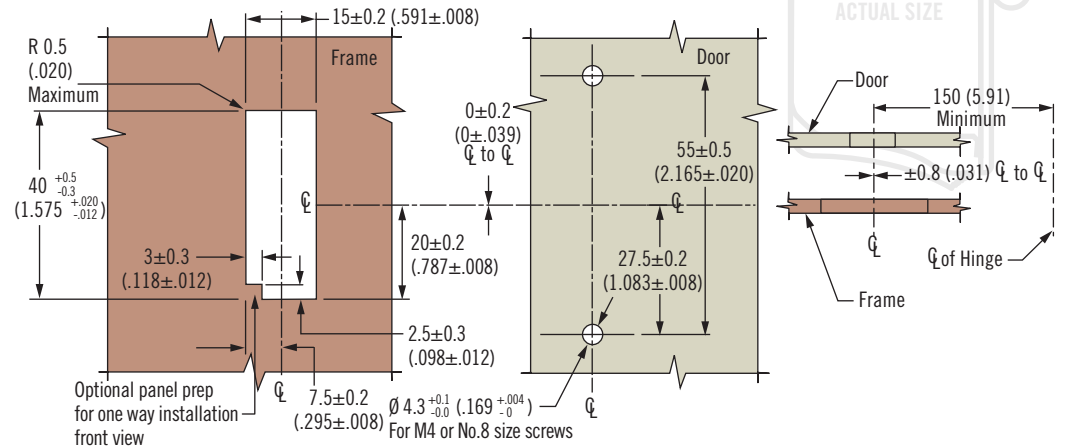
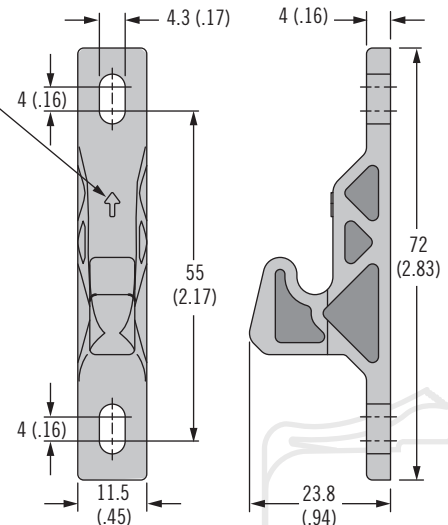
Keeper: 2.8 N·m (24.8 in·lbf)

Orient **keeper** to latch. The arrow on the keeper should point towards the cam. Mount to door and adjust for smooth latching

Catch



Keeper



Part Number

See table

Approximate Pull-Up Force	Spring Color	Part Number		
		Frame Thickness Range		
		1.1 - 2.9 (.043 - .114)	2.9 - 5.3 (.114 - .209)	5.3 - 7 (.209 - .276)
13 N (3 lbf)	Blue	C3-303	C3-503	C3-703
22 N (5 lbf)	Silver	C3-305	C3-505	C3-705
44 N (10 lbf)	Black	C3-310	C3-510	C3-710

Other options available. For complete details on variety, part numbers, installation and specification, go to



www.southco.com/C3

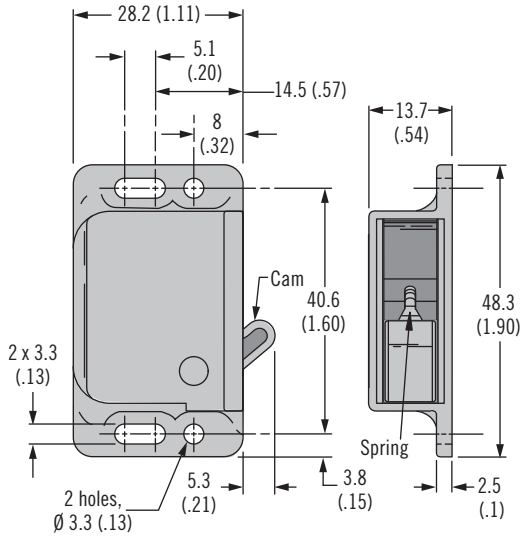
Dimensions in millimeters (inch) unless otherwise stated

C3 Push-to-Close Latch

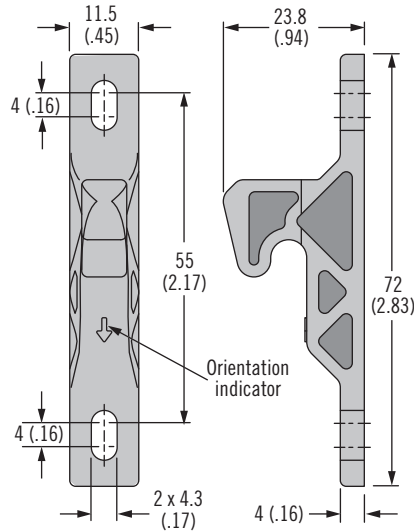
Pull-to-open · Grabber catch · Side mount



Catch



Keeper



- Spring-loaded over-center latching
- One assembly includes catch and keeper

Material and Finish

PC/ABS, black and glass-filled nylon, black, mineral filled nylon, black

Performance Details

Operating temperature range: -30°C (-20°F) to 60°C (140°F)

Flammability rating: UL94-HB

Installation Notes

Maximum tightening torque on mounting screws: (not supplied)

Catch: 1.1 N·m (9.7in·lbf)

Keeper: 2.8 N·m (24.8in·lbf)

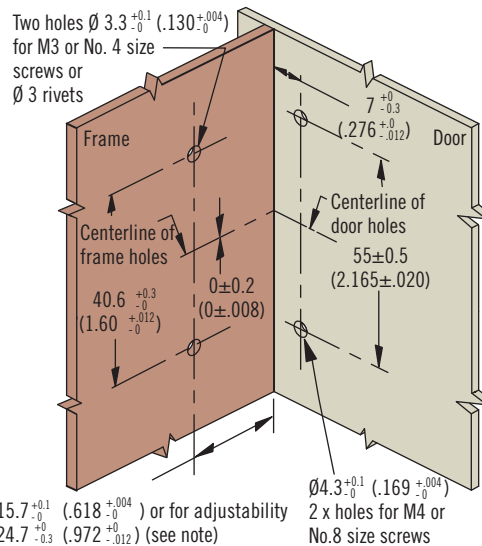
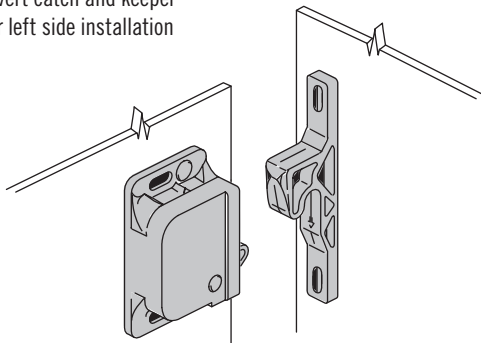
Orient **keeper** to latch. The arrow on the keeper should point towards the cam. Mount to door and adjust for smooth latching.

Minimum distance from frame (or surface on which catch sub-assembly is mounted) to centerline of door hinge is 150 (5.9)



Right Side Installation Shown

Invert catch and keeper for left side installation



Note: These holes and dimensions are used only if adjustability through the use of slotted holes in catch is desired.

Approximate Pull-Up Force	Spring Color	Part Number
13 N (3 lbf)	Blue	C3-803
22 N (5 lbf)	Silver	C3-805
44 N (10 lbf)	Black	C3-810

Part Number

See table

Other options available. For complete details on variety, part numbers, installation and specification, go to



www.southco.com/C3



C3 Push-to-Close Latch

Pull-to-open · Grabber catch with integral Microswitch

- Opens and closes switch contacts with door operation
- One assembly includes catch and keeper
- Spring loaded over-centre latching

Material and Finish

PC/ABS, black and glass-filled nylon, black

Performance Details

Operating temperature range: -40°C (-40°F) to 60°C (140°F)

Flammability rating: UL94-V0

Installation Notes

Max. tightening torque on mounting screws (not supplied):

Catch 1.1 N·m (9.7 in lbf)

Keeper 2.8 N·m (24.8 in lbf)

Orient **keeper** to latch. The arrow on the keeper should point towards the cam. Mount to door and adjust for smooth latching.

Notes

This product is specifically designed to be used as a mechanical grabber catch with an electric switch. The switch is designed to operate an indicator light or form part of a non-safety related logic circuit. This is not designed for use as a safety interlock.

Terminal cover is used for protection during shipping only. Use strain relief on wires.

Min. distance from frame (or surface on which catch sub-assembly is mounted) to centreline of door hinge is 150 (5.9)

Part Number

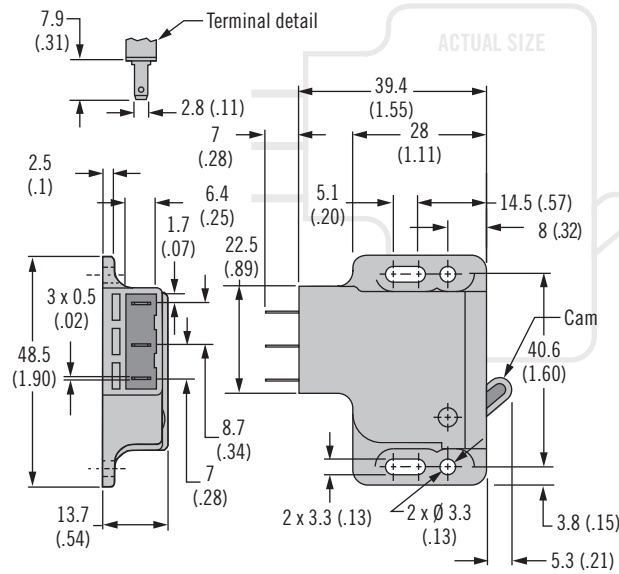
See table

Other options available. For complete details on variety, part numbers, installation and specification, go to

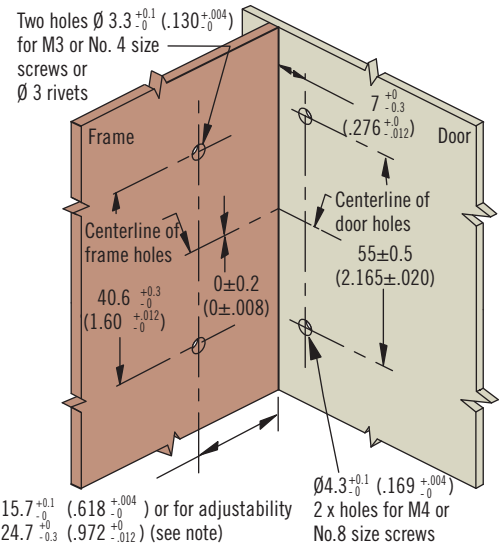
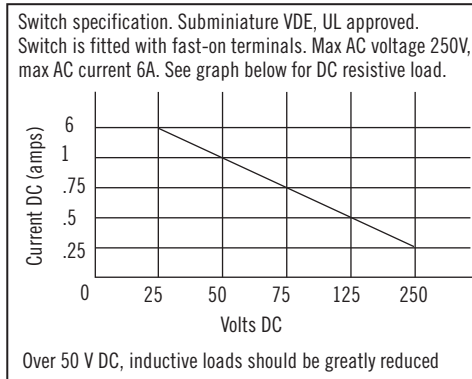
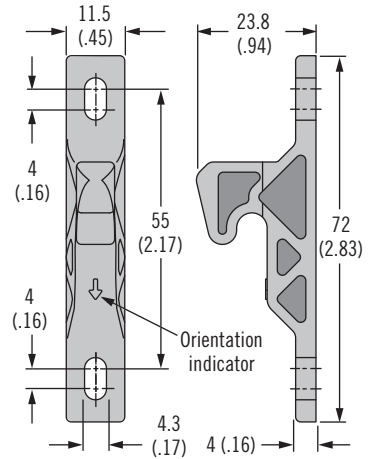


www.southco.com/AV

Catch

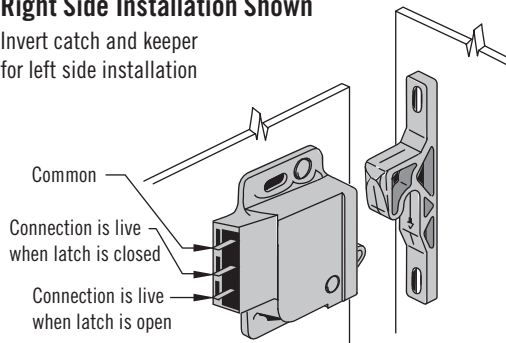


Keeper



Right Side Installation Shown

Invert catch and keeper for left side installation



Note: These holes and dimensions are used only if adjustability through the use of slotted holes in catch is desired.

Approximate Pull-Up Force	Spring Colour	Part Number
13 N (3 lbf)	Blue	C3-1803
22 N (5 lbf)	Silver	C3-1805
44 N (10 lbf)	Black	C3-1810

Dimensions in millimeters (inch) unless otherwise stated