



D7 DZUS® Pilot Quarter-Turn Fasteners Studs

Material and Finish

Studs: Steel, zinc plated plus chromate

Washer: Neoprene, black

Notes

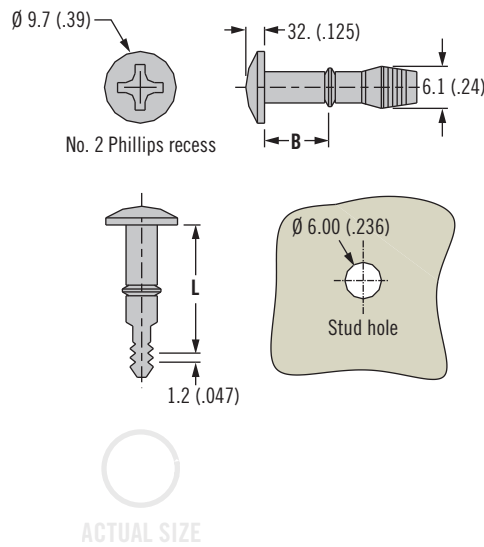
Select stud and washer part number from table based on your panel thickness **P**

Part Number

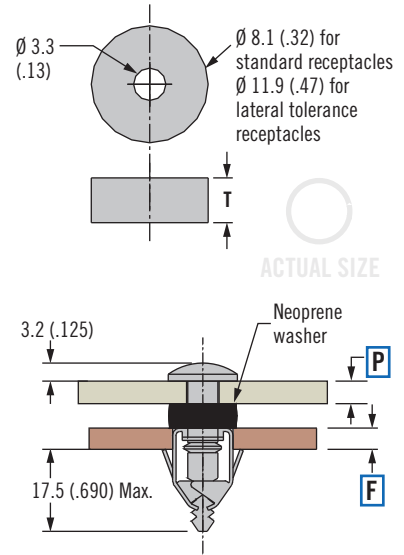
See table

Order stud and washer separately

Studs



Washer



P Panel Thickness	Stud L	Stud B	T Washer Thickness	Part Number			
				Stud		Neoprene Washer	
				Black chromate	Bright chromate	For standard receptacle	For lateral tolerance receptacle
1.3 (.05) to 1.7 (.07)	16 (.63)	7.1 (.28)	4.1 (.16)	D7-265-716-191	D7-265-716-190	D7-275-040-400	D7-275-140-400
1.8 (.07) to 2.2 (.09)	16 (.63)	7.1 (.28)	3.6 (.14)	D7-265-716-191	D7-265-716-190	D7-275-035-400	D7-275-135-400
2.3 (.09) to 2.7 (.11)	17.8 (.70)	8.9 (.35)	5.1 (.20)	D7-265-718-191	D7-265-718-190	D7-275-050-400	D7-275-150-400
2.8 (.11) to 3.2 (.12)	17.8 (.70)	8.9 (.35)	4.6 (.18)	D7-265-718-191	D7-265-718-190	D7-275-045-400	D7-275-145-400
3.3 (.13) to 3.7 (.15)	17.8 (.70)	8.9 (.35)	4.1 (.16)	D7-265-718-191	D7-265-718-190	D7-275-040-400	D7-275-140-400
3.8 (.15) to 4.2 (.17)	17.8 (.70)	8.9 (.35)	3.6 (.14)	D7-265-718-191	D7-265-718-190	D7-275-035-400	D7-275-135-400
4.3 (.17) to 4.8 (.19)	20.0 (.79)	10.9 (.43)	5.1 (.20)	D7-265-720-191	D7-265-720-190	D7-275-050-400	D7-275-150-400

Material and Finish

Steel, zinc plated and thermoplastic black

Notes

Select stud and washer part number from table based on your panel thickness **P**

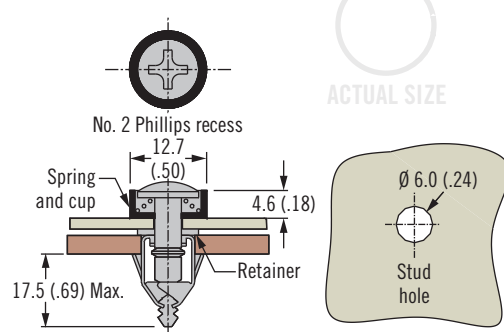
Part Number

See table

Stud, cup and spring shipped pre-assembled

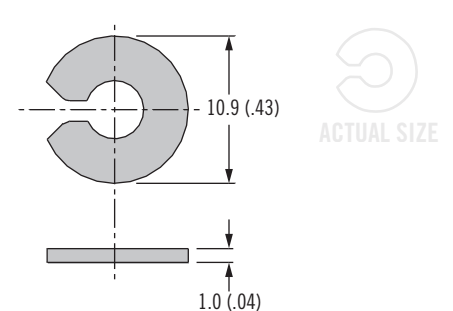
Order retainer separately

Self-Ejecting Studs



P Panel Thickness	Part Number	
	Black	Bright
0.5 - 3.0 (.02 - .12)	D7-290-718-191	D7-290-718-190
2.5 - 5.1 (.10 - .20)	D7-290-720-191	D7-290-720-190

Retainer, Plastic



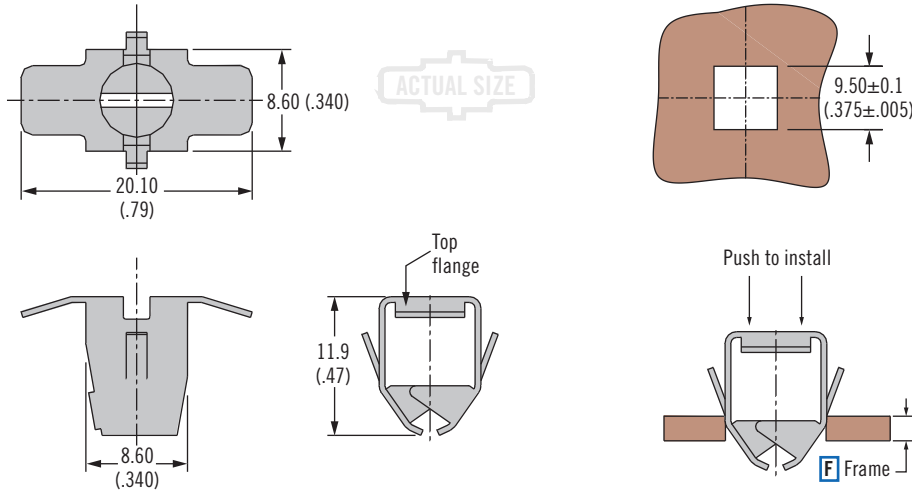
Part Number
D7-275-203-040

Dimensions in millimeters (inch) unless otherwise stated

D7 DZUS® Pilot Quarter-Turn Fasteners Receptacles



Standard



F Frame Thickness		Part Number
Min.	Max.	
0.63 (.025)	1.24 (.049)	D7-285-101-161
1.27 (.050)	1.75 (.069)	D7-285-102-161
1.78 (.070)	2.26 (.089)	D7-285-103-161

Material and Finish

Spring steel, zinc phosphate

Notes

Select receptacle based on frame thickness **F**

Part Number

See table

82

85

D8

D9

D1

D4

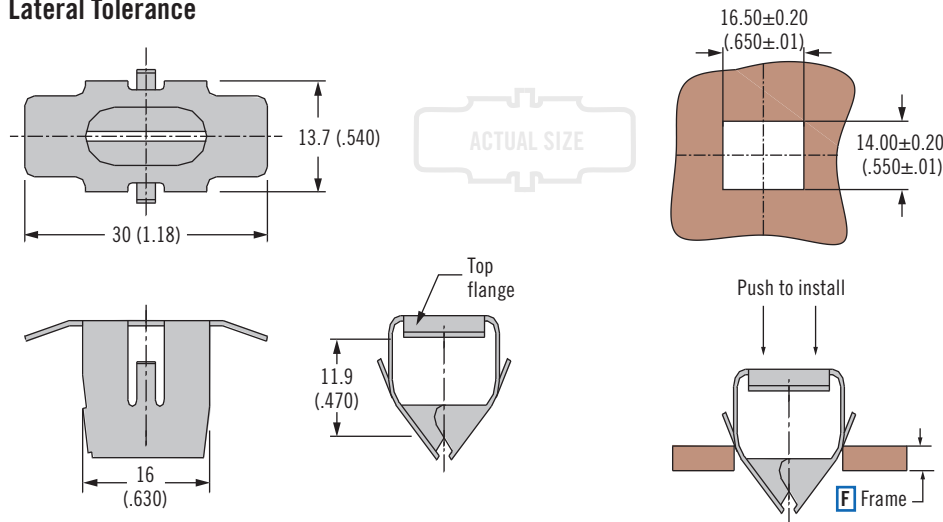
D5

D7

NY



Lateral Tolerance



F Frame Thickness		Part Number
Min.	Max.	
0.63 (.025)	1.24 (.049)	D7-285-201-161
1.27 (.050)	1.75 (.069)	D7-285-202-161
1.78 (.070)	2.26 (.089)	D7-285-203-161
2.29 (.090)	2.77 (.109)	D7-285-204-161
2.79 (.110)	3.28 (.129)	D7-285-205-161

Material and Finish

Spring steel, zinc phosphate

Notes

Select receptacle based on frame thickness **F**

Part Number

See table



D7 DZUS® Arrow Quarter-Turn Fasteners Assembly

- Surface install
- Panel mounted assembly

Material and Finish

Acetal, black

Performance Details

Flammability rating: UL94-HB

ASTM E-162 Flame spread Index:

130

D7 Arrow Installation notes

200 series:

1. Press receptacle into outer panel.
2. Press stud into receptacle.
3. Press and turn stud to latch.
4. Turn stud 90 degree to unlatch.

2001 series:

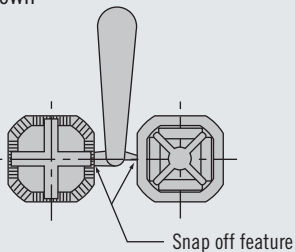
1. Separate Stud and receptacle from runner.
2. Press receptacle into outer panel.
3. Press stud into receptacle.
4. Press and turn stud to latch.
5. Turn stud 90 degree to unlatch.

Part Number

See table

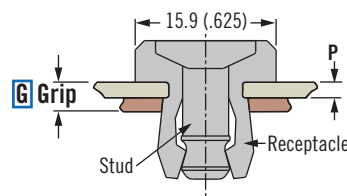
200 Series: Order one receptacle and stud from the same size separately

2001 Series: Complete assembly supplied with runner attached as shown

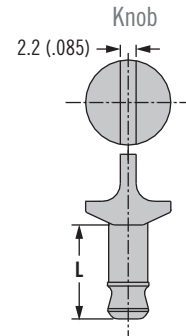
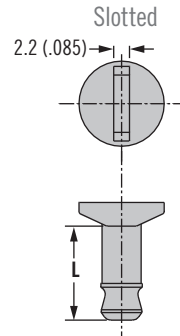
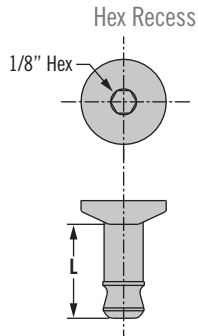
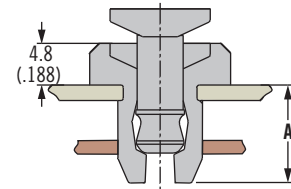


200 Series (order stud and receptacle separately)

Locked

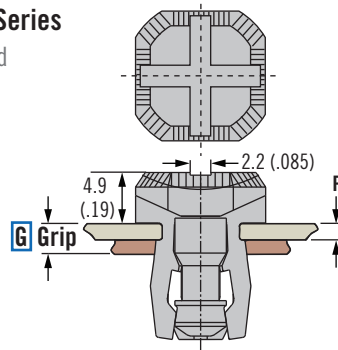


Released

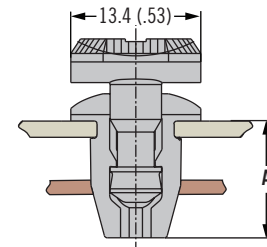


2001 Series

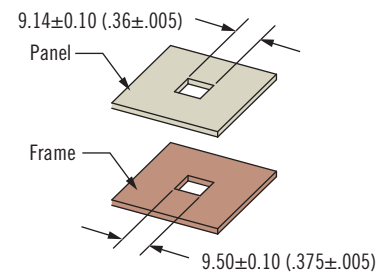
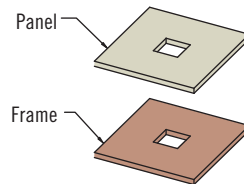
Latched



Unlatched



Installation



Series	A	Receptacle			Stud				
		P Panel Thickness		Part Number	G Grip Range		Part Number		
		Min.	Max.		Min.	Max.	Hex recess	Slotted recess	Knob
200	12.3 (.48)	0.50 (.020)	1.78 (.070)	D7-200-802-010	2.03 (.080)	5.08 (.200)	D7-200-701-010	D7-200-711-010	D7-200-721-010
	13.7 (.54)	1.80 (.071)	3.10 (.125)	D7-201-802-010	3.43 (.135)	6.35 (.250)	D7-201-701-010	D7-201-711-010	D7-201-721-010
2001	12.0 (.47)	Complete Assembly			2.5 (.098)	6.7 (.263)	D7-2001-010		

Dimensions in millimeters (inch) unless otherwise stated