



M1 Push-to-Close Latch

Pull-to-open

- Single, round-hole installation
- Flush pop out knob
- Corrosion-resistant materials

Material and Finish

PC/ABS, black, chrome plated or gold colored PVD

Performance Details

Maximum working load:
310 N (70 lbf)

Operating temperature range:
-30°C (-22°F) to 60°C (140°F)

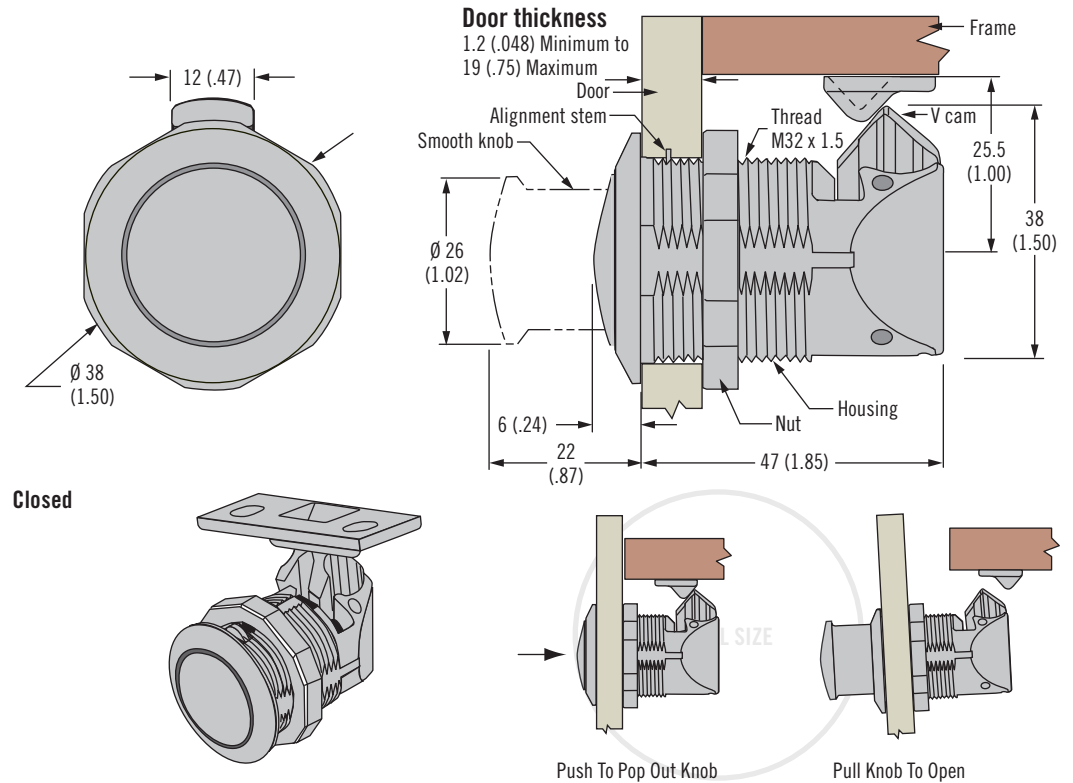
Flammability rating: UL94-HB

Installation Notes

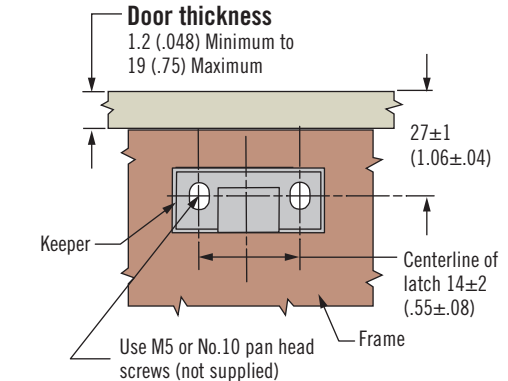
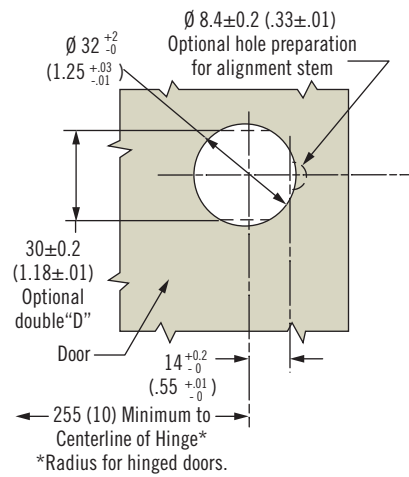
Maximum tightening torque on mounting nut:
4.2 N·m (37 in·lbf)

Accessories

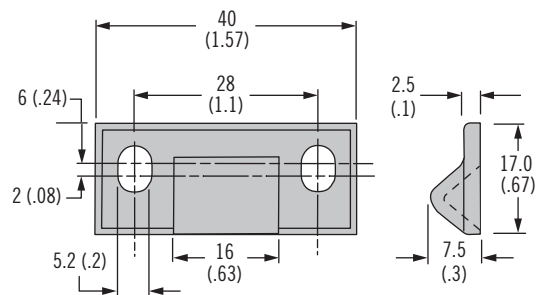
Replacement Keeper
Part number: M1-2A-9-105-41



Installation



Keeper



Part Number

See table

Finish	Part Number
Chrome	M1-2A-15-1
Black	M1-2A-15-5
Gold	M1-2A-15-8

Dimensions in millimeters (inch) unless otherwise stated

Other options available. For complete details on variety, part numbers, installation and specification, go to



www.southco.com/M1B

M1 Push-to-Close Latch

Turn-to-open



- Single, round-hole installation
- Flush pop out knob
- Corrosion-resistant materials

Material and Finish

PC/ABS, black, chrome plated or gold colored PVD

Performance Details

Maximum working load:

310 N (70 lbf)

Operating temperature range:

-30°C (-22°F) to 60°C (140°F)

Flammability rating: UL94-HB

Installation Notes

Maximum tightening torque on

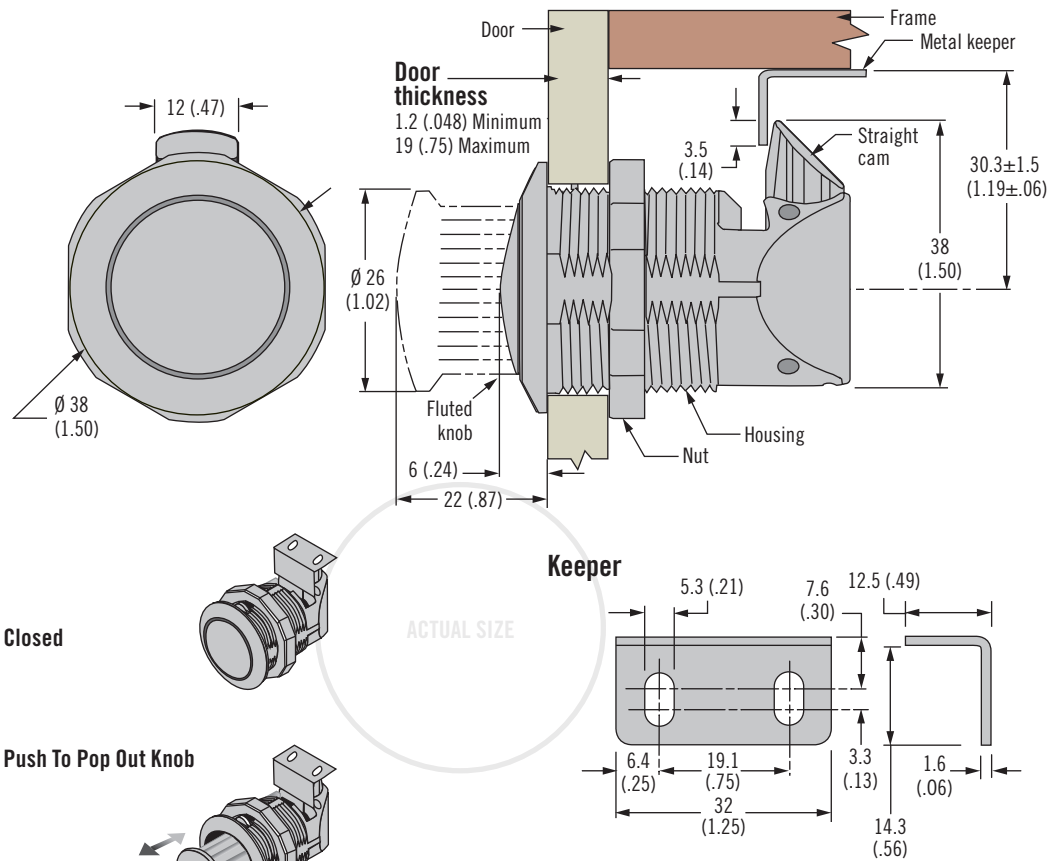
mounting nut:

4.2 N·m (37 in-lbf)

Accessories

Replacement Keeper

Part number: M1-519-4

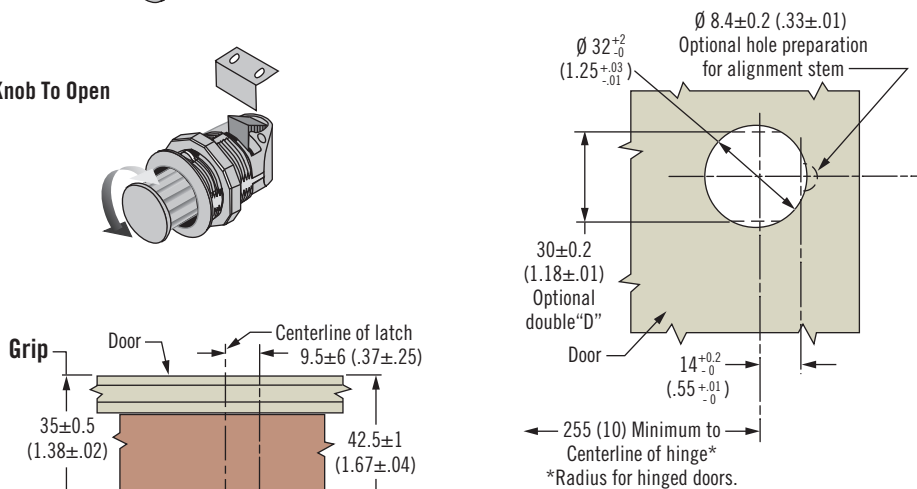


Closed

Push To Pop Out Knob

Turn Knob To Open

Installation



Finish	Part Number
Chrome	M1-2A-13-1
Black	M1-2A-13-5
Gold	M1-2A-13-8

Part Number

See table



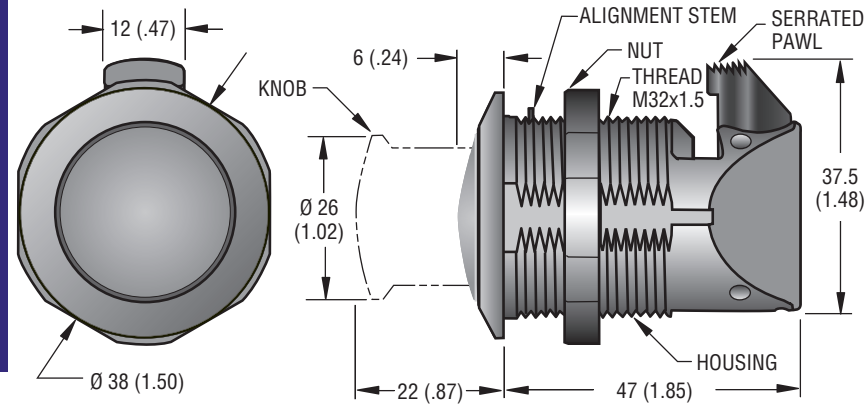
Southco® Push to Close Latch

Pop-out Knob Design

- Turn the knob to open, simply push the door to close
- Knob stores flush; pops out at a touch
- Securely latches with knob in or out
- Corrosion and UV-Resistant
- Accommodates misalignment
- Quick, round-hole installation

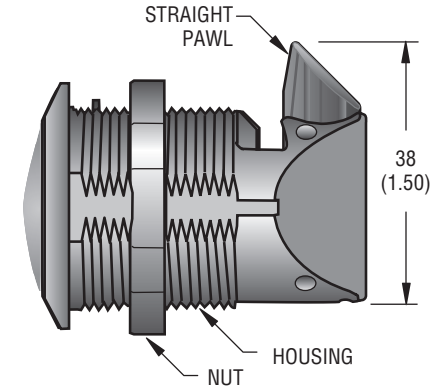
Self-adjusting Grip

- Accommodates misalignment in 3 planes



PART NUMBERS		
SELF ADJUSTING GRIP		
FINISH Knob/Housing	FLUSH-MOUNT ASSEMBLY	SURFACE-MOUNT ASSEMBLY
Chrome/Chrome	M1-2A-12-1 •	M1-2A-11-1 •
Black/Black	M1-2A-12-5 •	M1-2A-11-5 •
Gold/Gold	M1-2A-12-8 •	M1-2A-11-8 •

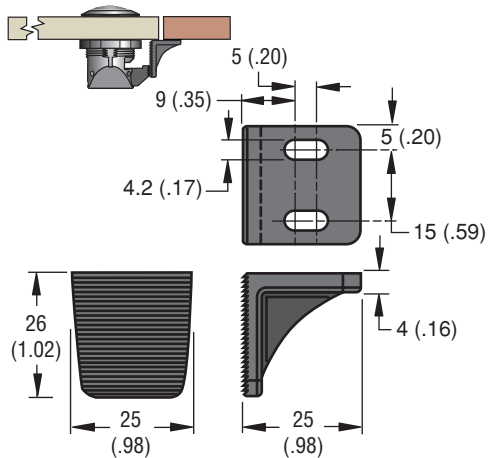
Fixed Grip



PART NUMBER	
FINISH Knob/Housing	FIXED-GRIP ASSEMBLY
Chrome/Chrome	M1-2A-13-1 •
Black/Black	M1-2A-13-5 •
Gold/Gold	M1-2A-13-8 •

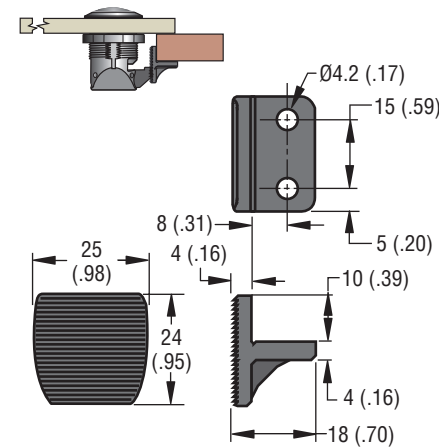
Flush-mount Keeper

For Flush Door/Frame Configurations



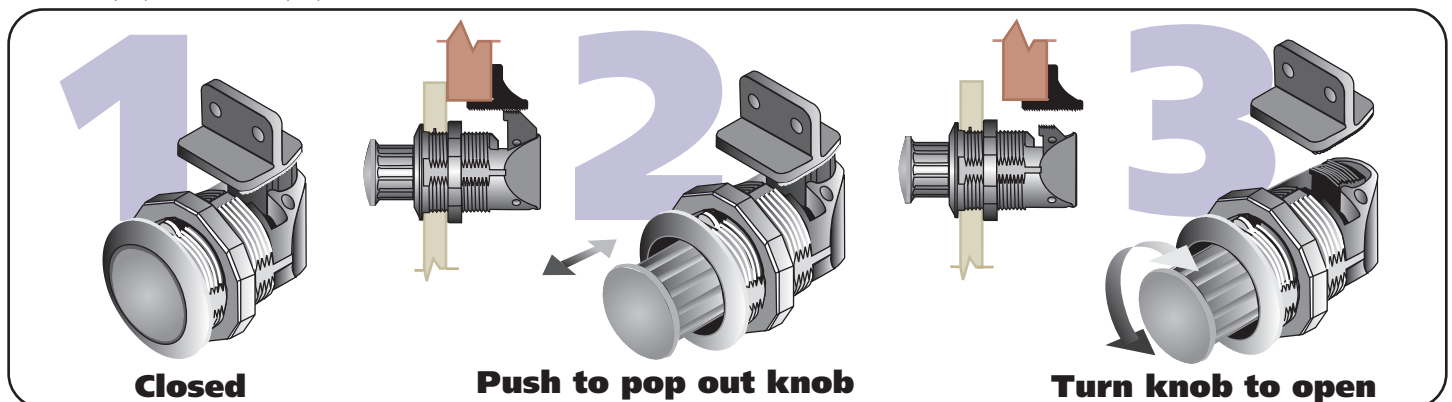
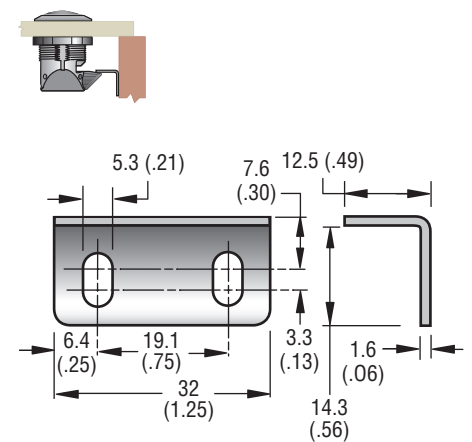
Surface-mount Keeper

For Overlapping Doors



Metal Keeper

Can be used for Perpendicular Door/Frame Configurations



Push to Close Latches Visible