

CABIN & COCKPIT ENTRY HARDWARE

MC Compact Cabin Door Lock

A



DOOR THICKNESS RANGE: 19 - 32mm (3/4" - 1-1/4")

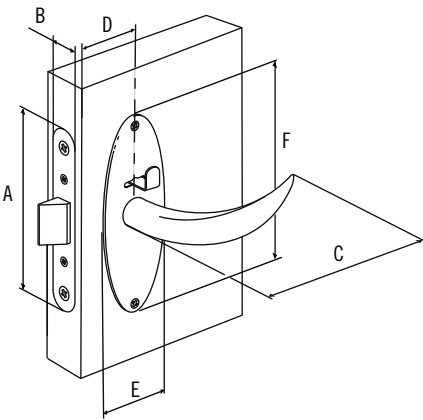
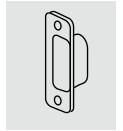
The Compact features a simple yet graceful design that works with all swing-door variations. The Compact is designed for Cabin, Stateroom, and Head-door applications.

- All marine-grade materials, including stainless steel and brass for superior corrosion resistance
- Emergency lock override
- Easy installation with rounded forends
- One part number for all swing-door variations

Available Options:

- Finish: Options include: Chrome with/without Brass accent, Satin
- Escutcheon Plates: "Long Island"
- Operation: Universal design fits all door swings
- Accessories
- Doorkeeper: Used to hold door open

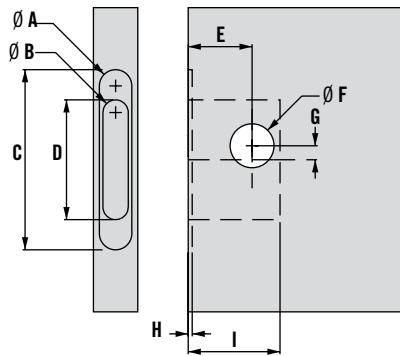
For strikers see page 23



F = Long Island

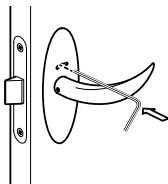
	Imperial		Metric
	Nominal	Decimal	
A	3 9/16	3.55	90
B	5/8	.63	16
C	3 5/16	3.31	84
D	1 1/4	1.26	32
E	1 3/8	1.38	35
F	3 13/16	3.82	97

Panel Preparation



	Compact Long Island		
	Imperial		Metric
	Nominal	Decimal	
A	5/8	.64	16
B	1/2	.50	13
C	3 9/16	3.553	90
D	2 3/8	2.362	60
E	1 17/64	1.26	32
F	7/8	.866	22
G	9/32	.276	7
H	5/64	.079	2
I	1 13/16	1.811	46

How to override a locked Compact door lock from the outside



For installation details see opposite page.

COMPACT PART NUMBERS						
Escutcheon Plate Finish	Privacy	Out	In	Left	Right	
Long Island, chrome	X	X	X	X	X	MC-01-120-10
Long Island, chrome, brass accent	X	X	X	X	X	MC-01-120-14
Long Island, satin	X	X	X	X	X	MC-01-120-20
Long Island, cast chrome,	X	X	X	X	X	MC-02-120-10



CABIN & COCKPIT ENTRY HARDWARE Doorkeeper

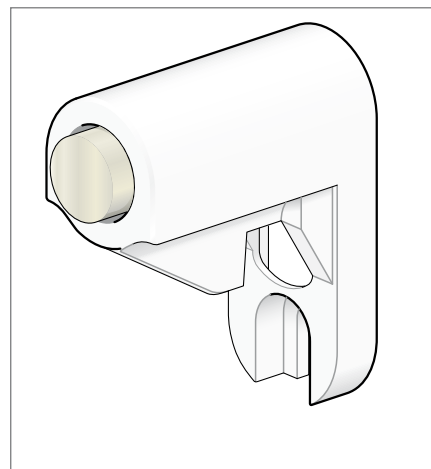
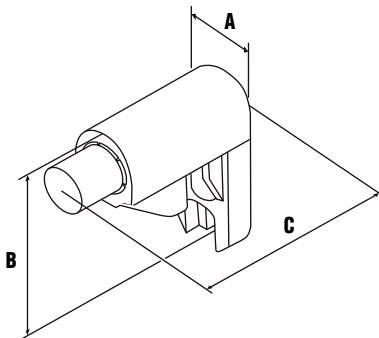
The Doorkeeper stops and holds doors open. They are designed to work with the McCoy, Offshore and Compact latches (see pages 12-15 and opposite).

- All Marine-grade ABS materials
- Damping/non-vibration feature keeps doors from rattling when held open
- Easy to install

Available Options:

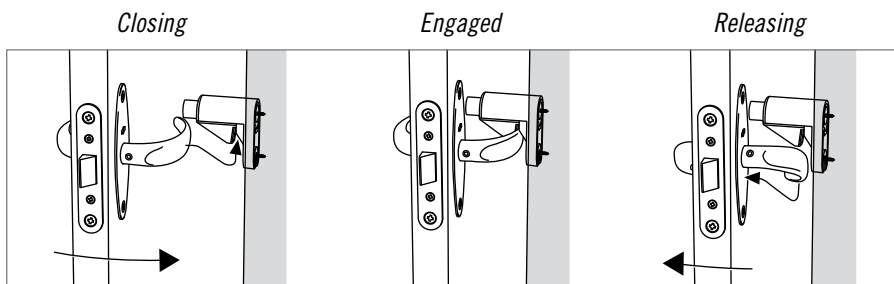
- Color: Available in black or white.

	Imperial		Metric
	Nominal	Decimal	
A	13/16	.787	20
B	1 7/8	1.898	48
C Offshore	1 15/16	1.913	49
C Compact	2 3/16	2.189	56



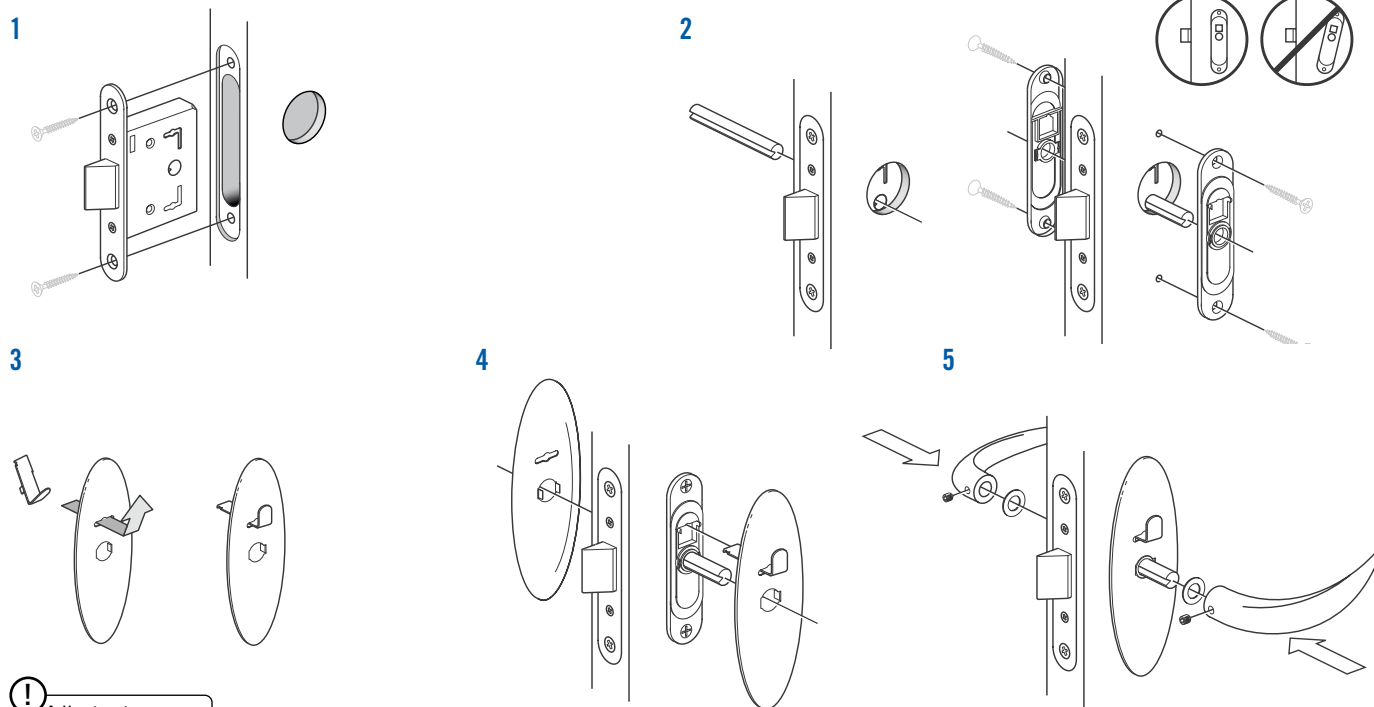
A

Operation



DOORKEEPER PART NUMBERS	
Offshore, Black	MC-91-102-50
Offshore, White	MC-91-102-70
Compact, Black	MC-91-101-50
Compact, White	MC-91-101-70

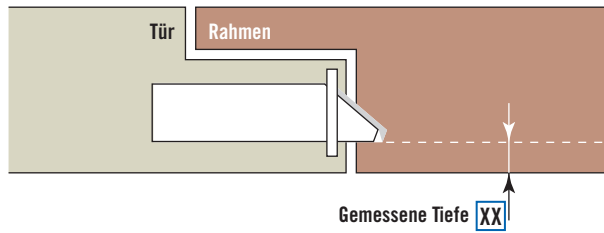
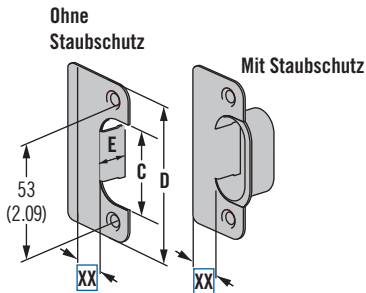
MC Compact Installation



! Adjust set screw to secure handle



MC Türschlossdorn



C		D		E	
Metrisch	Imperial	Metrisch	Imperial	Metrisch	Imperial
36	1 7/16	68	2 11/16	13	1/2

Um den richtigen Türschlossdorn für Ihre Anwendung zu finden, messen Sie die Entfernung zwischen der Türfront bis zur Kante der Sperrfalle des Verschlusses

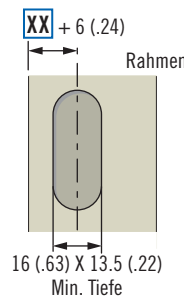
Bestimmen der Produktnummer

MC - 90 - Z XX - FF

Z Staubschutz-Option
 1 Ohne Staubschutz
 2 Mit Staubschutz

XX Position
 03 3mm (7/64")
 05 5mm (3/16")
 07 7mm (1/4")
 09 9mm (3/8")
 13 13mm (1/2")
 16 16mm (5/8")
 21 21mm (7/8")

FF Oberfläche
 10 Vernickelt
 24 Edelstahl



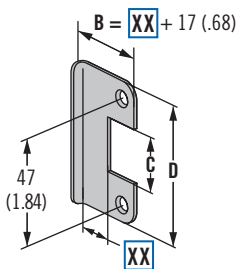
- In sieben verschiedenen Größen verfügbar
- Geeignet für Offshore-, McCoy-, Compact- und Omni-Pendeltürschlösser und für viele Tür- und Rahmenkonfigurationen und Türblattstärken
- Ein optionaler Staubschutz versteckt Sägespäne in der ausgeschnittenen Öffnungen und stellt eine elegante Oberfläche für die Rahmenkante dar

Weitere Optionen erhältlich. Ausführliche Daten, Montageanleitungen und Produktnummern unter



www.southco.com/MC

MC Pendeltürschloss „Whale“-Türschlossdorn



C		D	
Metrisch	Imperial	Metrisch	Imperial
60	2 3/8	22	7/8

- Geeignet für Offshore-, McCoy- and Compact-Pendeltürschlösser
- Schnelle und einfache Installation

Bestimmen der Produktnummer

MC - 90 - 3 - XX - FF

XX Position
 03 3mm (7/64")
 05 5mm (3/16")
 07 7mm (1/4")
 09 9mm (3/8")
 13 13mm (1/2")
 16 16mm (5/8")
 21 21mm (7/8")

FF Oberfläche
 10 Vernickelt
 40 Messing

Weitere Optionen erhältlich. Ausführliche Daten, Montageanleitungen und Produktnummern unter



www.southco.com/MC