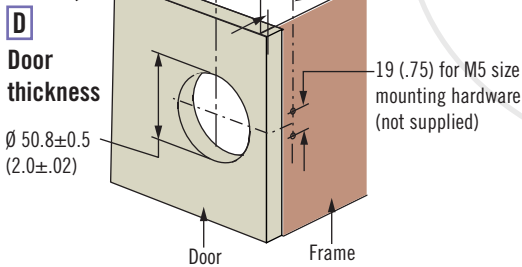
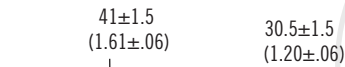
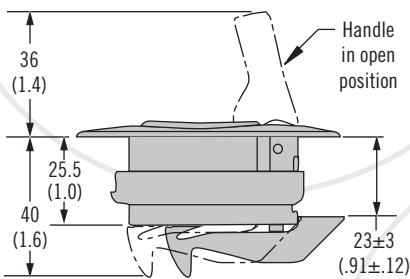
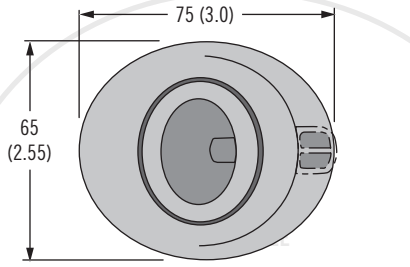


MP Push-to-Close Latch

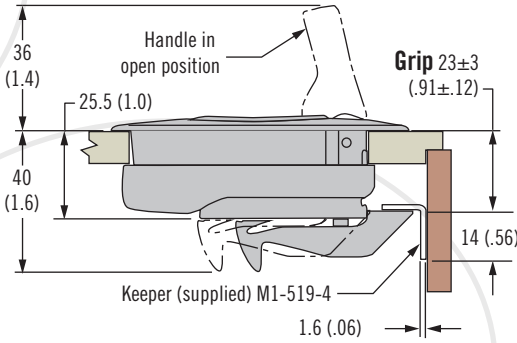
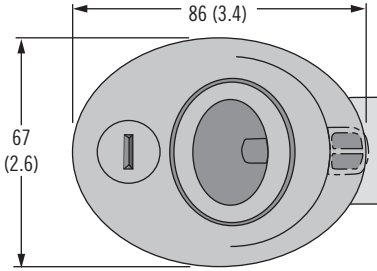
50mm (2") size · Plastic



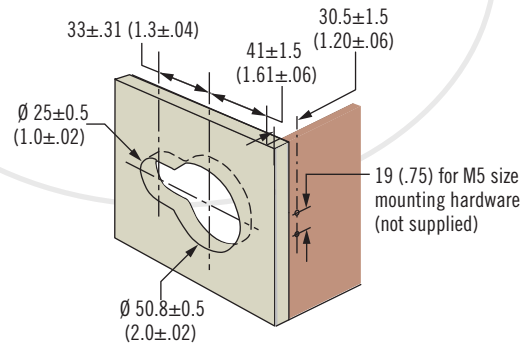
Non-Locking



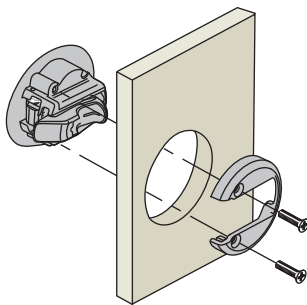
Locking



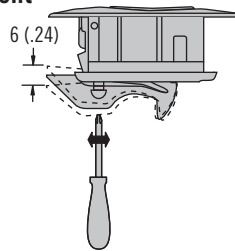
ACTUAL SIZE



Installation



Grip Adjustment



- Adjustable Grip
- Round-hole installation
- Inside actuation when locked or unlocked

Material and Finish

Housing cover, cup and handle: Stainless steel 316 grade, electropolished

Housing: PC/PBT blend, black or white

Performance Details

Max. working load: 270 N (60 lbf)

Operating temperature range: -18°C (0°F) to 60°C (140°F)

Flammability rating: UL94-HB

Installation Notes

Max. tightening torque on mounting screws (supplied): 1.7 N·m (15 in·lbf)

Accessories

Keeper

Part number: M1-519-4

Key 948 (pair)

Part number: MF-97-948-41



Replacement mounting screw

Part number: MP-520-28-4

Part Number Selection

MP - 03 - 1 L D - F 0

- L** Lock style
 - 0 Non-locking
 - 1 Key-locking keyed alike 948 (2 keys supplied)
- D** Door thickness
 - 0 10 - 16 (.39 - .63)
 - 1 16 - 22 (.63 - .87)
- F** Finish
 - 00 316 Stainless cover over black housing
 - 55 Black housing
 - 77 White housing