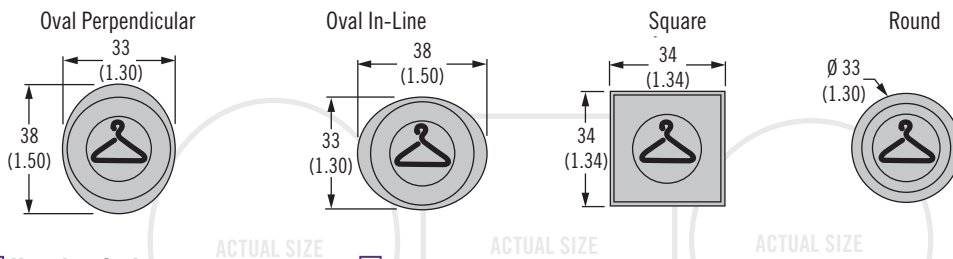


# MP Point Coat Hook

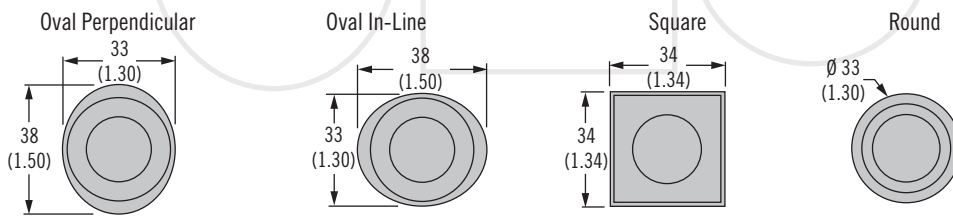
## Pop-up hook



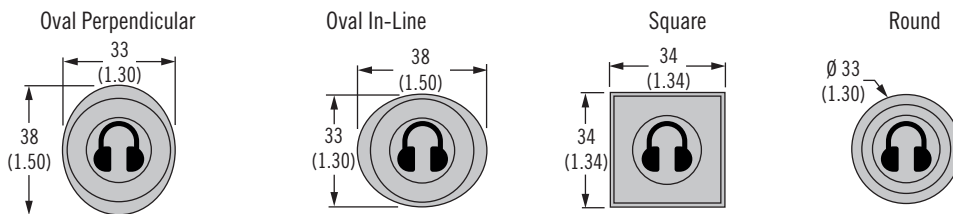
### H Housing Style (with hanger image, I = 2)



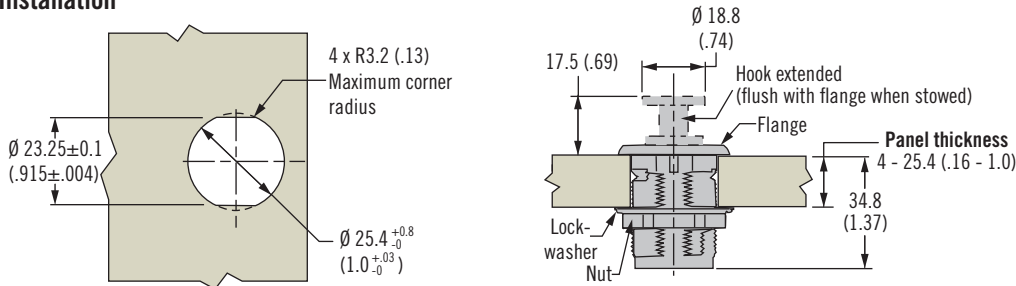
### H Housing Style (without hanger image, I = 3)



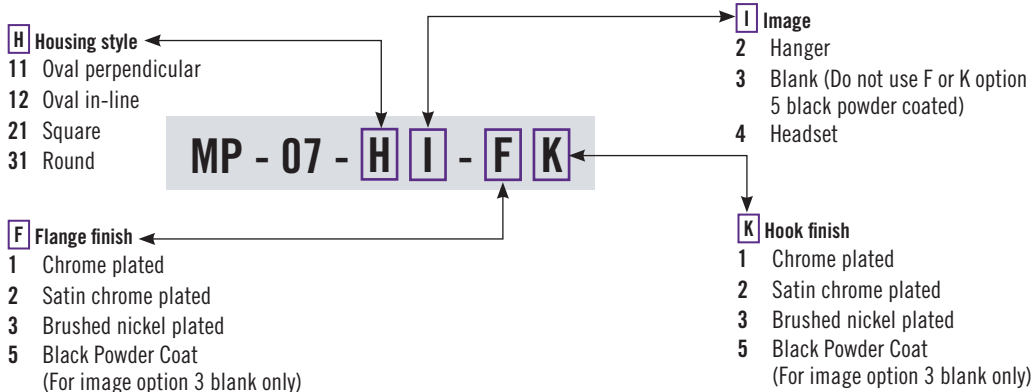
### H Housing Style (with headset image, I = 4)



### Installation



### Part Number Selection



- Flush pop out hook
- Single, round hole installation
- Corrosion-resistant materials

### Material and Finish

Housing: Glass-filled nylon

Flange and hook: Zinc alloy, plated

### Installation Notes

Maximum tightening torque on mounting nut: 4.5 N·m (40 in·lbf)