



P7 CompactPCI® Inject / Eject Mechanism Ejectors

- Ergonomic design for easy operation
- Button protected to prevent accidental operation
- Button disengages microswitch prior to rotation of ejector handle
- Optional integrated microswitch

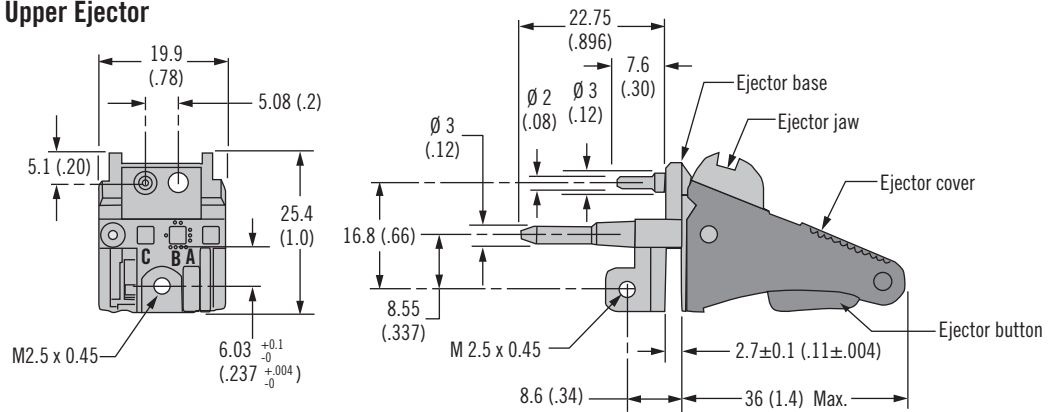
Material and Finish

Ejector base and jaws:
Zinc alloy, nickel plated
Ejector cover: PC/ABS black
Ejector button: PC/ABS red
Torsion spring: Stainless steel
Pin and faceplate mounting screws:
Steel, zinc plated

Performance Details

Flammability rating: UL94-V0
CompactPCI is a registered trademark of PICMG® - PCI Industrial Computer Manufacturers Group, Inc.

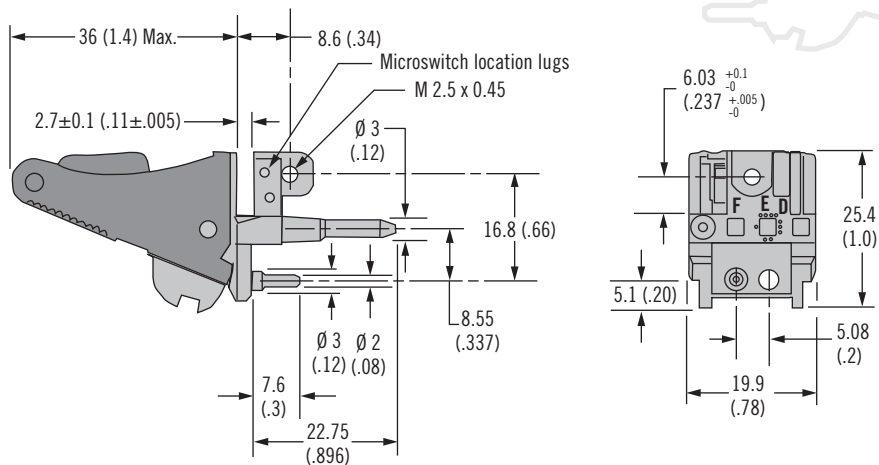
Upper Ejector



Part Number

P7-1-981-10

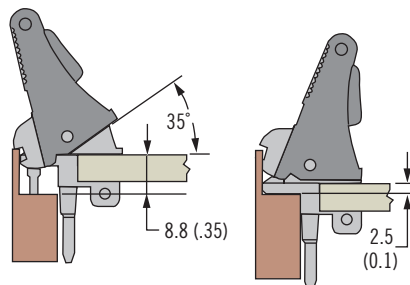
Lower Ejector (for use with microswitch)



Part Number

P7-1-991-10

Faceplate Travel

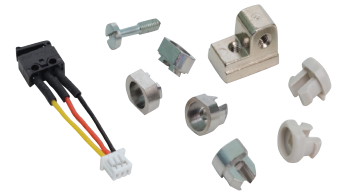


Note: 6.3 (0.24) total travel

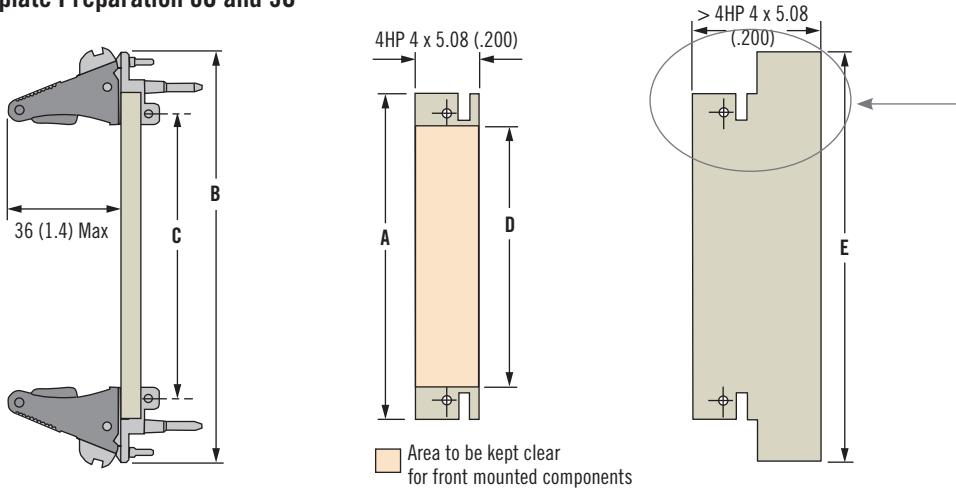
Dimensions in millimeters (inch) unless otherwise stated

P7 CompactPCI® Inject / Eject Mechanism

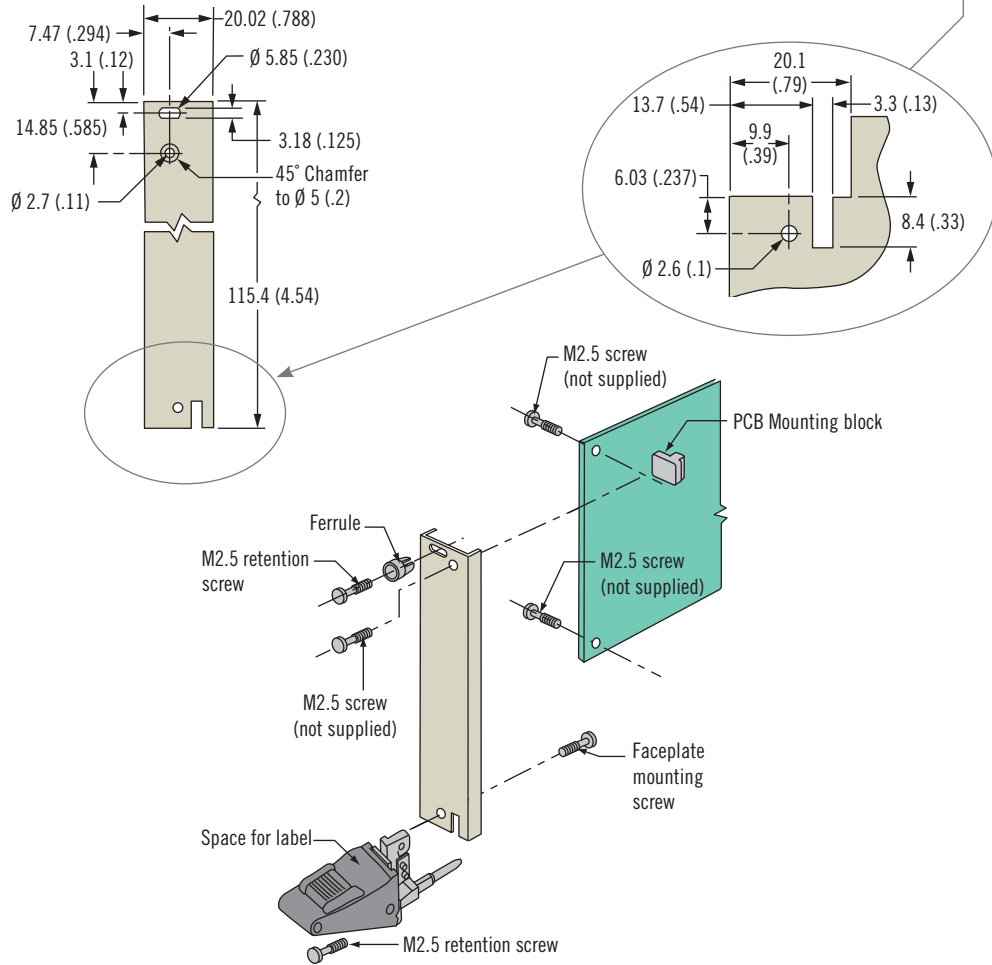
Faceplate mounting hardware accessories



Faceplate Preparation 6U and 9U



3U



Microswitch assembly:

Attaches to ejector, allows for hot swap

Part number: P7-0-46720



M2.5 Retention screw:

Used with ferrules and ejectors

Material and finish: Steel, plated

Part number: P7-0-45297



3U Hardware

Captivates M2.5 screw on faceplate

Snap-in ferrule:

Faceplate thickness

1.6 - 2.5 (.063 - .098)

Material and finish: ABS

Part number: P7-0-45227



Press-in ferrule:

Faceplate thickness

1.5 - 2.4 (.059 - .094)

Material and finish: Steel, plated

Part number: P7-0-45302



Press-in ferrule flush:

Minimum panel thickness 0.9 (.035)

Material and finish: Steel, plated

Part number: P7-0-45244



PCB Mounting block:

Used to mount PCB in place of ejector

Material and finish: Zinc alloy, plated

Part number: P7-0-45234



Notes

All panel preparation tolerances ±0.1 (.004)

Style	A	B	C	D	E
6U	235.4 (9.27)	255.85 (10.073)	222.25 (8.750)	214.65 (8.451)	262.05 (10.317)
9U	368.75 (14.518)	389.2 (15.323)	355.6 (14.00)	348 (13.701)	395.4 (15.567)

CompactPCI is a registered trademark of PICMG® - PCI Industrial Computer Manufacturers Group, Inc.

Dimensions in millimeters (inch) unless otherwise stated