

# P9 Grab Handle

## Folding · Surface mount



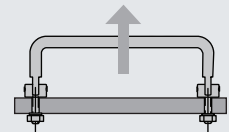
- Low profile folding style
- Concealed installation
- Anti-rattle friction feature

### Material and Finish

Handle and base:  
Aluminum, anodized, clear or black  
Roll pin, mounting nuts and lockwashers:  
Stainless steel passivated  
Bushing: Nylon

### Performance Details

Maximum static load:  
Internal threaded version  
600 N (135 lbf)  
External thread version  
400 N (90 lbf)



### Installation Notes

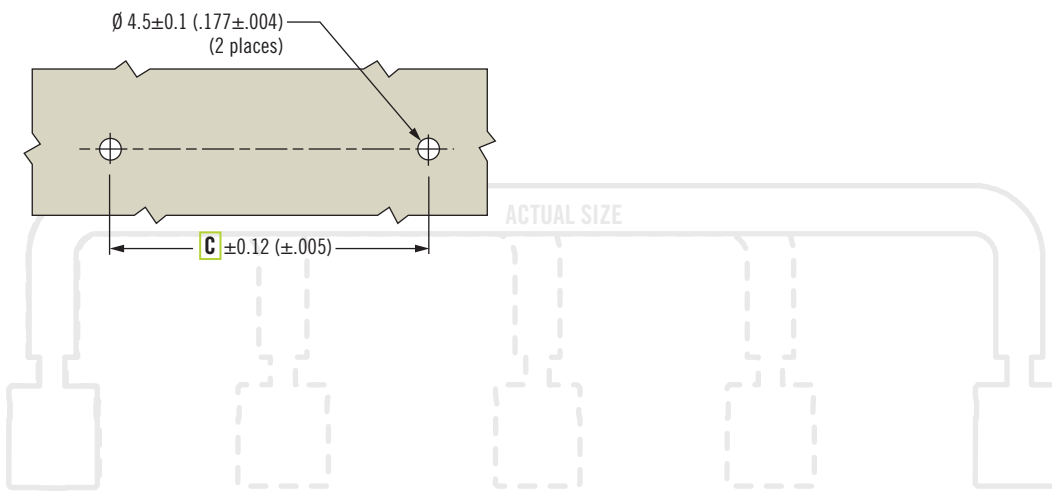
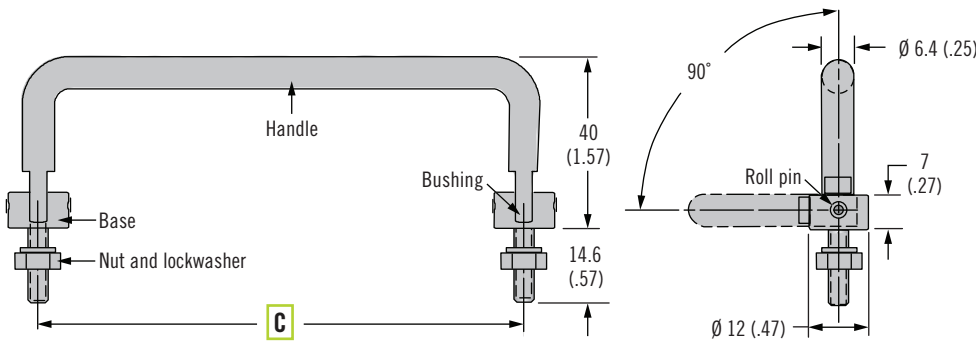
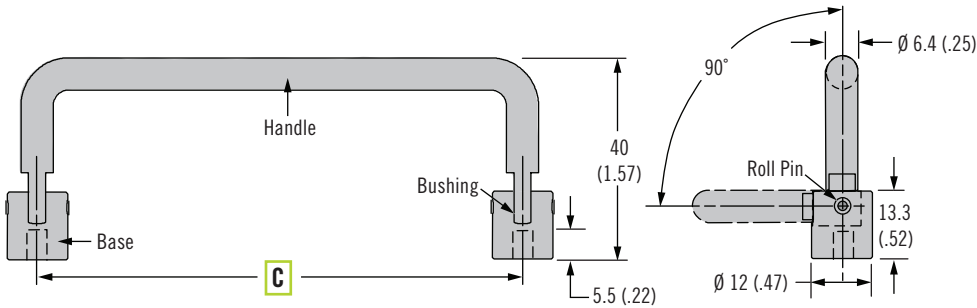
Internal thread:  
Screws not supplied.  
Calculate screw length using the following formula:  
Door thickness + 5 (.20)  
Maximum tightening torque of mounting screws: 1.7 N·m (15 in·lbf)  
External thread:  
Maximum door thickness 8.4 (.33)  
Mounting nuts supplied.  
Maximum tightening torque of nuts: 11.5 N·m (10 in·lbf)

### Part Number Selection

For visual identification:  
M4 products have a counterbored hole.  
8-32 products have a countersunk hole

Other options available. For complete details on variety, part numbers, installation and specification, go to

**INFO CLIC** [www.southco.com/P9](http://www.southco.com/P9)



**P9 - C - 40 - T B - 1 F - P**

#### C Centers

- 040 40 (1.57) Hole centers
- 064 64 (2.52) Hole centers
- 096 96 (3.78) Hole centers
- 128 128 (5.04) Hole centers

#### T Thread

- 08 Imperial 8-32
- M4 Metric M4 x 0.7

#### B Base type

- N Internal thread
- X External thread

#### P Packing option

- Omit for individual packaging (1 per bag)
- 3 Layer packaging contact Southco

#### F Finish

- 1 Clear anodized
- 5 Black anodized