



V7 Draw Latch

Over-center · Stainless steel

- Sleek, smooth low profile design
- Locking and non-locking
- Robust, riveted, tamper-resistant construction

Material and Finish

316 Grade stainless steel electropolished

Performance Details

Maximum working load: 1200 N (270 lbf)

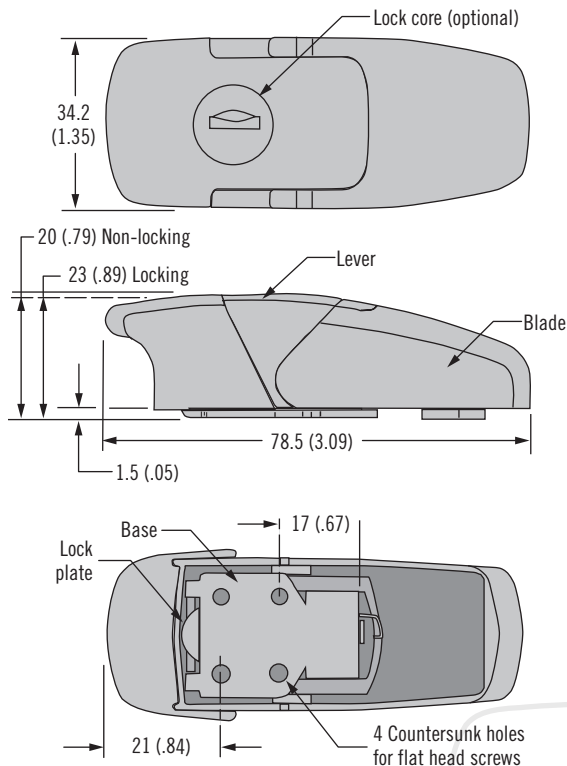
Installation Notes

Install latch with four M3 (No.4) flat head screws and keeper with two M3 (No.4) round head screws (not supplied)

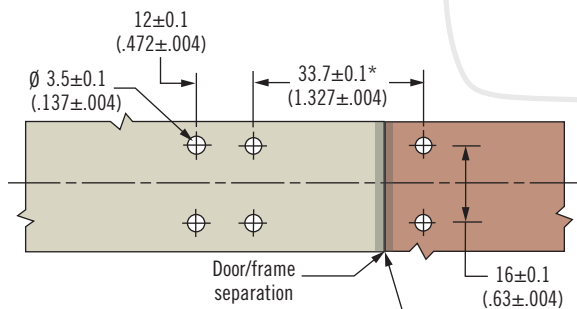
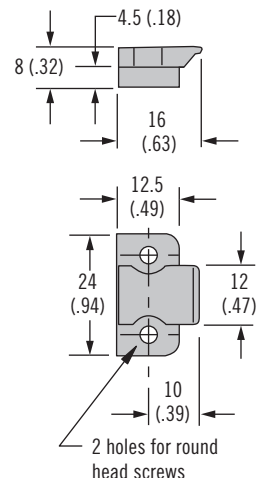
Keys

Overmolded key S008 (pair)
Part number: M1-525-39-S008

Latch



Keeper



*Gasket recommended to accommodate panel variations

Part Number

See table

Assembly complete with keeper

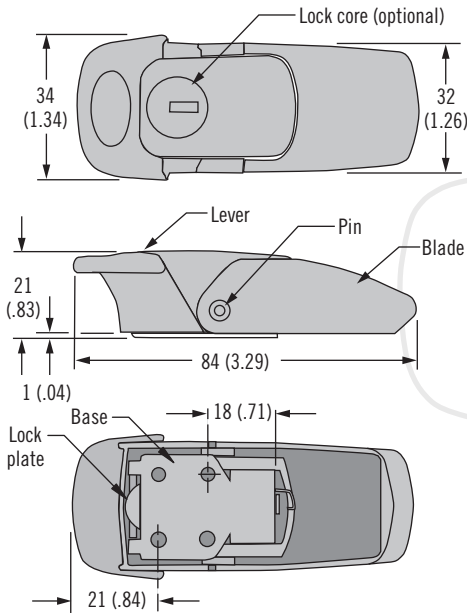
Description	Part Number
Non-locking	V7-20-101-24
Locking keyed alike key code S008 (2 keys supplied)	V7-20-111-24

V7 Draw Latch

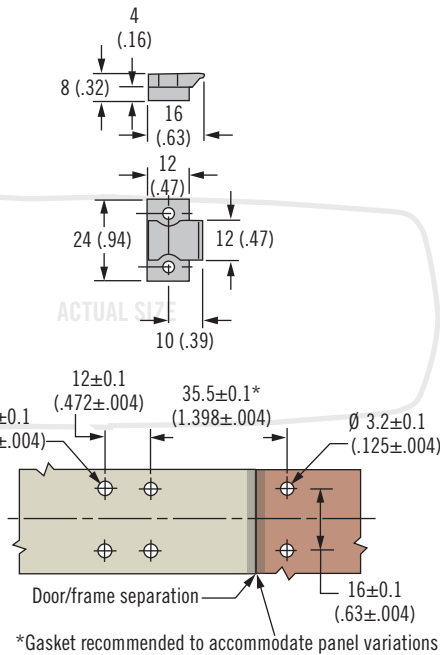
Over-center · Zinc alloy



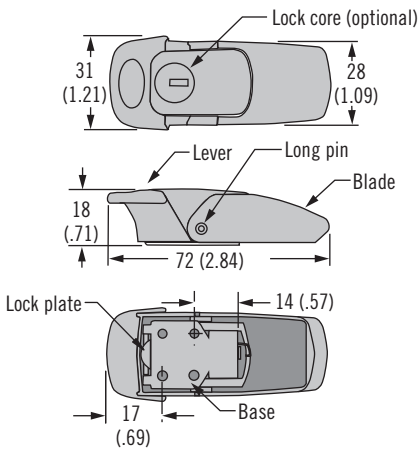
Latch Large



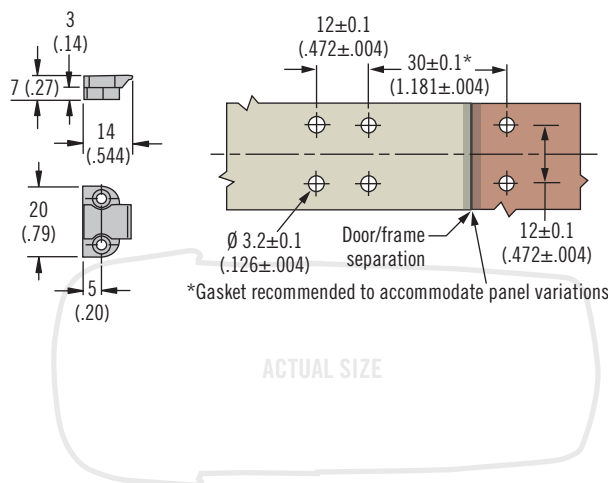
Keeper



Latch Small



Keeper



- Sleek, smooth low profile design
- Locking and non-locking
- Robust, riveted, tamper-resistant construction

Material and Finish

Zinc alloy, chrome plated or powder coated and stainless steel

Performance Details

Maximum working load:
1200 N (270 lbf)

Installation Notes

Install latch with four M3 (No.4) flat head screws and keeper with two M3 (No.4) round head screws (not supplied)

Keys

Key code S010 (pair)
Part number: V7-KEYS

Description	Part Number		
	Bright Chrome	Satin Chrome	Black Powder Coated
Small, non-locking	V7-10-105-10	V7-10-105-20	V7-10-105-50
Small, locking (2 keys supplied)	V7-10-115-10	V7-10-115-20	V7-10-115-50
Large, non-locking	V7-20-101-10	V7-20-101-20	V7-20-101-50
Large, locking (2 keys supplied)	V7-20-111-10	V7-20-111-20	V7-20-111-50

Part Number

See table
Assembly complete with keeper

