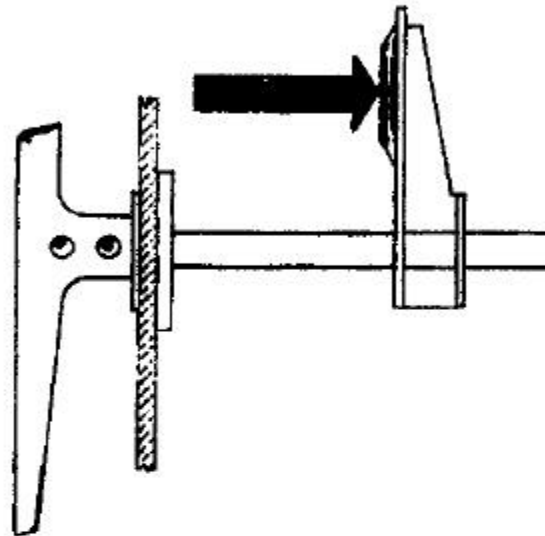


P.S.	DATE	APP
A		
B		
C		
D		

General Performance Guidelines

The information shown on this page was determined under one set of test conditions and is supplied as a general guide only, as conditions vary with each application. Strength data given is for failure of the product or for sufficient deformation to make the product inoperable. No safety factor has been applied. It is recommended that the user test the product for his particular application.



N-G1 CABINET LATCH

FASTENER YIELDED WHEN A LOAD OF 25 LBS. WAS APPLIED IN THE DIRECTION OF THE ARROW.

