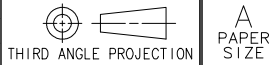
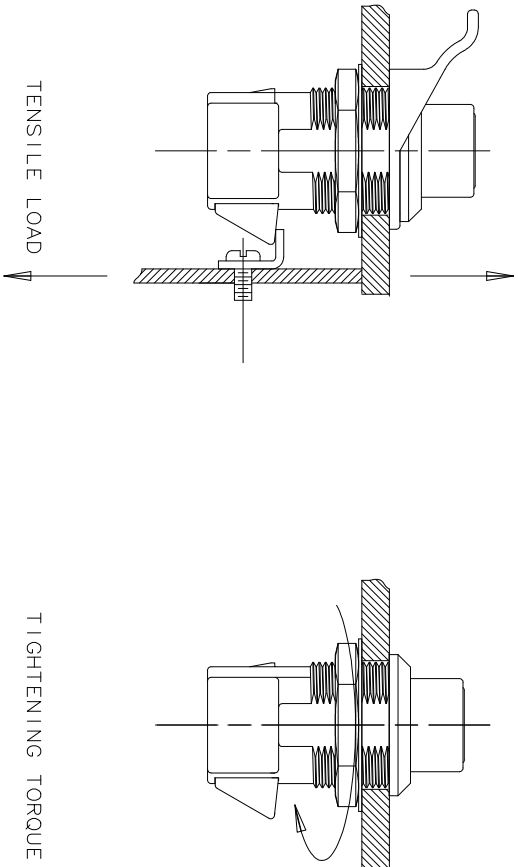


REV	DATE	DRAWN/CHKD	DESCRIPTION
E	09APR2002	GDM	UPDATE FORMAT



SOUTHCO PERFORMANCE GUIDELINES AS A GENERAL GUIDE ONLY. AS CONDITIONS VARY WITH EACH APPLICATION AND METHOD OF INSTALLATION, STRENGTH DATA GIVEN IS FOR FAILURE OF THE PRODUCT OR FOR SUFFICIENT DEFORMATION TO MAKE PRODUCT INOPERABLE. NO SAFETY FACTOR HAS BEEN APPLIED IT IS RECOMMENDED THAT THE USER REQUEST A PRODUCT SAMPLE FOR TESTING TO DETERMINE THE SUITABILITY OF THE PRODUCT FOR THE PURPOSE INTENDED AND USER'S PARTICULAR APPLICATION.



PART NO.	TENSILE LOAD		MAX. RECOMMENDED TORQUE ON MOUNTING NUT
	MAXIMUM WORKING LOAD	ULTIMATE LOAD	
93-3XX	530 N / 120 LBS	690 N / 155 LBS ^①	7.9 N _m / 70 IN-LBS ^②

WORKING LOAD is the maximum load the product withstands without affecting operation or appearance of the product at room temperature.

ULTIMATE LOAD causes failure of the product or sufficient deformation to make the product inoperable at room temperature.

- Average tested cycle life of the push-button latch assembly was in excess of 15,000 cycles.
 - Average tested cycle life of the ejector spring was in excess of 15,000 cycles.
 - Tested working temperature range of latch: -20°C/0°F to 65°C/150°F
- ① Pawl broke through the end of housing.
 - ② Failure occurred when the threads of the nut deformed, and "popped" off housing.