

6

5

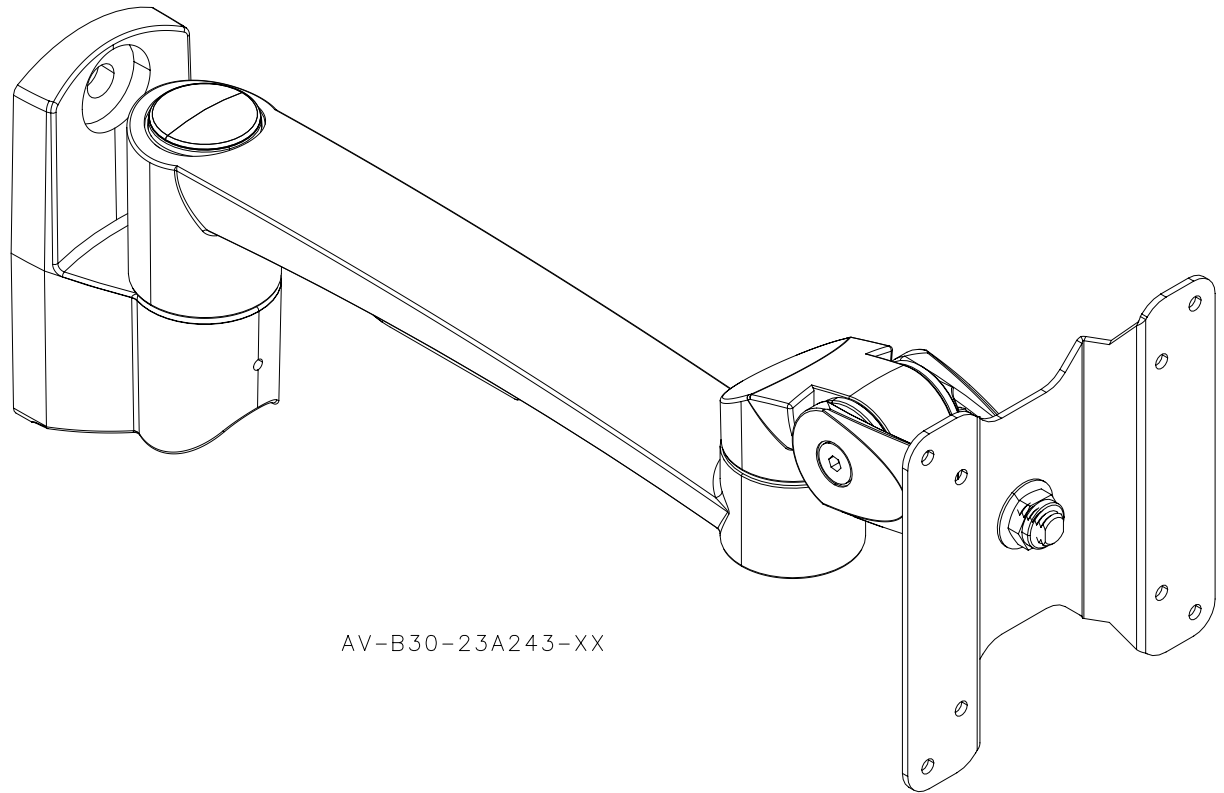
4

3

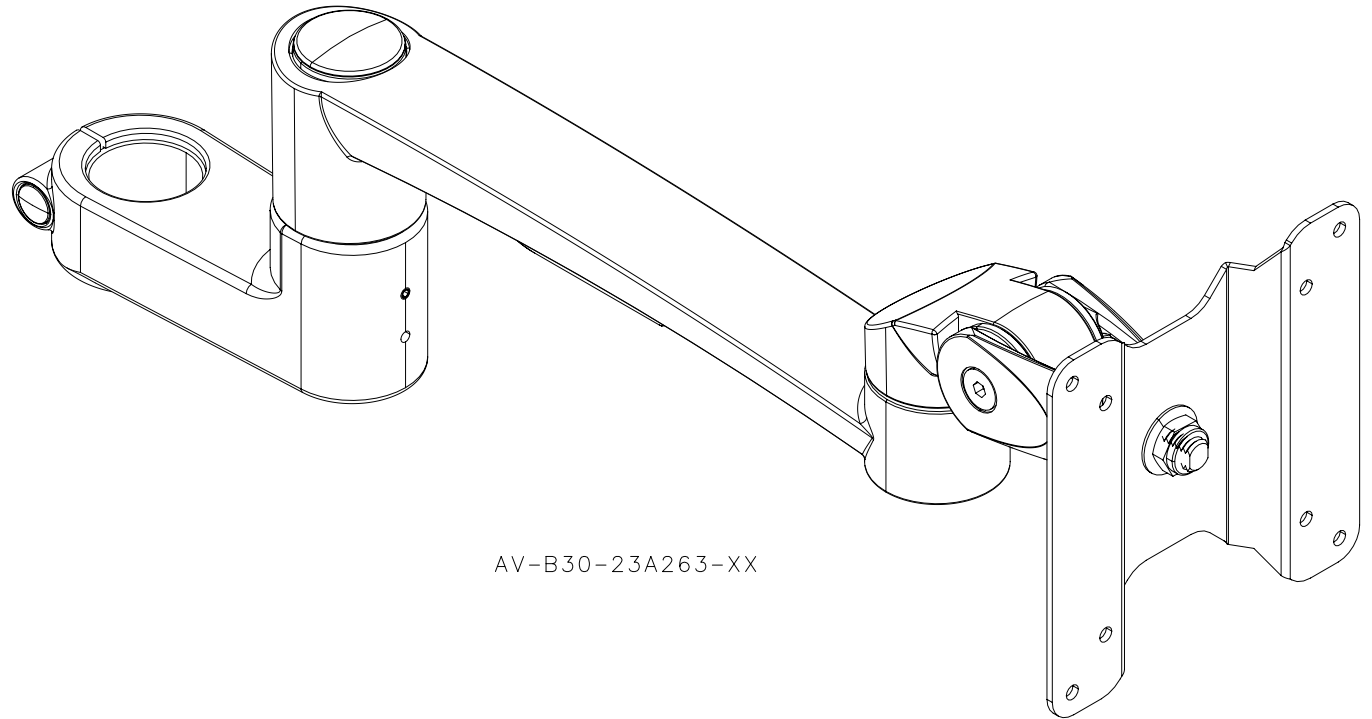
2

1

REVISION HISTORY			
REV	DATE	BY	DESCRIPTION
B	22SEP2020	CRM/DMS	PRN: P2020-1779



AV-B30-23A243-XX



AV-B30-23A263-XX

NOTES:

- TEST DATA FROM SOUTHCO TEST REPORT trAV-40512 AND trAV-43363. LOAD TESTS WERE PRIMARILY CONDUCTED WITH WALL MOUNT VERSIONS. ULTIMATE LOAD TESTING WAS CONDUCTED WITH FORCE APPLIED AT MOUNTING PLATE.

PART NUMBERS	SWIVEL TORQUE Nm (lbf*in)	ARM PIVOT TORQUE Nm (lbf*in)	MAX DISPLAY WEIGHT Kg (lb)	AVERAGE ULTIMATE LOAD N (lbf)
AV-B30-23A243-XX	ADJUSTABLE BY TOOL	ADJUSTABLE BY TOOL	14 (31)	920 (206)
AV-B30-23A263-XX				

THIRD ANGLE PROJECTION		<b>southco</b> <sup>®</sup> CONNECT • CREATE • INNOVATE	
MILLIMETERS [IN]			
TOLERANCES UNLESS OTHERWISE NOTED		DESCRIPTION	
UP TO 0.5 ±0.05		HINGE & CONTROLLED MOTION DEVICE	
OVER 0.5 UP TO 6 ±0.1		SINGLE ARM	
OVER 6 UP TO 30 ±0.2		SIZE	DWG NO.
OVER 30 ±0.3		B	NX
ANGLES ±1°		TD-AV-B30-23A-J	
PER ASME Y14.5M-1994		DRAWN BY	SCALE
		SKB	1:3
		DATE	SHEET
		29JAN2020	1 OF 1

6

5

4

3

2

1