

SOUTHCO PERFORMANCE GUIDELINES:

THE PERFORMANCE GUIDELINES SHOWN ON THIS PAGE ARE SUPPLIED AS A GENERAL GUIDE ONLY, AS CONDITIONS VARY WITH THE APPLICATION AND METHOD OF INSTALLATION. STRENGTH DATA GIVEN IS FOR FAILURE OF THE PRODUCT OR FOR SUFFICIENT DEFORMATION TO MAKE PRODUCT INOPERABLE. NO SAFETY FACTOR HAS BEEN APPLIED - IT IS RECOMMENDED THAT THE USER REQUEST A PRODUCT SAMPLE FOR TESTING TO DETERMINE THE SUITABILITY OF THE PRODUCT FOR THE PURPOSE INTENDED AND USERS PARTICULAR APPLICATION.

COMPRESSIVE STRENGTH

MAXIMUM WORKING LOAD: 535N (120lbf)  
AVERAGE ULTIMATE LOAD: 1440N (325lbf)

MAXIMUM INSTALLATION TORQUE

MOUNTING NUT (M22): 20Nm (177 lbf-in)  
MOUNTING NUT (M10): 20Nm (177 lbf-in)

MAXIMUM DYNAMIC WORKING LOAD (CYCLE LIFE)

10,000 CYCLES WITH 450N PAWL LOAD

HEAT AND FIRE

FIRE RESISTANCE TEST ACCORDING TO DIN EN 1363-1 AND DIN EN 45545-3, WITH HEAD APPLIED TO THE BOTTOM OF THE SPECIMEN AND EVALUATED ACCORDING TO DIN 13501-2. CLASSIFICATION OF SPECIMENS IS AS FOLLOWS:  
ALUMINUM SPECIMENS PER J-E3-12-13 (22EA): E30

DEFINITIONS

MAXIMUM WORKING LOAD - THE MAXIMUM RECOMMENDED LOAD AFTER ONE TIME APPLICATION AND REMOVAL OF WHICH THE PRODUCT CONTINUES TO FUNCTION PROPERLY.

AVERAGE ULTIMATE LOAD - THE AVERAGE LOAD THAT CAUSES FAILURE OR EXCESSIVE DEFORMATION WHICH RENDERS THE PRODUCT INOPERABLE.

MAXIMUM DYNAMIC WORKING LOAD - THE MAXIMUM RECOMMENDED LOAD AT WHICH THE PRODUCT CONTINUES TO FUNCTION PROPERLY THROUGH ITS INTENDED CYCLE LIFE.

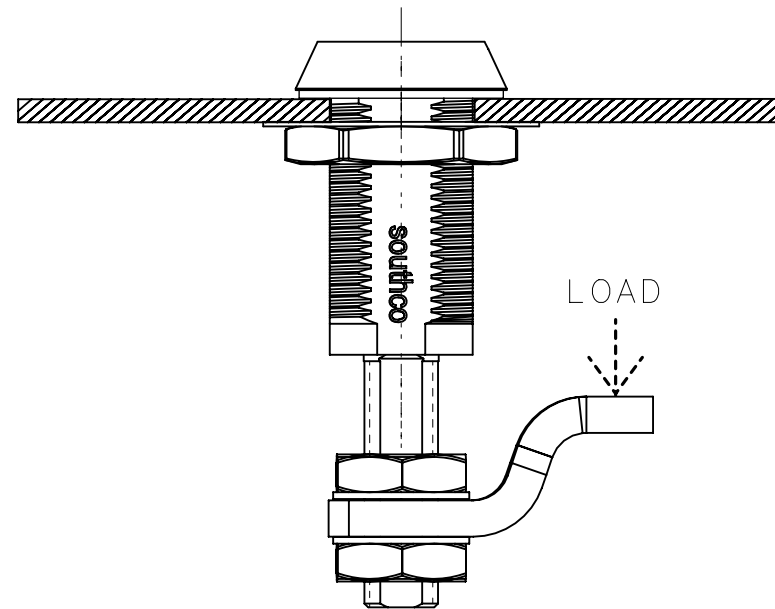
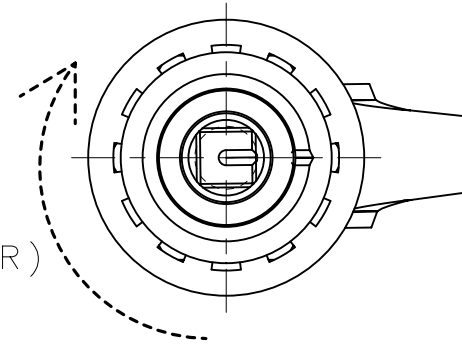
REF: E3-24129, E3-22504, E3-24836, E3-41475  
CPB 2014-0968

REVISION HISTORY			
REV	DATE	BY	DESCRIPTION
C	24MAR2020	MBT/DMS	PRN: P2020-0539


ASSEMBLY PART NUMBERS:

- E3-1XX-X59
- E3-1XX-XX6
- E3-22XX-X59
- E3-22XX-XX6

TORQUE  
(APPLIED TO DRIVER)



8MM SQUARE SHOWN  
(E3-110-259)

	THIRD ANGLE PROJECTION	 CONNECT • CREATE • INNOVATE			
	MILLIMETERS [IN]				
	TOLERANCES UNLESS OTHERWISE NOTED	DESCRIPTION E3 VISE ACTION™ COMPRESSION LATCH ASSEMBLY SINGLE HOLE MOUNT, ADJ GRIP, ALUMINUM			
	PROPRIETARY ITEM	SIZE A4	SYSTEM NX	DWG NO. TD-E3-18-J	
	EXCEPT FOR USES EXPRESSLY GRANTED IN WRITING, INFORMATION DISCLOSED HEREON IS CONFIDENTIAL AND ALL RIGHTS, PATENT AND OTHERWISE, ARE RESERVED BY SOUTHCO, INC.	PER ASME Y14.5M-1994	DRAWN BY BVH	DATE 17FEB2016	SCALE NTS SHEET 1 OF 1