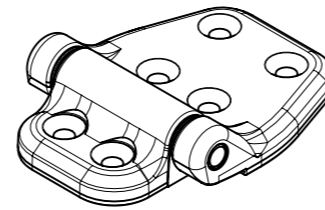
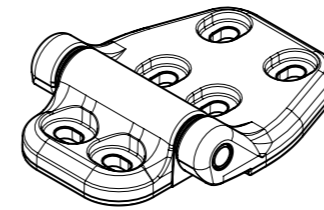


SOUTHCO PERFORMANCE GUIDELINES:  
 THE PERFORMANCE GUIDELINES SHOWN ON THIS PAGE ARE SUPPLIED AS A GENERAL GUIDE ONLY, AS CONDITIONS VARY WITH EACH APPLICATION AND METHOD OF INSTALLATION. STRENGTH DATA GIVEN IS FOR FAILURE OF THE PRODUCT OR FOR SUFFICIENT DEFORMATION TO MAKE THE PRODUCT INOPERABLE. NO SAFETY FACTOR HAS BEEN APPLIED. IT IS RECOMMENDED THAT THE USER REQUEST A PRODUCT SAMPLE FOR TESTING TO DETERMINE SUITABILITY OF THE PRODUCT FOR THE PURPOSE INTENDED AND USERS'S PARTICULAR APPLICATION.

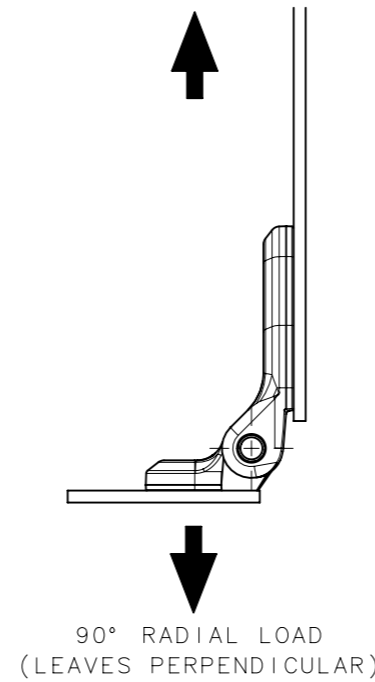
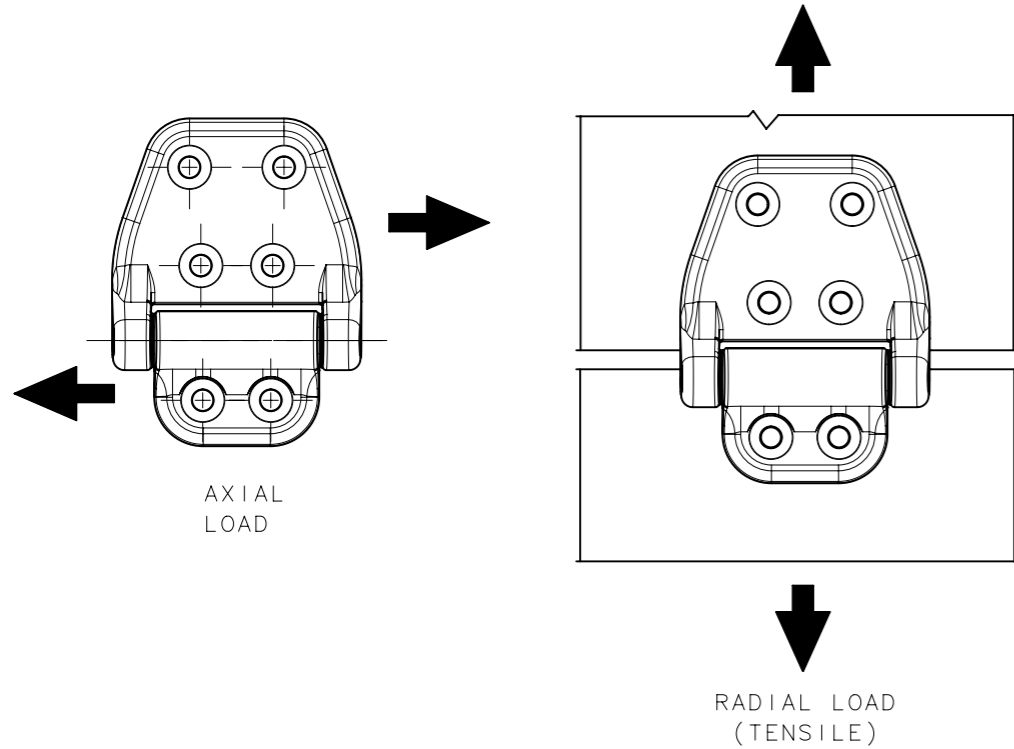
REVISION HISTORY			
REV	DATE	BY	DESCRIPTION
A	22JUN2022	NBK/VK	PRN: P2022-1166



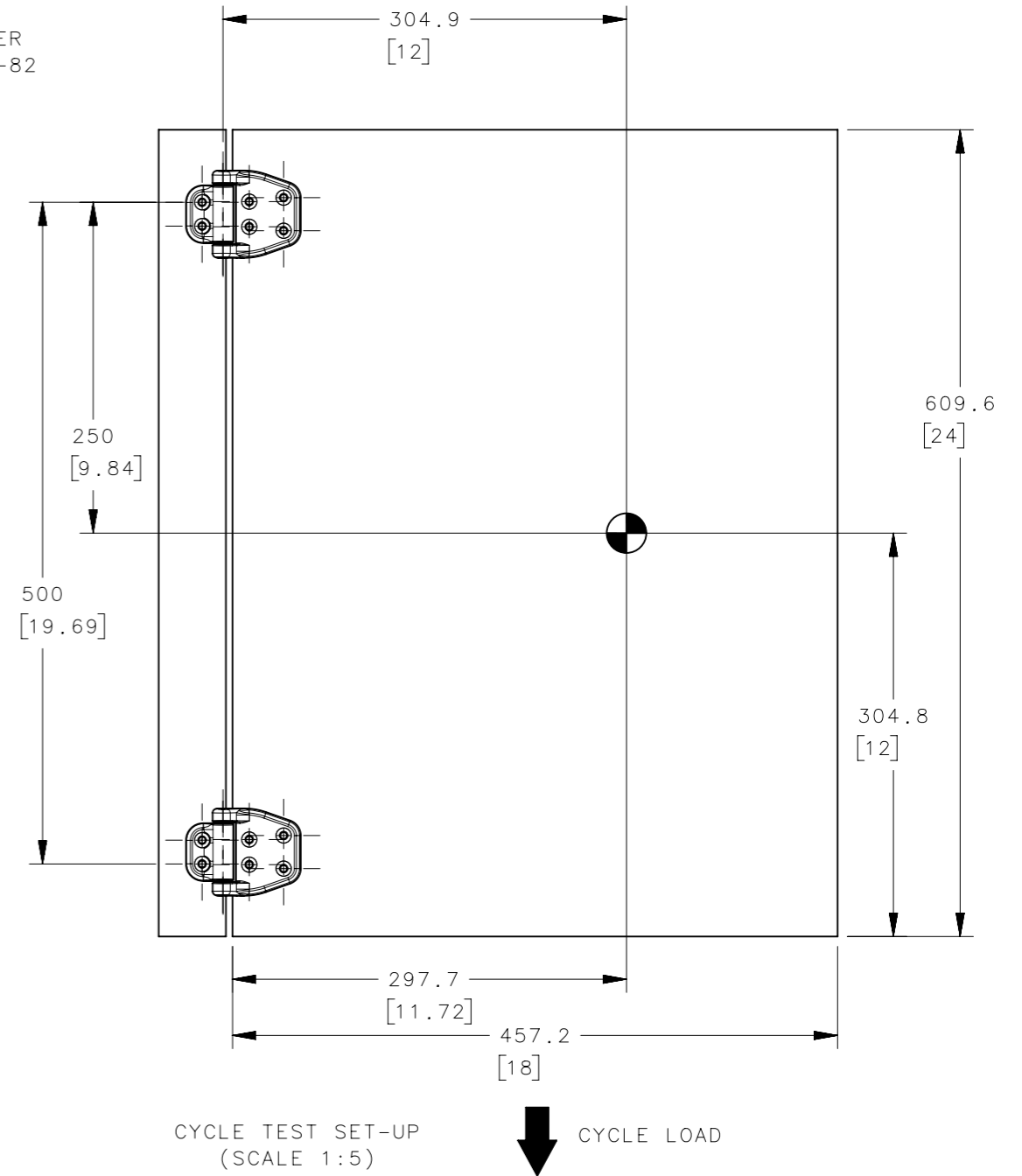
PART NUMBER  
EH-8C-6V8-82



PART NUMBER  
EH-8C-6W8-82



PART NUMBER	CYCLE LIFE @ 222.4 N/ 50 lbf	AVERAGE ULTIMATE RADIAL LOAD @ 0° N (lbf)	AVERAGE ULTIMATE LOAD @ 90 DEGREES N (lbf)	AVERAGE ULTIMATE AXIAL LOAD N (lbf)
EH-8C-6V8-82	5,000 CYCLES	12,272 (2759)	7556 (1698)	3714 (835)
EH-8C-6W8-82		9945 (2236)	5813 (1307)	3062 (688)



NOTES:

A. CYCLE TEST:

TWO HINGES WERE MOUNTED ON A 50 lbfm CABINET DOOR. SAMPLES WERE (ROTATED) CYCLED 180° WITH HINGES ON VERTICAL AXIS. HINGES PASSED 5000 CYCLES WITH NO LOSS OF FUNCTION. HINGES WERE CYCLE TESTED AT AMBIENT TEMPERATURE AND AT THE FOLLOWING TEMPERATURE PROFILE; +23°C AND HINGES CYCLED 10,000 CYCLES AT A TEMPERATURE PROFILE OF -30°C FOR 2,500 CYCLES, +23°C FOR 5000 CYCLES AND +60°C FOR 5000 CYCLES.

B. TEST REPORTS FOR TEST DATA:

trEH-47753 AMBIENT CYCLE TESTS AND ALL LOAD TESTS  
 trEH-48268 TEMPERATURE PROFILE CYCLE TESTS

C. HINGES ULTIMATE LOAD TESTED USING CLASS 12.9 BUTTON HEAD SCREWS FOR EH-8C-6W8-82 HINGES AND CLASS 12.9 FLAT HEAD SCREWS FOR EH-8C-6V8-82 HINGES. ALL SCREWS TORQUED TO 4+/-0.5 N\*m (35.4+/-4.43 lbf\*in) DRY, USING NEW FASTENERS FOR EACH LOAD TEST.

CPB NUMBER 2019-0479	THIRD ANGLE PROJECTION	 CONNECT • CREATE • INNOVATE
	MILLIMETERS [IN]	
SURFACE AREA	TOLERANCES UNLESS OTHERWISE NOTED	DESCRIPTION EH ALUMINUM HINGE ASSEMBLY (COUNTERSUNK HOLES)
VOLUME	UP TO 0.5 ±0.05 OVER 0.5 UP TO 6 ±0.1 OVER 6 UP TO 30 ±0.2 OVER 30 ±0.3 ANGLES ±1°	SIZE SYSTEM DWG NO. A3 NX TD-EH-8C-6V8
PROPRIETARY ITEM EXCEPT FOR USES EXPRESSLY GRANTED IN WRITING, INFORMATION DISCLOSED HEREON IS CONFIDENTIAL AND ALL RIGHTS, PATENT AND OTHERWISE, ARE RESERVED BY SOUTHCO, INC.	PER ASME Y14.5M-1994	DRAWN BY DATE SCALE SHEET GEA 10AUG2021 1:1 1 OF 1