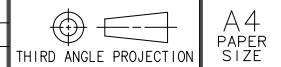


REV	DATE	DRAWN/CHKD	DESCRIPTION
C	4FEB2000	GDM	ADDED -8 FINISH
D	09APR2002	GDM	UPDATE FORMAT



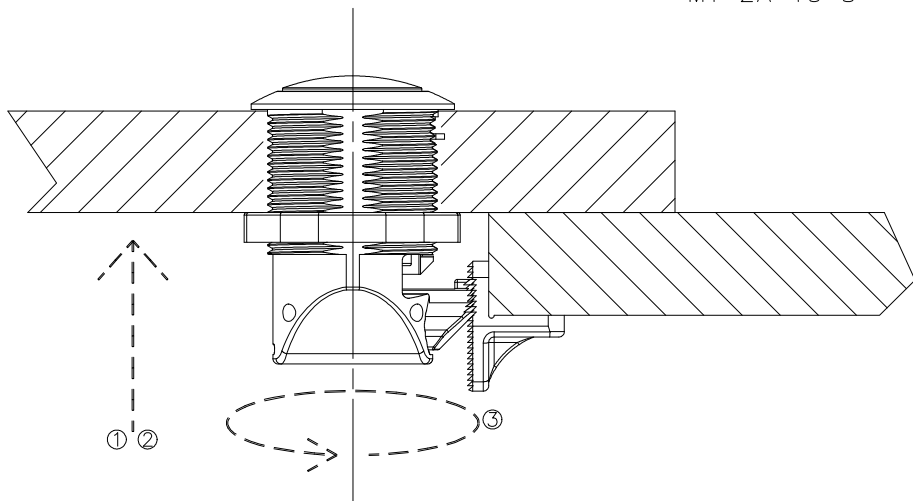
### SOUTHCO PERFORMANCE GUIDELINES

THE PERFORMANCE GUIDELINES SHOWN ON THIS PAGE ARE SUPPLIED AS A GENERAL GUIDE ONLY, AS CONDITIONS VARY WITH EACH APPLICATION AND METHOD OF INSTALLATION. STRENGTH DATA GIVEN IS FOR FAILURE OF THE PRODUCT OR FOR SUFFICIENT DEFORMATION TO MAKE PRODUCT INOPERABLE. NO SAFETY FACTOR HAS BEEN APPLIED. IT IS RECOMMENDED THAT THE USER REQUEST A PRODUCT SAMPLE FOR TESTING TO DETERMINE THE SUITABILITY OF THE PRODUCT FOR THE PURPOSE INTENDED AND USER'S PARTICULAR APPLICATION.

#### SELF-ADJUSTING ASSEMBLY PART NUMBERS

- M1-2A-11-1
- M1-2A-11-5
- M1-2A-11-8
- M1-2A-12-1
- M1-2A-12-5
- M1-2A-12-8
- M1-2A-13-1
- M1-2A-13-5
- M1-2A-13-8

#### FIXED GRIP ASSEMBLY PART NUMBERS



SELF-ADJUSTING ASSEMBLY SHOWN

MAXIMUM WORKING LOAD- THE MAXIMUM RECOMMENDED LOAD AT WHICH THE PRODUCT CONTINUES TO FUNCTION PROPERLY.

AVERAGE ULTIMATE LOAD- THE LOAD THAT CAUSES FAILURE OR EXCESSIVE DEFORMATION WHICH RENDERS THE PRODUCT INOPERABLE.

REF: M1-20, M1-23, M1-26.

- ① MAXIMUM RECOMMENDED WORKING LOAD:  
 SELF-ADJUSTING GRIP 220 N (50 lbf)  
 FIXED GRIP 310 N (70 lbf)
- ② AVERAGE ULTIMATE LOAD:  
 SELF-ADJUSTING GRIP 460 N (100 lbf)  
 FIXED GRIP 780 N (175 lbf)
- ③ MAXIMUM RECOMMENDED TIGHTENING TORQUE FOR MOUNTING NUT:  
 4.2 N·m (37 lbf·in)
- ④ CYCLE LIFE:  
 80C & AMBIENT: GREATER THAN 10,000 CYCLES  
 -30C: GREATER THAN 1,000 CYCLES
- ⑤ SALT SPRAY EXPOSURE PER ASTM B117:  
 GREATER THAN 500 HOURS
- ⑥ ULTRA VIOLET LIGHT EXPOSURE PER ASTM G-53:  
 GREATER THAN 500 HOURS
- ⑦ OPERATING TEMPERATURE RANGE:  
 -30C (-20F) TO 60C (140F)
- ⑧ MAXIMUM SIDE LOAD ON KNOB:  
 1000 N (225 lbf)
- ⑨ MAXIMUM TENSILE LOAD ON KNOB:  
 200 N (45 lbf)
- ⑩ FLAMMABILITY RATING ALL PLASTIC MATERIALS:  
 UL-HB94