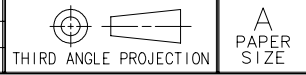
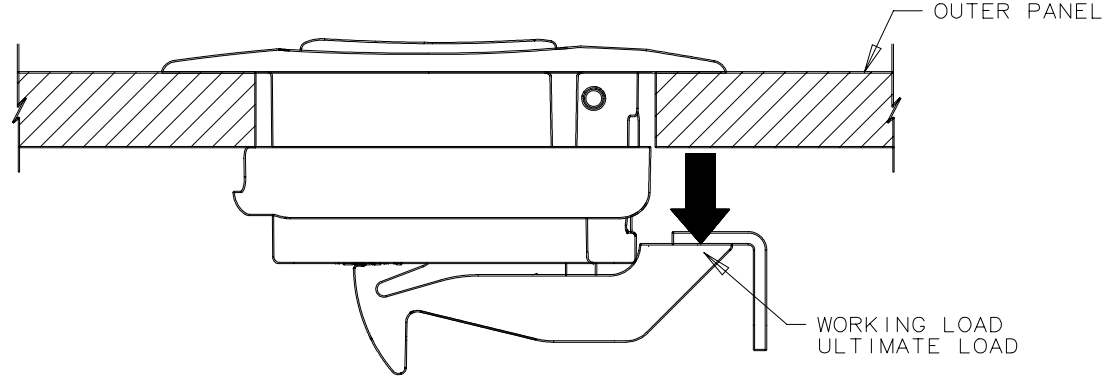


REV	DATE	DRAWN/CHKD	DESCRIPTION										



SOUTHCO PERFORMANCE GUIDELINES
 THE PERFORMANCE GUIDELINES SHOWN ON THIS PAGE ARE SUPPLIED AS A GENERAL GUIDE ONLY, AS CONDITIONS VARY WITH EACH APPLICATION AND METHOD OF INSTALLATION. STRENGTH DATA GIVEN IS FOR FAILURE OF THE PRODUCT OR FOR SUFFICIENT DEFORMATION TO MAKE PRODUCT INOPERABLE. NO SAFETY FACTOR HAS BEEN APPLIED IT IS RECOMMENDED THAT THE USER REQUEST A PRODUCT SAMPLE FOR TESTING TO DETERMINE THE SUITABILITY OF THE PRODUCT FOR THE PURPOSE INTENDED AND USER'S PARTICULAR APPLICATION.



PART NUMBER	MAXIMUM RECOMMENDED WORKING LOAD [Ⓐ]	AVERAGE ULTIMATE LOAD [Ⓑ]
MP-03-1XX-XX0	270 N (60 lbf)	349 N (78 lbf)

- [Ⓐ] WORKING LOAD is the maximum recommended load at which the product continues to function properly.
- [Ⓑ] ULTIMATE LOAD is the load that causes excessive pawl deformation, which renders the product inoperable.