

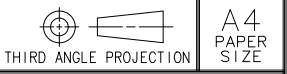


PROPRIETARY ITEM - EXCEPT FOR USES EXPRESSLY GRANTED IN WRITING INFORMATION DISCLOSED HEREON IS CONFIDENTIAL AND ALL RIGHTS PATENT AND OTHERWISE ARE RESERVED BY SOUTHCO, INC.

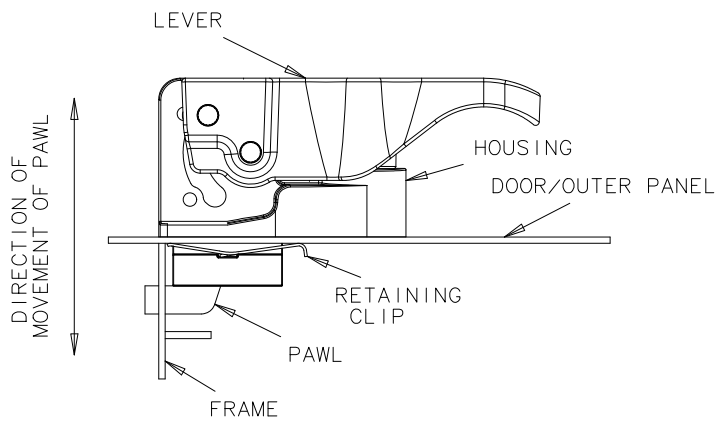
PAWL/CAM ACTION LATCH

DATE	DRAWN	CHKD	SCALE	DRAWING NUMBER
8DEC00	GDM	JC	NTS	TD-P7-01-J

REV	DATE	DRAWN/CHKD	DESCRIPTION					
A	09APR2002	GDM	UPDATE FORMAT					
B	06OCT2016	CMS/JCG	PRN: P2016-2291					



SOUTHCO PERFORMANCE GUIDELINES
 THE PERFORMANCE GUIDELINES SHOWN ON THIS PAGE ARE SUPPLIED AS A GENERAL GUIDE ONLY, AS CONDITIONS VARY WITH EACH APPLICATION AND METHOD OF INSTALLATION. STRENGTH DATA GIVEN IS FOR FAILURE OF THE PRODUCT OR FOR SUFFICIENT DEFORMATION TO MAKE PRODUCT INOPERABLE. NO SAFETY FACTOR HAS BEEN APPLIED. IT IS RECOMMENDED THAT THE USER REQUEST A PRODUCT SAMPLE FOR TESTING TO DETERMINE THE SUITABILITY OF THE PRODUCT FOR THE PURPOSE INTENDED AND USER'S PARTICULAR APPLICATION.



ASSEMBLY PART NUMBERS:

NON TOOL-SECURED	TOOL-SECURED
STYLE	STYLE
P7-1-301-15	P7-1-302-15
P7-1-301-25	P7-1-302-25
P7-1-301-35	P7-1-302-35

AVERAGE ULTIMATE LOAD- THE LOAD THAT CAUSES FAILURE OR EXCESSIVE DEFORMATION WHICH RENDERS THE PRODUCT INOPERABLE. IN MOST CASES THE PAWL BECAME DISENGAGED WITH THE FRAME WITH NO DESTRUCTIVE FAILURE.

MAXIMUM RECOMMENDED HOLDING FORCE- THE MAXIMUM RECOMMENDED FORCE AT WHICH THE PRODUCT CONTINUES TO FUNCTION PROPERLY. VALUES WERE OBTAINED BY SUBTRACTING 4 SIGMA FROM THE AVERAGE ULTIMATE LOAD.

TEST METHOD	AVERAGE ULTIMATE LOAD (N)	STANDARD DEVIATION	MAXIMUM RECOMMENDED HOLDING FORCE (N)
PANEL FORCE REQUIRED ON PAWL TO OVERCOME DETENT (NON TOOL-SECURED STYLE) IN CLOSED POSITION (25°C)	134.57	7.67	103.89
PANEL FORCE REQUIRED ON PAWL TO OVERCOME DETENT (NON TOOL-SECURED STYLE) IN CLOSED POSITION (-10°C)	150.37	7.00	122.37
PANEL FORCE REQUIRED ON PAWL TO OVERCOME DETENT (NON TOOL-SECURED STYLE) IN CLOSED POSITION (40°C)	101.21	4.57	82.93
PANEL FORCE REQUIRED ON PAWL TO OVERCOME LOCKING MECHANISM (TOOL-SECURED STYLE) (25°C)	557.79	15.38	496.27
PANEL FORCE REQUIRED ON PAWL TO OVERCOME LOCKING MECHANISM (TOOL-SECURED STYLE) (-10°C)	592.80	29.39	457.24
PANEL FORCE REQUIRED ON PAWL TO OVERCOME LOCKING MECHANISM (TOOL-SECURED STYLE) (40°C)	384.91	15.52	322.83