

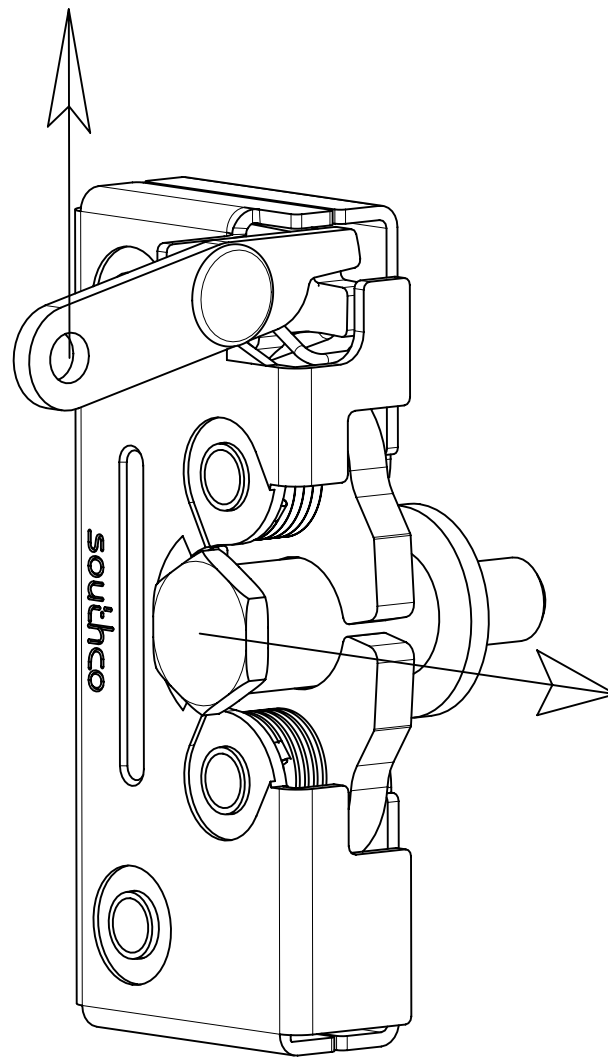
SOUTHCO PERFORMANCE GUIDELINES

THE PERFORMANCE GUIDELINES SHOWN ON THIS PAGE ARE SUPPLIED AS A GENERAL GUIDE ONLY, AS CONDITIONS VARY WITH EACH APPLICATION AND METHOD OF INSTALATION. STRENGHT DATA GIVEN IS FOR FAILURE OF THE PRODUCT OR FOR SUFFICIENT DEFORMATION TO MAKE THE PRODUCT INOPERABLE. NO SAFETY FACTOR HAS BEEN APPLIED. IT IS RECOMMENDED THAT THE USER REQUEST A PRODUCT SAMPLE FOR TESTING TO DETERMINE THE SUITABILITY OF THE PRODUCT FOR THE PURPOSE INTENDED AND USER'S PARTICULAR APPLICATION .

REVISION HISTORY

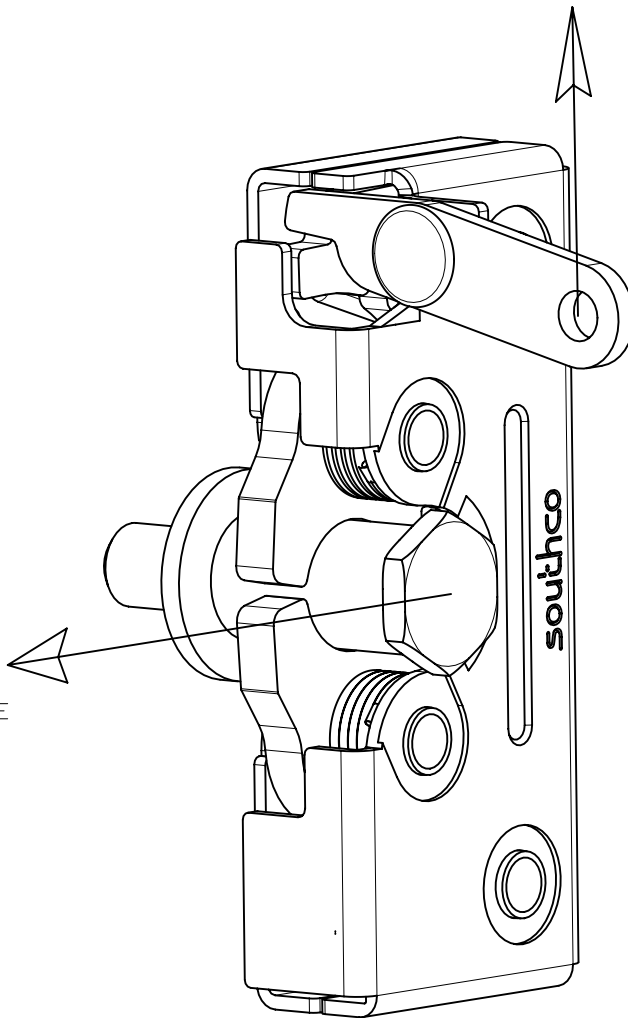
REV	DATE	BY	DESCRIPTION
B	06OCT2011	MJS/MGG	ADDED TRANSVERSE LOADS

DIRECTION OF ACTUATION FORCE



R4-50-4X-101-10
LEFT HAND

DIRECTION OF ACTUATION FORCE



R4-50-3X-101-10
RIGHT HAND

DIRECTION OF TRANSVERSE LOAD AND GASKET FORCE

Performance values for R4-50-XX-101-10

GASKET FORCE	AVERAGE FORCE REQUIRED TO ACTUATE (OPEN) LATCH OVER 110k CYCLES * See Note 3	AVERAGE TRANSVERSE LOAD LATCH WITHOUT STRIKER	AVERAGE TRANSVERSE LOAD STRIKER	CYCLE LIFE * See Notes 3 & 4
222 N (50 LBF)	129 N (29.0 LBF)	18000 N (4047 LBF)	12000 N (2698 LBF)	110000

1. Actuation force tests and cycle tests were performed with part numbers R4-50-30-101-10 and R4-50-40-101-10.
2. Average tensile force before latch failure or striker pull-out complies with FMVSS 206 standard, revision TP-206-06: Tansverse Load Testing.
3. Cycle and tensile tests were performed with the striker at the nominal lateral position for 110000 cycles.
4. Cycle life test used the application of "Slip Plate" lubricant every 25K cycles.

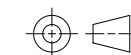
NOTE :

SOUTHCO LATCHES USED IN A PASSENGER RESTRAINT SYSTEM MUST BE FULLY TESTED IN THE DOOR SYSTEM

SOUTHCO R4-50-XX-101-10 LATCHES MAY BE USED IN A CERTIFIED FMVSS 206 DOOR SYSTEM ONLY WHEN USED WITH A SOUTHCO DOOR STRIKER BOLT R4-90-XXXX-10

REF.: trR4-78 AND trR4-8701

THIRD ANGLE PROJECTION



MILLIMETERS [IN]

TOLERANCES UNLESS OTHERWISE NOTED	
SURFACE AREA	XXXXXmm ²
VOLUME	XXXXXmm ³
PROPRIETARY ITEM	
EXCEPT FOR USES EXPRESSLY GRANTED IN WRITING, INFORMATION DISCLOSED HEREON IS CONFIDENTIAL AND ALL RIGHTS, PATENT AND OTHERWISE, ARE RESERVED BY SOUTHCO, INC.	

PER ASME Y14.5M-1994

southco[®]
CONNECT · CREATE · INNOVATE

DESCRIPTION
Push to Close Latch
R4

SIZE B SYSTEM NX DWG NO. TD-R4-50-J

DRAWN BY MJR/CMK DATE 16 FEB 09 SCALE 1:1 SHEET 1 OF 1