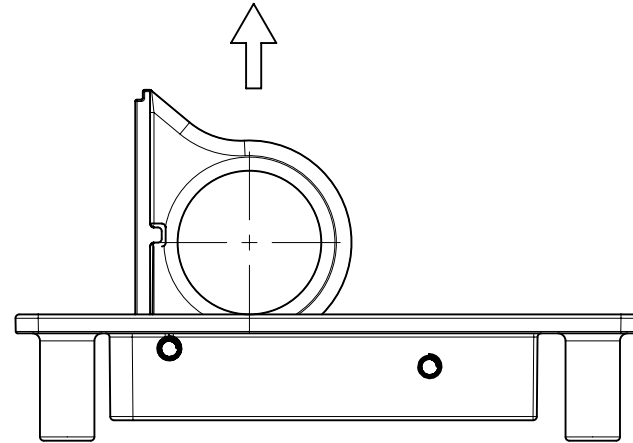


REVISION HISTORY			
REV	DATE	BY	DESCRIPTION
B	9JUN2015	RL/LC	PRN: P2015-1080

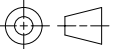


PART NUMBER	MAXIMUM WORKING LOAD	AVERAGE TENSILE LOADING	MAXIMUM RECOMMENDED MOUNTING SCREW TIGHTENING TORQUE
67-12	1100 N (250 lbf)	1800 N(405 lbf)	2.5N.m (22 lbf.in)
67-14	1100 N (250 lbf)	1800 N(405 lbf)	2.5N.m (22 lbf.in)

SOUTHCO PERFORMANCE GUIDELINES

THE PERFORMANCE GUIDELINES SHOWN ON THIS PAGE ARE SUPPLIED AS A GENERAL GUIDE ONLY, AS CONDITIONS VARY WITH EACH APPLICATION AND METHOD OF INSTALLATION. STRENGTH DATA GIVEN IS FOR FAILURE OF THE PRODUCT OR FOR SUFFICIENT DEFORMATION TO MAKE THE PRODUCT INOPERABLE. NO SAFETY FACTOR HAS BEEN APPLIED. IT'S RECOMMENDED THAT THE USER REQUEST A PRODUCT SAMPLE FOR TESTING TO DETERMINE THE SUITABILITY OF THE PRODUCT FOR THE PURPOSE INTENDED AND THE USER'S PARTICULAR APPLICATION.

REF:TR67-20683 & TR67-21602

	THIRD ANGLE PROJECTION 	southco [®] CONNECT • CREATE • INNOVATE	
	MILLIMETERS [IN]		
	TOLERANCES UNLESS OTHERWISE NOTED	DESCRIPTION N/A	
	UP TO 0.5 ±0.05	SIZE A4	SYSTEM NX
	OVER 0.5 UP TO 6 ±0.1	DWG NO. TD-67-2-J	
	OVER 6 UP TO 30 ±0.2	DATE 7APR2015	
	OVER 30 ±0.3	SCALE 1:1	
	ANGLES ±1°	SHEET 1 OF 1	
	PER ASME Y14.5M-1994	DRAWN BY RL/LC	

PROPRIETARY ITEM
EXCEPT FOR USES EXPRESSLY GRANTED
IN WRITING, INFORMATION DISCLOSED
HEREON IS CONFIDENTIAL AND ALL
RIGHTS, PATENT AND OTHERWISE,
ARE RESERVED BY SOUTHCO, INC.