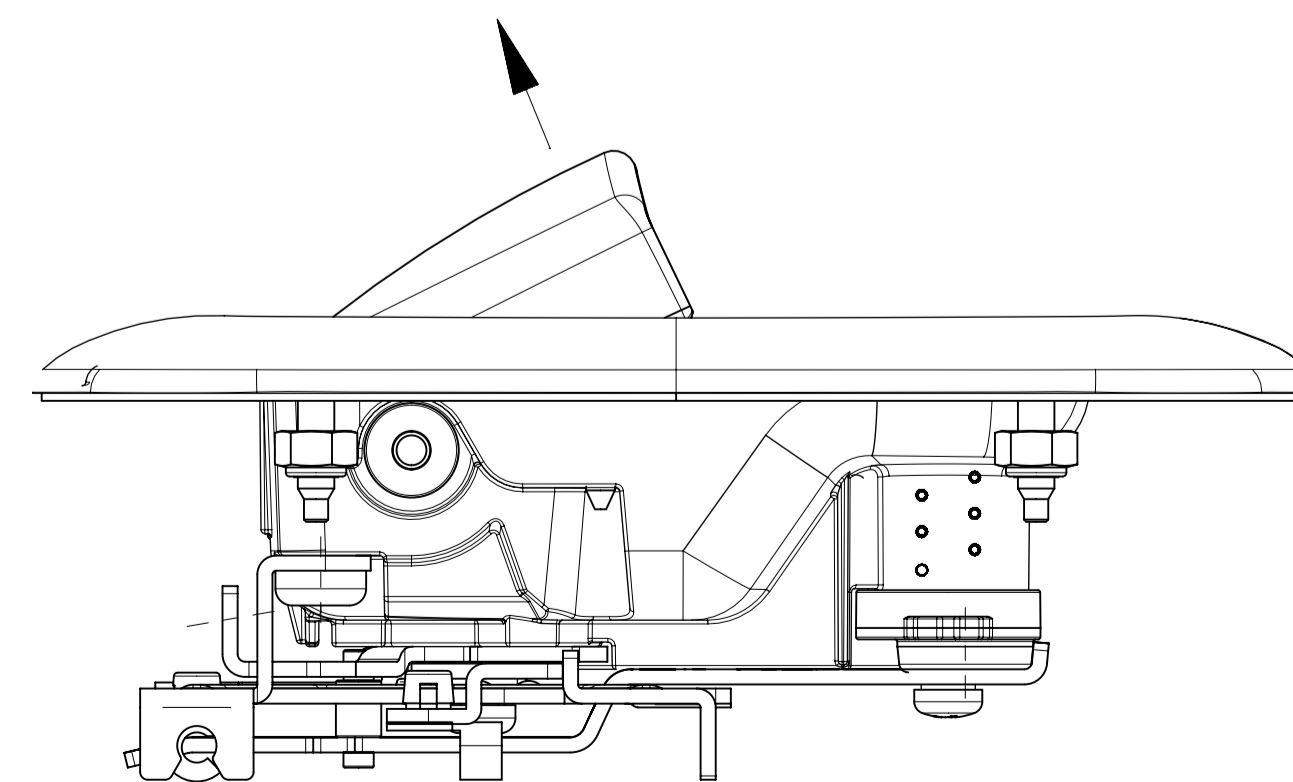


REVISION HISTORY			
REV	DATE	BY	DESCRIPTION
A	08FEB2017	SX/BX	PRN: P2017-0312

THE PERFORMANCE GUIDELINES SHOWN ON THIS PAGE ARE SUPPLIED AS A GENERAL GUIDE ONLY. AS CONDITIONS VARY WITH EACH APPLICATION AND METHOD OF INSTALLATION, STRENGTH DATA IS GIVEN FOR FAILURE OF THE PRODUCT OR FOR SUFFICIENT DEFORMATION TO MAKE THE PRODUCT INOPERABLE. NO SAFETY FACTOR HAS BEEN APPLIED. IT IS RECOMMENDED THAT THE USER REQUEST A PRODUCT SAMPLE FOR TESTING TO DETERMINE THE SUITABILITY OF THE PRODUCT FOR THE PURPOSE INTENDED AND USER'S PARTICULAR APPLICATION.

	AVERAGE ULTIMATE PADDLE STRENGTH	MAXIMUM INSTALLATION TORQUE	CYCLE LIFE AT 50N LOAD FROM CABLE	AVERAGE ACTUATION FORCE TO OPEN AT 50N LOAD FROM CABLE
AC-20	4100N	4.5N-m	40000	77-85N

1. ULTIMATE STRENGTH TESTS WERE PERFORMED WITH PART NUMBER AC-20-321-50.
2. CONSULT SOUTHCO FOR OTHER TECHNICAL DETAILS.



NOTE:  
SOUTHCO ACTUATOR BE TESTED IN SIMULATED FIXTURE  
MUST BE FULLY TESTED IN ACTUAL APPLICATION SYSTEM

TEST REPORT: trAC-23195

DIRECTION OF ULTIMATE PADDLE STRENGTH

THIRD ANGLE PROJECTION				<b>southco</b> CONNECT • CREATE • INNOVATE	
MILLIMETERS [IN]				DESCRIPTION	
TOLERANCES UNLESS OTHERWISE NOTED				ROTARY PADDLE CABLE ACTUATOR	
SURFACE AREA	XXXXXmm <sup>2</sup>	UP TO 0.5	±0.05	SIZE	A1
VOLUME	XXXXXmm <sup>3</sup>	OVER 0.5 UP TO 6	±0.1	SYSTEM	NX
PROPRIETARY ITEM		OVER 6 UP TO 30	±0.2	DWG NO.	TD-AC-20
EXCEPT FOR USES EXPRESSLY GRANTED BY WRITING, INFORMATION DISCLOSED HEREON IS CONFIDENTIAL AND ALL RIGHTS, PATENT AND OTHERWISE, ARE RESERVED BY SOUTHCO, INC.		OVER 30	±0.3	SCALE	1:1
PER ASME Y14.5M-1994		ANGLES	±1°	SHEET	1 OF 2
				DRAWN BY	SX/BX
				DATE	07APR2015