

8

7

6

5

4

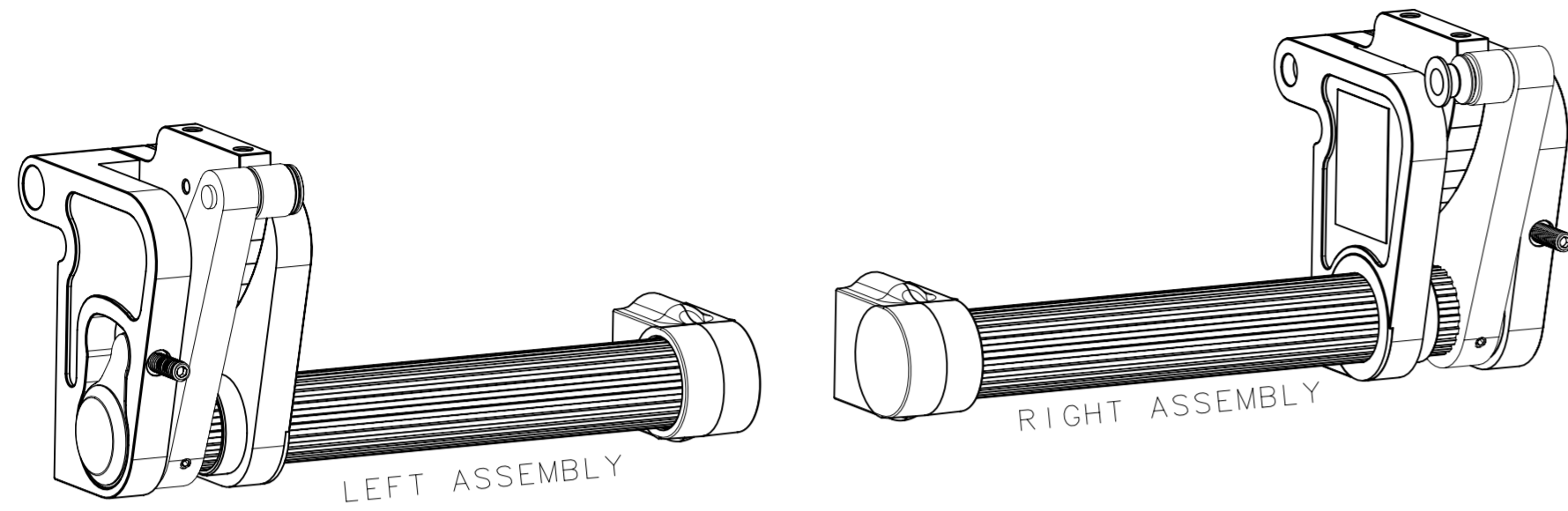
3

2

1

REVISION HISTORY			
REV	DATE	BY	DESCRIPTION
D	05AUG2020	GSF/JDS	PRN: P2020-1261

COUNTERBALANCE SPRING HINGE ASSEMBLIES



LEFT ASSEMBLY

RIGHT ASSEMBLY

TECHNICAL DATA APPLIES TO ASSEMBLY PART NUMBERS IN TABLE 1.1.

IF THE APPLICATION MAKES USE OF A SINGLE COUNTERBALANCE UNIT FOR BALANCING THE MOVING PANEL, THE COUNTERBALANCE SUPPORT HINGE (BELOW) MUST BE USED TO ADD A SECOND HINGE POINT AND RIGIDITY TO THE CANTILEVERED PANEL.

ALL MOUNTING SCREWS M6 X 1

OPTIONAL THIRD MOUNTING HOLE (SEE TABLE 1.3)

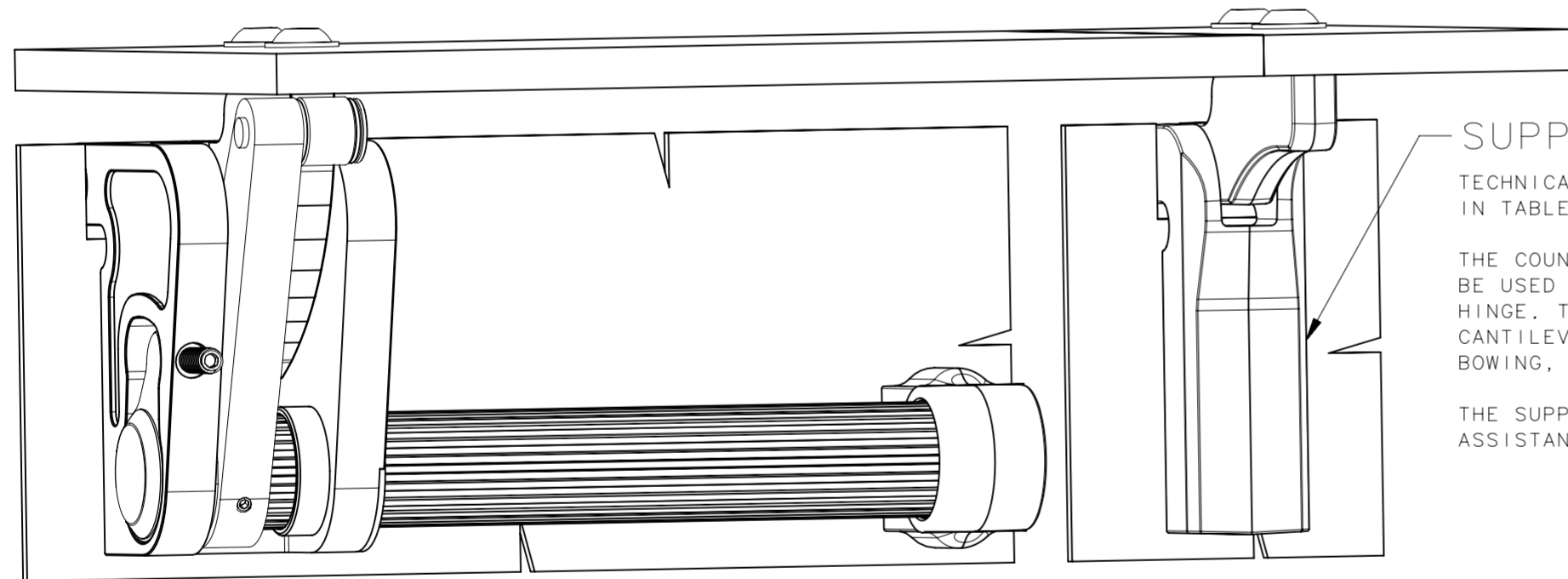
Opening/closing cycle travel = 80 degrees

SCREW LENGTH CALCULATION

THREAD LENGTH = PANEL THICKNESS + 9.5 [.375] **MINIMUM**
 PANEL THICKNESS + 12.7 [.500] **MAXIMUM**
 MAXIMUM INSTALLATION TORQUE 6.8 N-M [60LB-IN]

TABLE 1.1	
ASSEMBLY PART NUMBER	
CB-1X-101-00-10	
CB-1X-102-00-10	
CB-1X-103-00-10	
CB-1X-104-00-10	
CB-2X-101-00-10	
CB-2X-102-00-10	
CB-2X-103-00-10	
CB-2X-104-00-10	
CB-2X-105-00-10	

COUNTERBALANCE SUPPORT HINGE



SUPPORT HINGE ASSEMBLY

TECHNICAL DATA APPLIES TO ASSEMBLY PART NUMBERS IN TABLE 1.2.

THE COUNTERBALANCE SUPPORT HINGE IS DESIGNED TO BE USED ON PANELS UTILIZING A SINGLE COUNTERBALANCE HINGE. THE SUPPORT HINGE PROVIDES RIGIDITY TO THE CANTILEVERED END OF THE PANEL TO RESIST TWISTING, BOWING, ETC.

THE SUPPORT HINGE DOES NOT PROVIDE ANY SPRING ASSISTANCE.

ALL MOUNTING SCREWS M6 X 1
SCREW LENGTH CALCULATION:

THREAD LENGTH = PANEL THICKNESS + 9.5 [.375] **MINIMUM**
 PANEL THICKNESS + 12.7 [.500] **MAXIMUM**
 MAXIMUM INSTALLATION TORQUE 6.8 N-M [60LB-IN]

Opening/closing cycle travel = 80 degrees

NOTES:

- PRODUCT TESTED TO INSURE CYCLE LIFE OF 30,000 CYCLES.
- ONE CYCLE IS DEFINED AS MOTION FROM 0°(CLOSED, HORIZONTAL) POSITION TO 80°OPEN POSITION AND BACK TO 0°.
- TEST DATA FROM THE FOLLOWING SOUTHCO TEST REPORTS:
 trCB-36580
 trCB-40205
 trCB-40206
 trCB-42528
- CYCLE TESTING AT A RATE OF 5 CYCLES/MINUTE OR LESS
- TESTING OF THE COUNTERBALANCE SUPPORT HINGE CB-10-100-10 PERFORMED WITH ONE HINGE PAIRED WITH A CB-21-105-00-10 COUNTERBALANCE HINGE AS SHOWN IN THE VIEW ABOVE.

TABLE 1.2	
ASSEMBLY PART NUMBER	
CB-10-100-10	

CPB NUMBER 2017-0015	THIRD ANGLE PROJECTION		 CONNECT · CREATE · INNOVATE
	MILLIMETERS [IN]		
	TOLERANCES UNLESS OTHERWISE NOTED		DESCRIPTION COUNTERBALANCE CB-XX-XXX-XX-XX
PROPRIETARY ITEM EXCEPT FOR USES EXPRESSLY GRANTED IN WRITING, INFORMATION DISCLOSED HEREON IS CONFIDENTIAL AND ALL RIGHTS, PATENT AND OTHERWISE, ARE RESERVED BY SOUTHCO, INC.	PER ASME Y14.5M-1994	SIZE SYSTEM A2 NX	DWG NO. TD-CB-1
		DRAWN BY GSF	DATE 04JUN2020
		SCALE 1:1	SHEET 1 OF 1

8

7

6

5

4

3

2

1