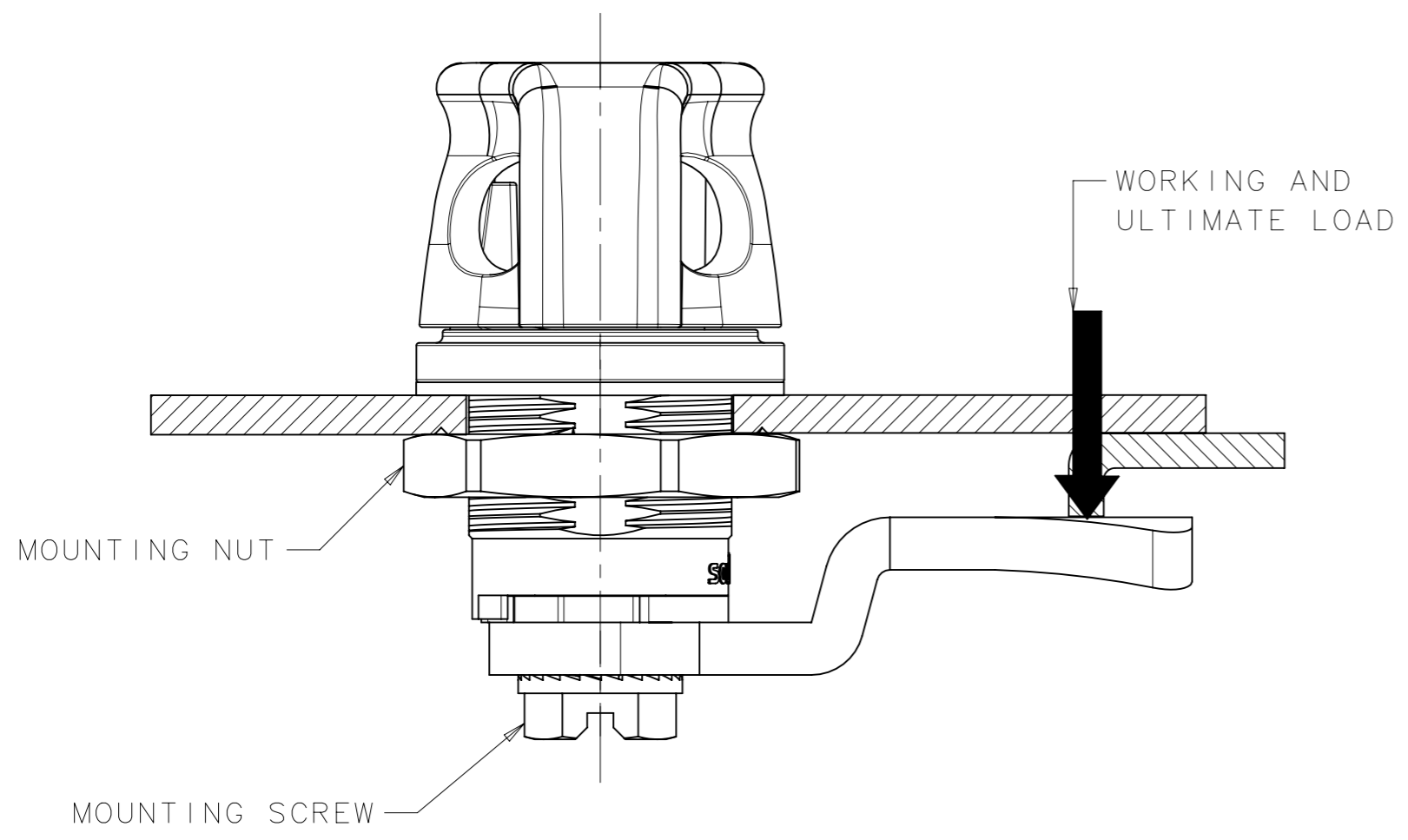


REVISION HISTORY			
REV	DATE	BY	DESCRIPTION
A	04AUG2017	CJ/JQ	PRN: P2017-1860

SOUTHCO PERFORMANCE GUIDELINES

THE PERFORMANCE GUIDELINES SHOWN ON THIS PAGE ARE SUPPLIED AS A GENERAL GUIDE ONLY, AS CONDITIONS VARY WITH EACH APPLICATION AND METHOD OF INSTALLATION. STRENGTH DATA GIVEN IS FOR FAILURE OF THE PRODUCT OR FOR SUFFICIENT DEFORMATION TO MAKE PRODUCT INOPERABLE. NO SAFETY FACTOR HAS BEEN APPLIED. IT IS RECOMMENDED THAT THE USER REQUEST A PRODUCT SAMPLE FOR TESTING TO DETERMINE THE SUITABILITY OF THE PRODUCT FOR THE PURPOSE INTENDED AND USER'S PARTICULAR APPLICATION.



TEST DESCRIPTION	E5-9-5RF-YY1
MAXIMUM STATIC LOAD	330N
AVERAGE ULTIMATE LOAD	450N
MOUNTING NUT TIGHTENING TORQUE	10 N.m
MAXIMUM RECOMMENDED CAM SCREW TIGHTENING TORQUE	5 N.m
CYCLE LIFE	10000 AT 67N

MAXIMUM STATIC LOAD IS THE MAXIMUM RECOMMENDED LOAD AFTER ONE TIME APPLICATION AND REMOVAL OF WHICH THE PRODUCT CONTINUES TO FUNCTION PROPERLY.

REF trE5-29726 , trE5-29796

	THIRD ANGLE PROJECTION	 CONNECT • CREATE • INNOVATE		
	MILLIMETERS [IN]			
SURFACE AREA	mm ²	DESCRIPTION E5 WING KNOB LATCH PADLOCKABLE		
VOLUME	mm ³			
PROPRIETARY ITEM	EXCEPT FOR USES EXPRESSLY GRANTED IN WRITING, INFORMATION DISCLOSED HEREON IS CONFIDENTIAL AND ALL RIGHTS, PATENT AND OTHERWISE, ARE RESERVED BY SOUTHCO, INC.	SIZE A3	SYSTEM NX	DWG NO. TD-E5-9-5-J
	PER ASME Y14.5M-1994	DRAWN BY CJ/JQ	DATE 28JUL2017	SCALE 2:1
				SHEET 1 OF 1