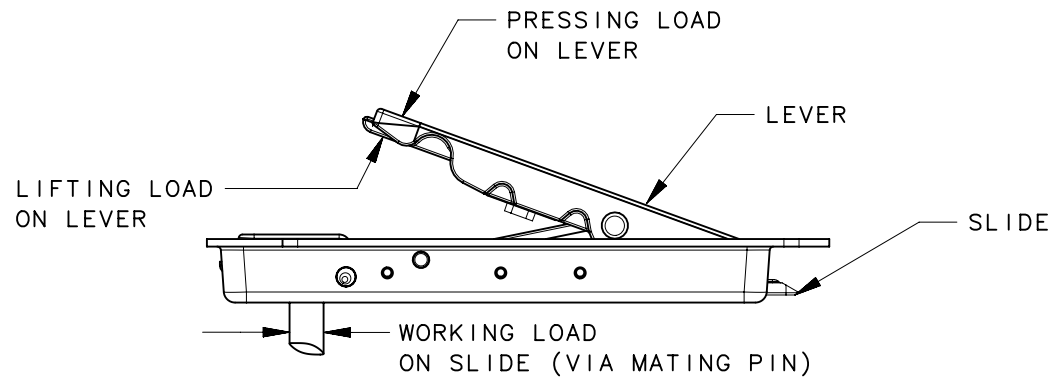


REVISION HISTORY			
REV	DATE	BY	DESCRIPTION
A	02JAN2020	JP/LC	PRN: P2020-0002

- NOTES:
1. WORKING LOAD IS THE MAXIMUM RECOMMENDED LOAD APPLIED ON SLIDE(VIA MATING PIN) AFTER ONE TIME APPLICATION AND REMOVAL OF WHICH THE PRODUCT CONTINUES TO FUNCTION PROPERLY.
 2. ULTIMATE LOAD IS THE LOAD APPLIED ON SLIDE(VIA MATING PIN) THAT CAUSES EXCESSIVE DEFORMATION WHICH RENDERS THE PRODUCT INOPERABLE.
 3. ULTIMATE PRESSING LOAD IS THE LOAD APPLIED ON LEVER THAT CAUSES EXCESSIVE DEFORMATION WHICH RENDERS THE PRODUCT INOPERABLE.
 4. ULTIMATE LIFTING LOAD IS THE LOAD APPLIED ON LEVER THAT CAUSES EXCESSIVE DEFORMATION WHICH RENDERS THE PRODUCT INOPERABLE.
 5. CYCLE LIFE TEST IS PERFORMED WITH 20N MATING FORCE ON THE SLIDE.
 6. LATCHING FORCE IS THE PRESS FORCE ON LEVER WITH 100N MAX WORKING LOAD ON SLIDE.

REF: TRHH-38518, 38939, 40223, 40580



ASSEMBLY PART NUMBER	MAX RECOMMENDED WORKING LOAD ON SLIDE N ①	AVERAGE ULTIMATE LOAD ON SLIDE N ②	AVERAGE ULTIMATE PRESSING LOAD ON LEVER N ③	AVERAGE ULTIMATE LIFTING LOAD ON LEVER N ④	CYCLE LIFE CYCLES ⑤	AVERAGE LATCHING FORCE ON LEVER N ⑥
HH-5X-X-XXX	100	250	85	300	300	28

SOUTHCO PERFORMANCE GUIDELINES
 THE PERFORMANCE GUIDELINES SHOWN ON THIS PAGE ARE SUPPLIED AS A GENERAL GUIDE ONLY, AS CONDITIONS VARY WITH EACH APPLICATION AND METHOD OF INSTALLATION. STRENGTH DATA GIVEN IS FOR FAILURE OF THE PRODUCT OR FOR SUFFICIENT DEFORMATION TO MAKE THE PRODUCT INOPERABLE. NO SAFETY FACTOR HAS BEEN APPLIED. IT IS RECOMMENDED THAT THE USER REQUEST A PRODUCT SAMPLE FOR TESTING TO DETERMINE THE SUITABILITY OF THE PRODUCT INTENDED AND USER'S PARTICULAR APPLICATION.

CPB NUMBER 2018-1260	THIRD ANGLE PROJECTION 	 CONNECT • CREATE • INNOVATE	
	MILLIMETERS [IN]		
SURFACE AREA XXXXXmm ²	TOLERANCES UNLESS OTHERWISE NOTED	DESCRIPTION HOOD LATCH TEST DATA SHEET	
VOLUME XXXXXmm ³	ALL DIMENSIONS WITHOUT TOLERANCES ARE FOR REFERENCE ONLY.	SIZE A4	SYSTEM NX
PROPRIETARY ITEM EXCEPT FOR USES EXPRESSLY GRANTED IN WRITING, INFORMATION DISCLOSED HEREON IS CONFIDENTIAL AND ALL RIGHTS, PATENT AND OTHERWISE, ARE RESERVED BY SOUTHCO, INC.	PER ASME Y14.5M-1994	DWG NO. TD-HH-50-J	
	DRAWN BY JP/LC	DATE 02JAN2020	SCALE 1:1
			SHEET 1 OF 1